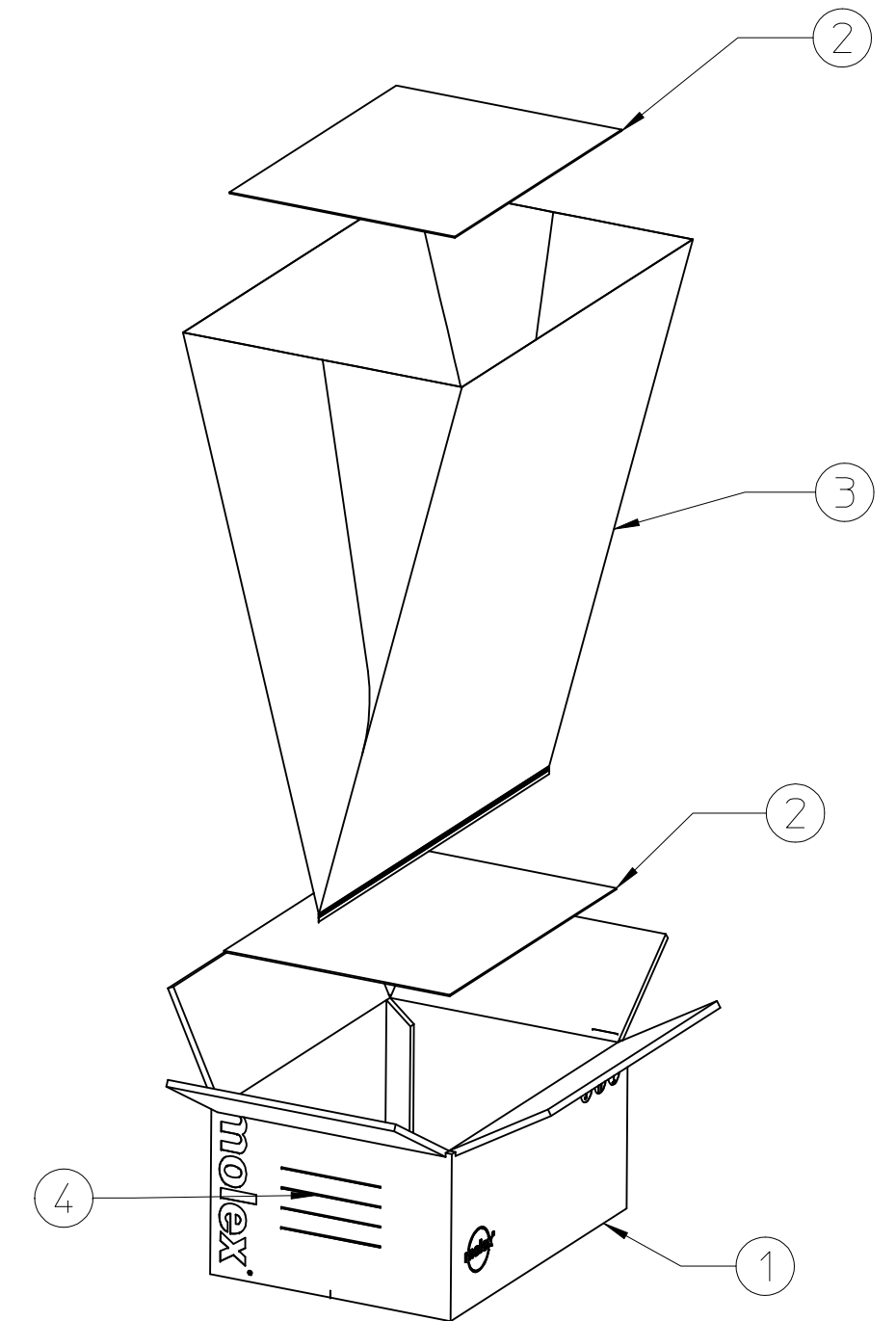
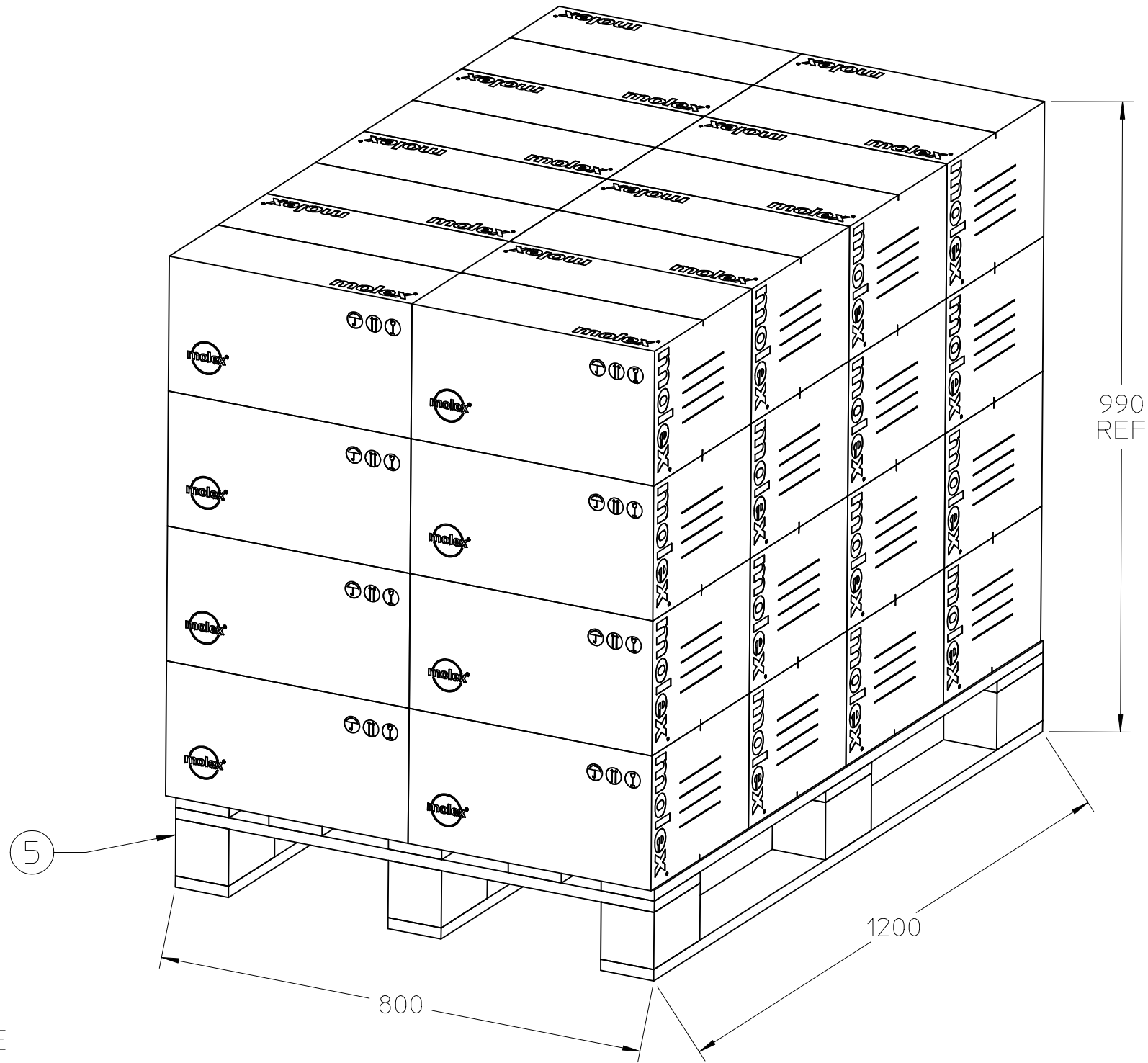


PACKAGING DATA				
P/N	NO. CIRCUITS	COLOR	SPQ	MAX QTY/PALLET
098982 2110	10	GREEN	5500	176000
098982 2116		BLUE		
098982 5155		GREEN		
098982 5156		BLUE		
098982 2120	18	GREEN	2700	86400
098982 2126		BLUE		
098982 5055		GREEN		
098982 5056		BLUE		
098982 1010	20	NATURAL	4000	128000
098982 1015		GREEN		
098982 1016		BLUE		
098982 1019		BROWN		
098982 2015		GREEN		
098982 2019		BROWN		
098982 2115	GREEN	1600	51200	
098982 2130	GREEN			
098982 2136	BLUE			
098982 3130	GREEN			
098982 3136	BLUE			
098982 5065	GREEN			
098982 5066	BLUE			

PACKAGING BILL OF MATERIAL (EXCEPT 20 AND 36 CKT)					BILL OF MATERIAL (36 CKT)		BILL OF MATERIAL (20 CKT)	
ITEM NO.	MATERIAL NO.	DESCRIPTION	QTY/ PACK	MAX. QTY/ PALLET	QTY/ PACK	MAX. QTY/ PALLET	QTY/ PACK	MAX. QTY/ PALLET
①	0983010021 0477991055(CD)	CARTON	1	32	1	32	1	32
②	0982990022 0477994040(CD)	LAYER PAD	2	64	2	64	2	64
③	0477995012	LINER BAG	1	32	1	32	N/A	N/A
④	---	LABEL	1	32	1	32	1	32
⑤	---	PLYWOOD PALLET	N/A	1	N/A	1	N/A	1
⑥	0477995046	BUBBLE SHEET	N/A	N/A	2	64	N/A	N/A



NOTES :

- 1) FOLD CARTON AND SEAL BOTTOM FLAPS CLOSED WITH TAPE
- 2) PLACE (1) LAYER PAD (FOR 36 CKT ONLY) AND (1) BUBBLE SHEET IN BOTTOM OF CARTON
- 3) PLACE LINER BAG IN CARTON
- 4) PACK MODULES INTO LINER BAG PER QUANTITY IN CHART
- 5) FOLD OVER LINER BAG
- 6) PLACE (1) BUBBLE SHEET (FOR 36 CKT ONLY) AND (1) LAYER PAD IN TOP OF LINER BAG
- 7) FOLD CARTON TOP FLAPS AND SEAL CLOSED WITH TAPE
- 8) APPLY LABEL AS REQUIRED AND CUSTOMER REQUIREMENTS
- 9) IF QUANTITIES PERMIT, LOAD CARTONS TO PALLET AS SHOWN (8) CARTONS/ LAYER, MAX (4)LAYERS / PALLET

P/N ADDED EC NO: G2017-0064 DRWN:GDEBRUERES 2017/02/23 CH'KD:CBOUCHAN 2017/02/27 APPR:SLAFAURE 2017/04/24	QUALITY SYMBOLS 	GENERAL TOLERANCES (UNLESS SPECIFIED)		DIMENSION STYLE MM ONLY		SCALE 1:8	DESIGN UNITS METRIC	THIRD ANGLE PROJECTION		
		4 PLACES	± ---	± ---	DRAWN BY JNORTHRO	DATE 2014/12/01	TITLE PACKAGING SPECIFICATION MOX RCPT MODULES 10, 18, 20 & 36 CKT			
		3 PLACES	± ---	± ---	CHECKED BY	DATE				
		2 PLACES	± ---	± ---	APPROVED BY JNORTHRO	DATE 2015/01/09	molex DOCUMENT NO. PK-98982-002 SHEET NO. 1 OF 1			
1 PLACE	± ---	± ---	MATERIAL NO.							
0 PLACE	± ---	± ---	DRAFT WHERE APPLICABLE MUST REMAIN WITHIN DIMENSIONS		SEE TABLE		THIS DRAWING CONTAINS INFORMATION THAT IS PROPRIETARY TO MOLEX INCORPORATED AND SHOULD NOT BE USED WITHOUT WRITTEN PERMISSION			