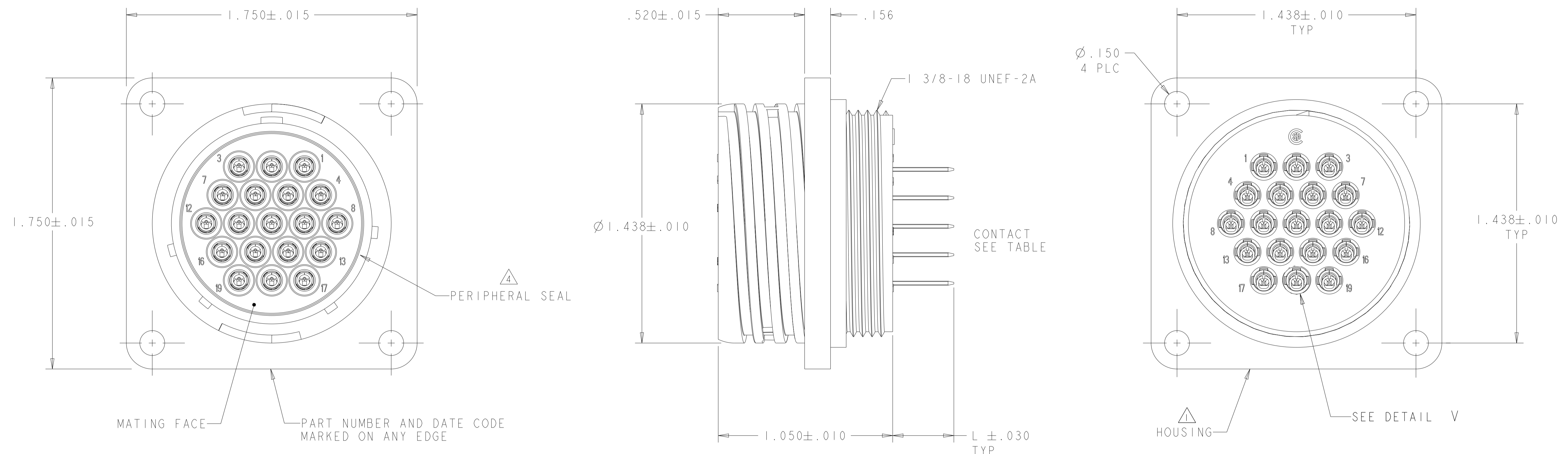


REVISIONS				
P	LTN	DESCRIPTION	DATE	OWN APVD
	P1	REVISED PER ECR-22-144105	29JUN2022	RK MZ



- ① HOUSING: NYLON, UL 94 V-0 RATED, COLOR: BLACK.
- ② CONTACT:
BODY - BRASS, .000030 MIN GOLD FOR A LENGTH OF .200 MIN FROM MATING END, GOLD FLASH ON REMAINDER, BOTH OVER .000050 MIN NICKEL.
POST - BRASS, .000100 MIN TIN-LEAD OVER .000050 MIN NICKEL.
- ③ CONTACT:
BODY - BRASS, .000100 MIN TIN-LEAD OVER .000050 MIN NICKEL.
POST - BRASS, .000100 MIN TIN-LEAD OVER .000050 MIN NICKEL.
- ④ PERIPHERAL SEAL: ELASTOMER, COLOR: BLACK.
- ⑤ .009 MAXIMUM CONTACT LEAD-IN SEAM GAP PERMISSIBLE ON MATING FACE END.
- ⑥ CONTACT:
BODY - BRASS, .000030 MIN GOLD OVER .000030 MIN NICKEL.
POST - BRASS, .000100 MIN TIN-LEAD OVER .000050 MIN NICKEL.
- ⑦ CONTACT:
BODY - BRASS, .000100 MIN TIN OVER .000050 MIN NICKEL.
POST - BRASS, .000100 MIN TIN OVER .000050 MIN NICKEL.
- ⑧ CONTACT:
BODY - BRASS, .000030 MIN GOLD FOR A LENGTH OF .200 MIN FROM MATING END, GOLD FLASH ON REMAINDER, BOTH OVER .000050 MIN NICKEL.
POST - BRASS, .000100 MIN TIN OVER .000050 MIN NICKEL.
- ⑨ OBSOLETE PARTS: OBSOLETE CIS STREAMLINING PER D.RENAUD/D.SINISI

	YES	.368	⑧	1-4,7,8,10-12,14-19	1-213781-0
OBSOLETE	NO	.557	⑧	ALL	1-213781-9
OBSOLETE	NO	.348	⑦	ALL	1-213781-8
	YES	.368	⑦	1-4,7,8,10-12,16-19	213781-7
⑨ OBSOLETE	YES	.368	⑥	1-4,7,8,10-12,16-19	1-213781-6
OBSOLETE	YES	.368	③	1-4,7,8,10-12,16-19	1-213781-5
OBSOLETE	YES	.368	③	1-4,7,8,10-12,16-19	1-213781-4
	YES	.368	③	1-4,7,8,10-12,16-19	213781-2
OBSOLETE	NO	.557	②	ALL	1-213781-1
	PERIPHERAL SEAL	L	CONTACT FINISH	SELECT LOADED IN POSITIONS	PART NUMBER

THIS DRAWING IS A CONTROLLED DOCUMENT.

DIMENSIONS: INCHES	TOLERANCES UNLESS OTHERWISE SPECIFIED:	0 PLC ±.0	1 PLC ±.00	2 PLC ±.00	3 PLC ±.000	4 PLC ±.0000	ANGLES ±.0000	FINISH
-----------------------	--	-----------	------------	------------	-------------	--------------	---------------	--------

OWN S. WELDON ZIMAY2003	CHK S. HEADER ZIMAY2003	APVD S. HEADER ZIMAY2003	NAME
PRODUCT SPEC 108-10024			APPLICATION SPEC 114-10038
MATERIAL		WEIGHT	CUSTOMER DRAWING

TE Connectivity

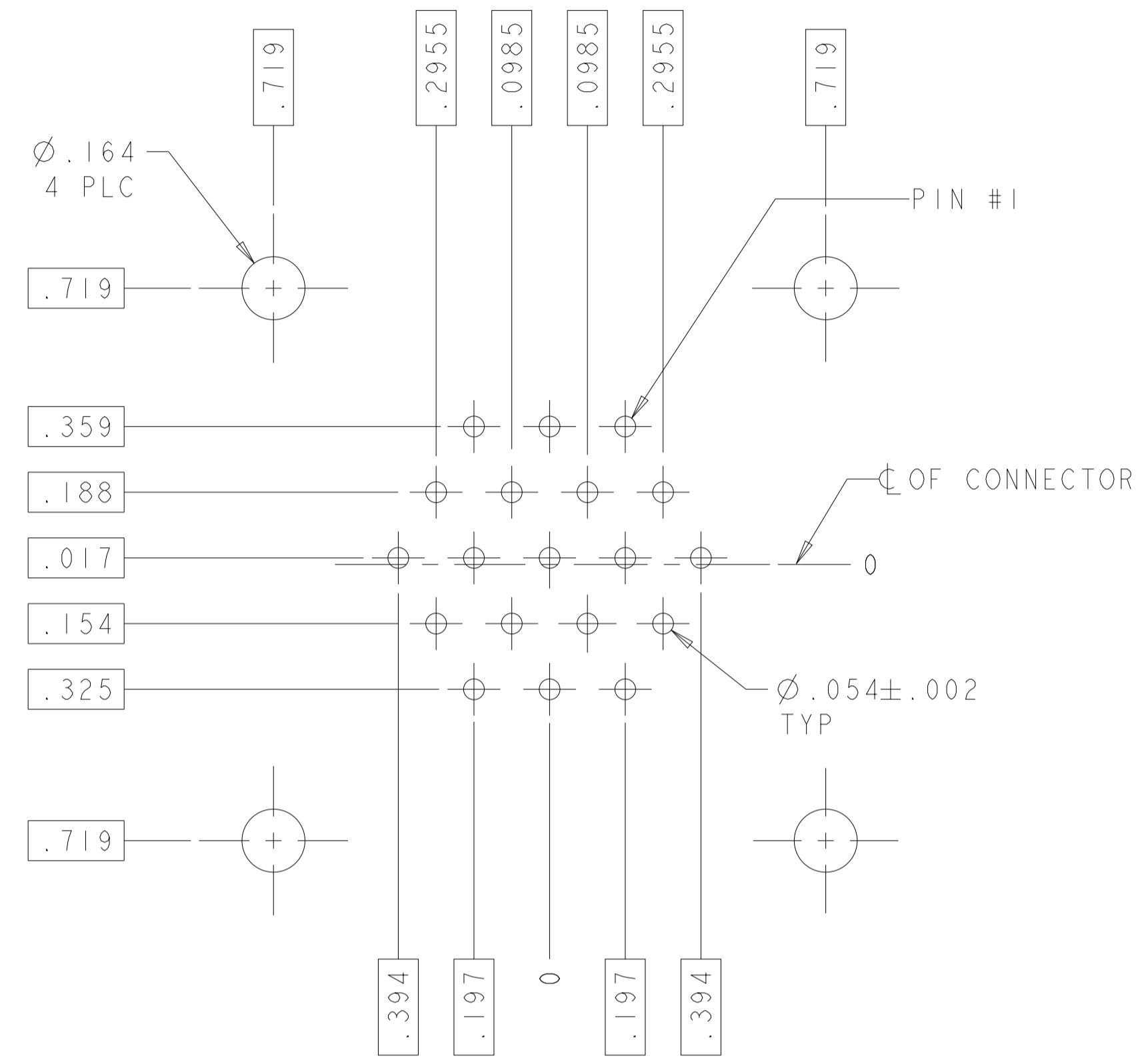
RECEPTACLE ASSEMBLY, POSTED, REVERSE SEX, SERIES 1, 23-19, CPC

SIZE CAGE CODE DRAWING NO RESTRICTED TO

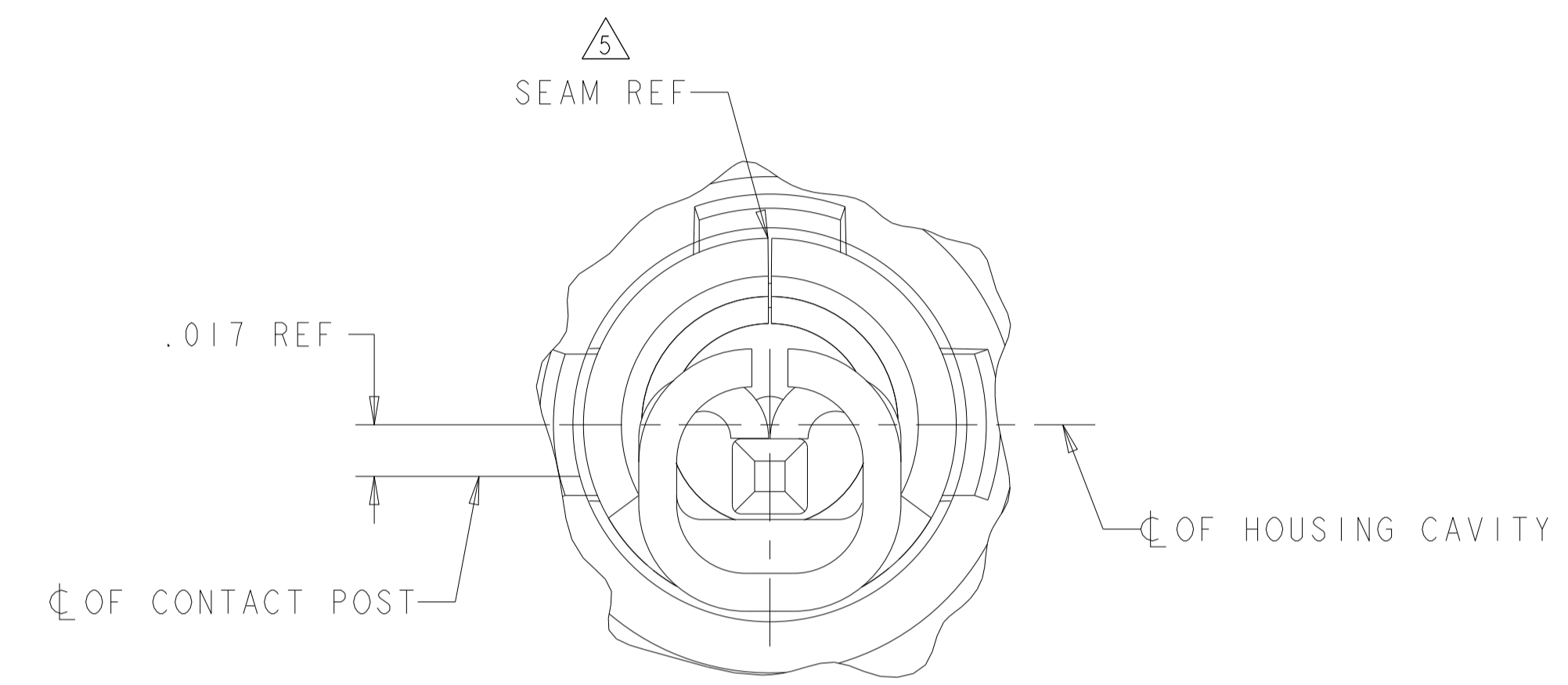
A 00779 C=213781

SCALE 3:1 SHEET 1 OF 2 REV P1

REVISIONS				
P	LTN	DESCRIPTION	DATE	APVD
-		SEE SHEET 1	-	-



RECOMMENDED PC BOARD LAYOUT



DETAIL V
SCALE 20:1

THIS DRAWING IS A CONTROLLED DOCUMENT.		DWN S. WELDON ZIMAY2003	
DIMENSIONS: INCHES		CHK S. HEADER ZIMAY2003	
TOLERANCES UNLESS OTHERWISE SPECIFIED:		APVD S. HEADER ZIMAY2003	NAME RECEPTACLE ASSEMBLY, POSTED, REVERSE SEX, SERIES 1, 23-19, CPC
0 PLC ±.0	1 PLC ±0.0	PRODUCT SPEC 108-10024	SIZE CAGE CODE DRAWING NO RESTRICTED TO
2 PLC ±0.00	3 PLC ±0.000	APPLICATION SPEC 114-10038	A 00779 C=213781
4 PLC ±0.0000	ANGLES ±.0000	WEIGHT	SCALE 3:1 SHEET 2 OF 2 REV P1
MATERIAL	FINISH	CUSTOMER DRAWING	