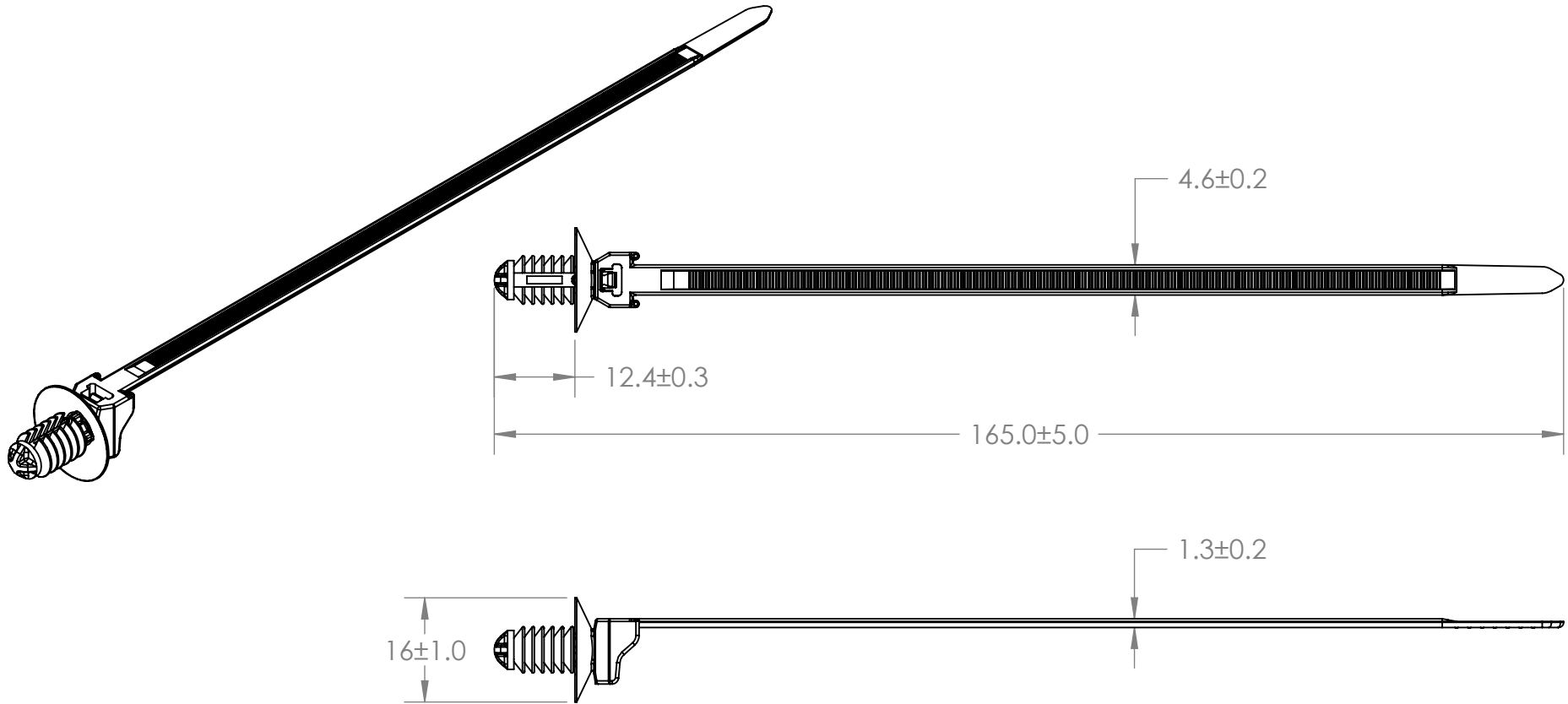


SW2009



Revision level		Revision Record	Changed	Date	Approved	Date
Drawing	Part					
04	-	SEE ECN# 011651	TJM	10/1/2010	TJM	10/01/2010



04

Material
PA66HS, PA66HIRHSUV

1.0 to 35.0	180	6.3-7.0	0.7-7.0
Bundle ϕ Range	Min Loop Tensile Strength (Newtons)	Mounting Hole Size	Panel Thickness Range
PERFORMANCE SPECIFICATIONS			

Units millimeters

Dimension without tolerances details to:

- .xxxx = ±.0025
- .xxx = ±.013
- .xx = ±.13
- .x = ±.3
- None = ±.8
- ∠ = ±0.5°

The copyright of this drawing is reserved by HellermannTyton. It is issued on condition that it is not reproduced, copied, or disclosed to a third party, either wholly or in part, without the consent of HellermannTyton.

Drawn	AAC	7/12/2010	Article/Type-No	T50SOSFT6LGE	Scale	1:1
Approved	TJM	10/01/2010	Title	T50SOSFT6LG-E T50S OUTSIDE SERRATED WITH FIR TREE	Project Number	PRP09-0334
HellermannTyton North America Email: corp@htamericas.com Web: www.hellermann.tyton.com			Drawing-No	Production : Phase	Format	AH
			CT09-0334-003CST		Sheet	1/1