

THIS DRAWING IS UNPUBLISHED. RELEASED FOR PUBLICATION 2008  
 © COPYRIGHT 2008 BY TYCO ELECTRONICS CORPORATION. ALL RIGHTS RESERVED.

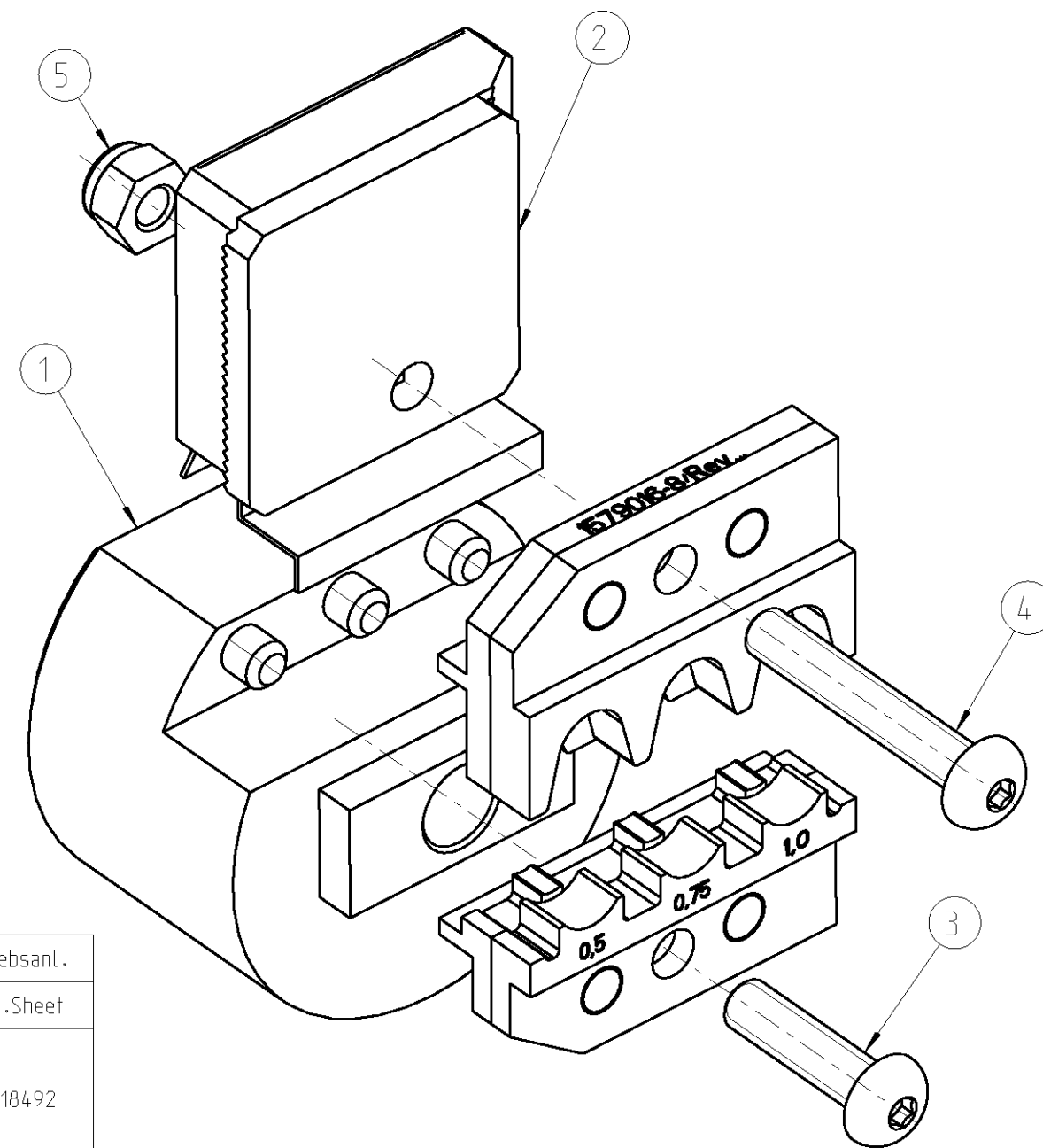
LOC	DIST	REVISIONS					
		P	LTR	DESCRIPTION	DATE	DWN	APVD
AI	-	-	-		-	-	-

ERGOCRIMP DIE SET FOR  $\varnothing$  4 mm SOCKET CONTACT 0,5-1,0 mm<sup>2</sup> SWS  
 ERGOCRIMP-Matrize fuer  $\varnothing$  4 mm Buchsenkontakt 0,5-1,0 mm<sup>2</sup> EDS

Matrize in Kombination mit Ergocrimp Basishandzange TE P/N 539635-1 verwenden  
 Use die in combination with Ergocrimp basis hand tool TE P/N 539635-1

Matrize im Karton mit Bedienungsanleitung 411-18492 verpackt  
 Die packed in a cardboard with instruction sheet 411-18492

1579016-8	1	8-0744013-5	Instruction Sheet	Bedienungsanleitung	6
	1	0-0519024-2	Nut M4 DIN 985	Mutter M4 DIN 985	5
	1	1-0519151-3	Screw M4x25	Schraube M4x25	4
	1	1-0519151-1	Screw M4x16	Schraube M4x16	3
	1	2-1579025-3	Locator Assembly	Drahtanschlag	2
	1	1-1579025-9	Contact Locator	Kontaktpositionierer	1
	QTY Stck	TE P/N	Description	Benennung	Pos.



Kontakt	DGB (mm <sup>2</sup> )	Drahtcrimp / Wire Crimp		Isolationscrimp/Insulationcrimp		Isol. $\varnothing$	Betriebsanl.
Contact	Wire Range	Hoehe/Height mm	Breite/Width mm	Hoehe/Height mm	Breite/Width mm	Ins.Range	Instr.Sheet
962953	0,50	1,26 $\pm$ 0,05	2,03 F	6,35 $\pm$ 0,1	6,35 0	1,4-1,6	411-18492
	0,75	1,34 $\pm$ 0,05		6,35 $\pm$ 0,1		1,7-1,9	
	1,00	1,43 $\pm$ 0,05		6,35 $\pm$ 0,1		1,9-2,1	

<small>THIS DRAWING IS A CONTROLLED DOCUMENT FOR TYCO ELECTRONICS CORPORATION                  IT IS SUBJECT TO CHANGE AND THE CONTROLLING ENGINEERING ORGANIZATION                  SHOULD BE CONTACTED FOR THE LATEST REVISION.</small>		DWN	14MAY2008		tyco Electronics AMP GmbH D - 64625 Bensheim
DIMENSIONS:		CHK	-		
mm		APVD	-		ERGOCRIMP DIE SET FOR $\varnothing$ 4 mm SOCKET CONTACT 0,5-1,0 mm <sup>2</sup> SWS
		PRODUCT SPEC	-		
TOLERANCES UNLESS OTHERWISE SPECIFIED:		APPLICATION SPEC	-		RESTRICTED TO
0 PLC $\pm$ 1 PLC $\pm$ 2 PLC $\pm$ 3 PLC $\pm$ 4 PLC $\pm$ ANGLES $\pm$ 1°		WEIGHT	200 g		SCALE
MATERIAL - FINISH -		CUSTOMER DRAWING		SCALE	2:1
				SHEET	1 OF 1
				REV	A