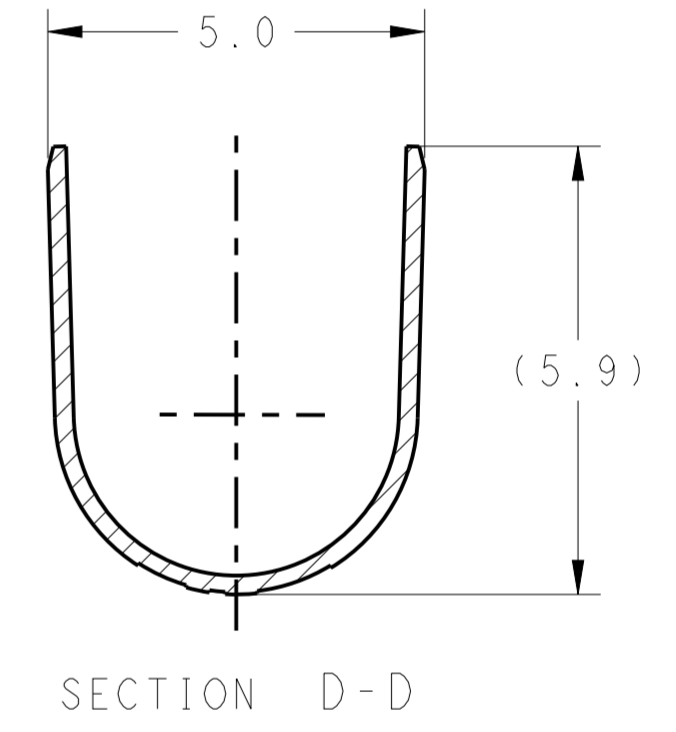
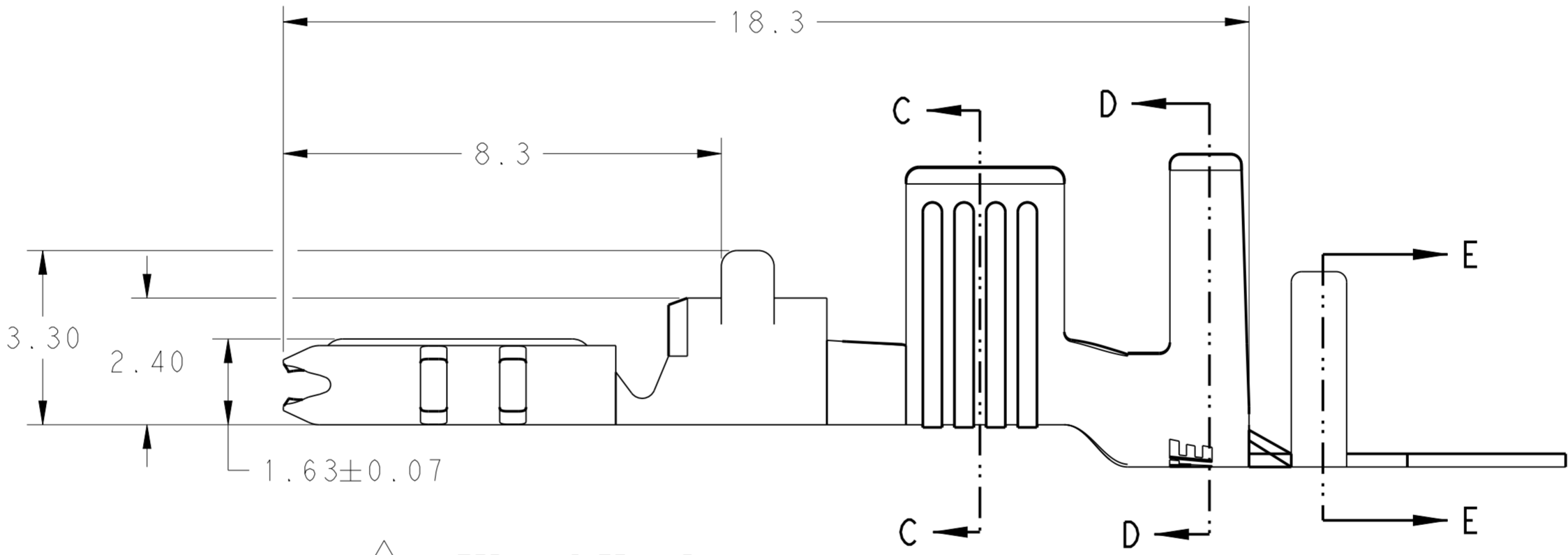
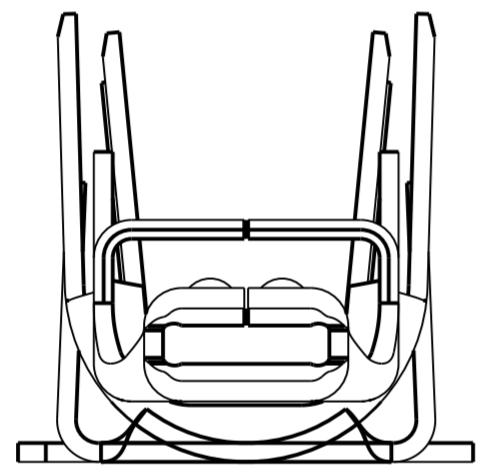
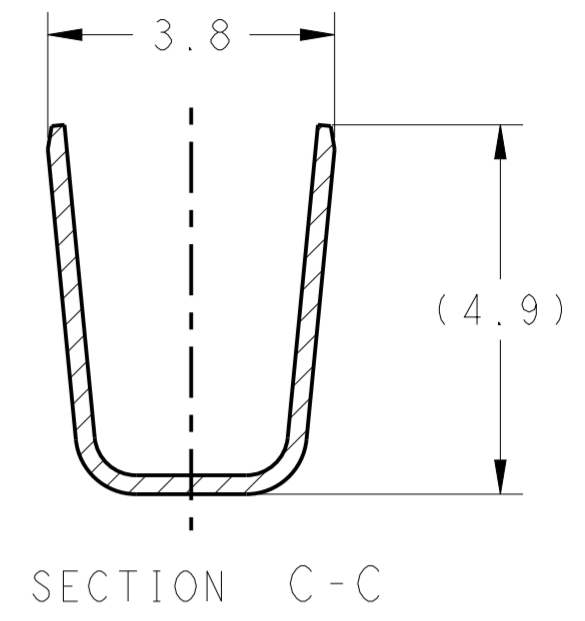
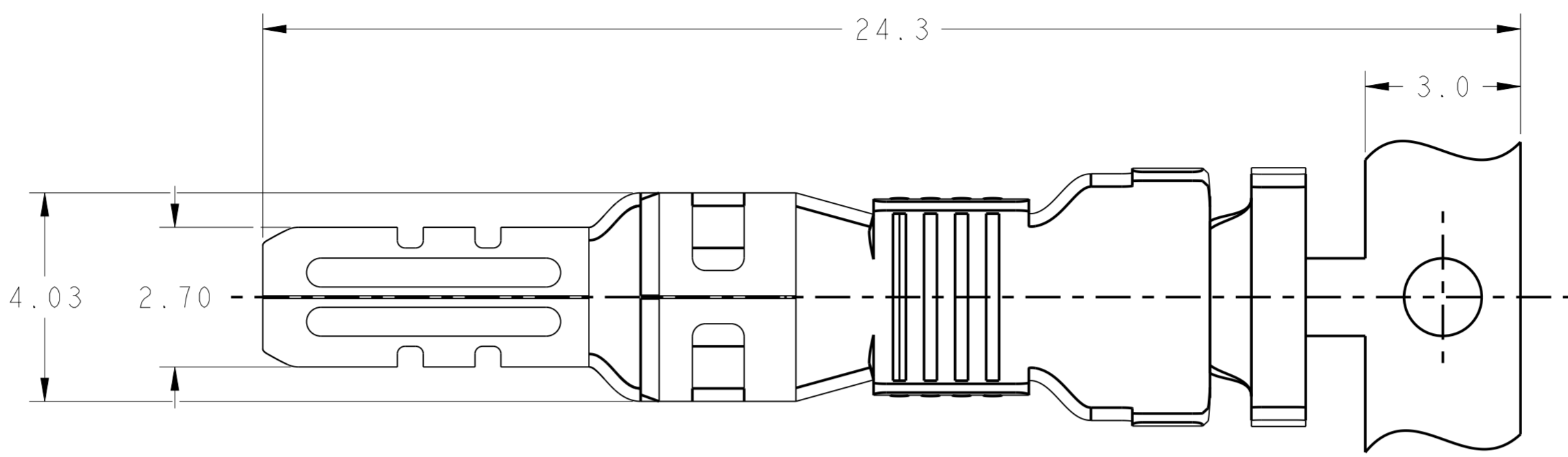
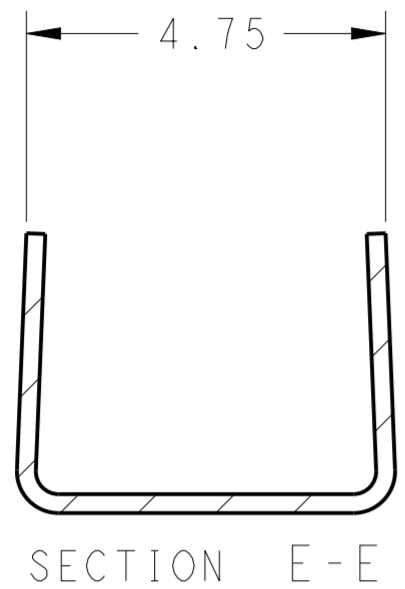
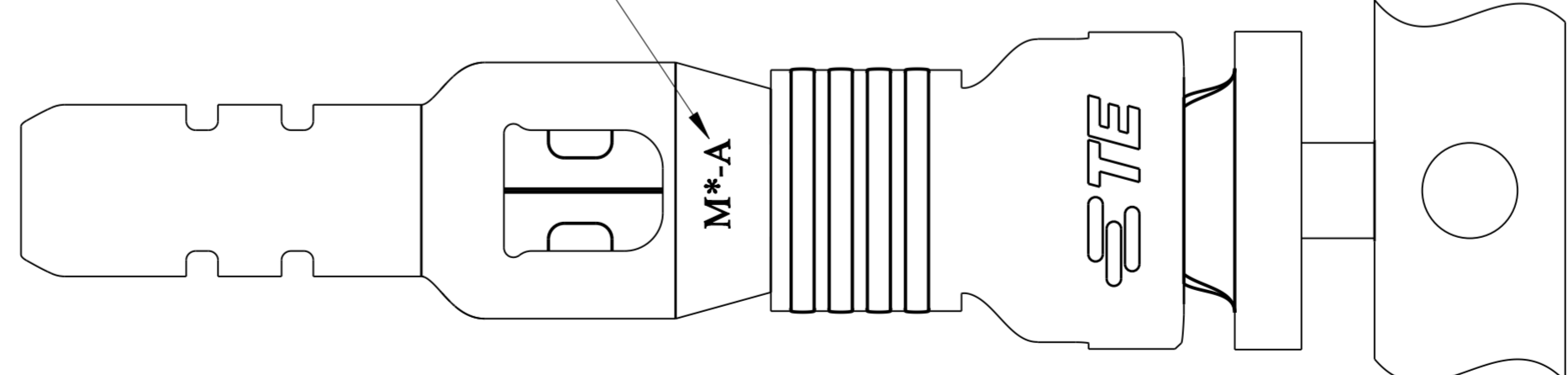


THIS DRAWING IS UNPUBLISHED. RELEASED FOR PUBLICATION 20
 © COPYRIGHT 20 BY - ALL RIGHTS RESERVED.

LOC	DIST	REVISIONS			
P	LTR	DESCRIPTION	DATE	DWN	APVD
ES	00				
	F	REVISED PER ECR-21-100678	08APR2021	SS	VS



5 MATERIAL/SIZE MARK



- 1 MATERIAL: COPPER ALLOY, PRE TIN PLATING
- 2 RECOMMENDED WIRE RANGE: 12AWG COPPER STRANDED (6300 ~ 7700 CMA)
- 3 APPLICABLE INSULATION DIAMETER: 3.85~4.57mm
- 4 RECOMMENDED CAP HOUSING P/N:
 -1971772-/*-1971775-*/*-1971875-*/
 -2232263-/*-2232264-*/*-2232356-*

5 WIRE SIZE INDICATOR. "A" = 12AWG

6 SUPERSEDED BY 1971780-2

HIGH(150°C)	M0-A	1971780-2
STANDARD(105°C)	M4	1971780-1
TEMP. RATING	MATERIAL/SIZE MARK 5	PART NO

THIS DRAWING IS A CONTROLLED DOCUMENT.		DWN TOMMY WU 11JUL2011	TE Connectivity	
DIMENSIONS: mm		CHK HAPYE WU 11JUL2011		
TOLERANCES UNLESS OTHERWISE SPECIFIED:		APVD YUJHONG MAO 11JUL2011	NAME	
0 PLC ±0.5		PRODUCT SPEC	TAB CONTACT POWER TRIPLE LOCK	
1 PLC ±0.30		APPLICATION SPEC	-	
2 PLC ±		WEIGHT	SIZE	CAGE CODE
3 PLC ±		Customer Drawing	A200779	C-1971780
4 PLC ±			SCALE	SHEET
ANGLES ±			5:1	1 OF 1
FINISH				REV F