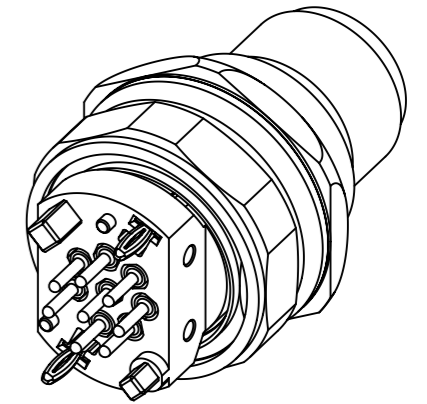
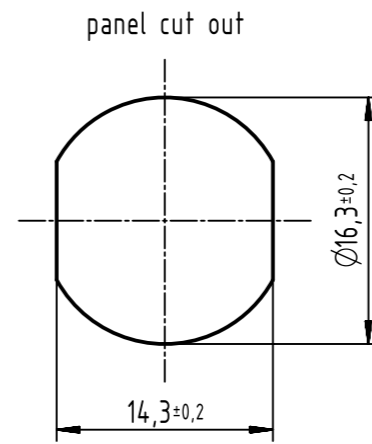
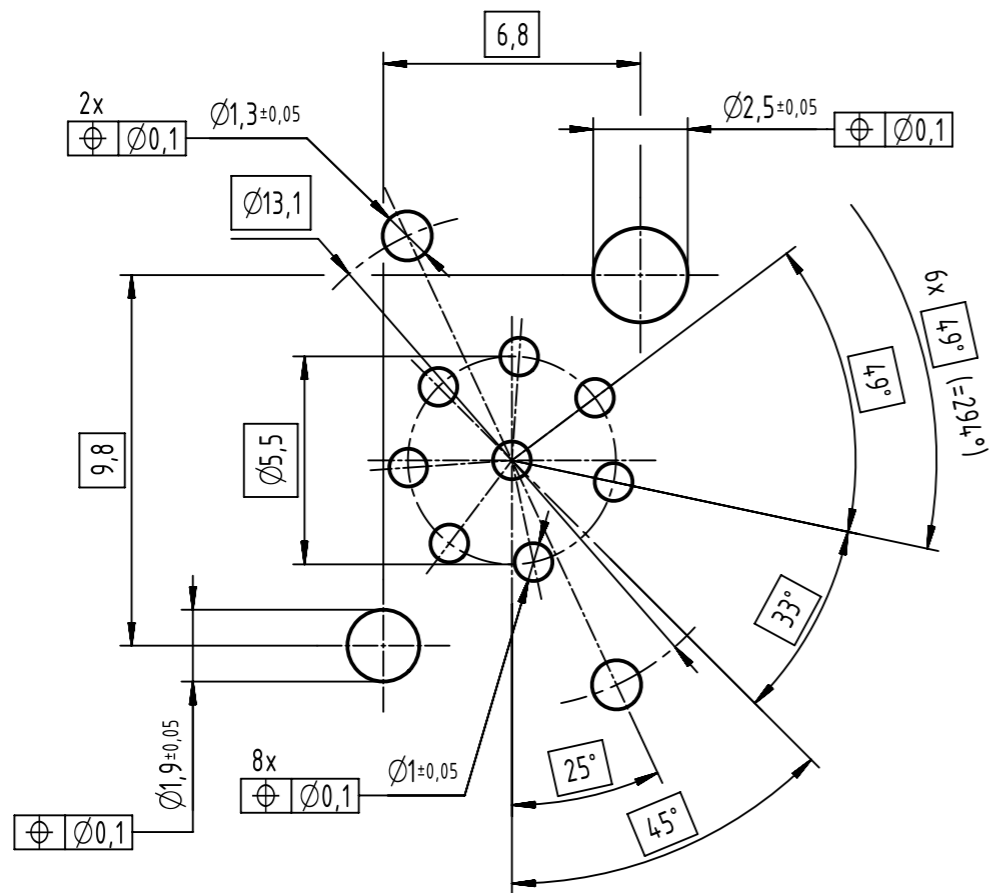
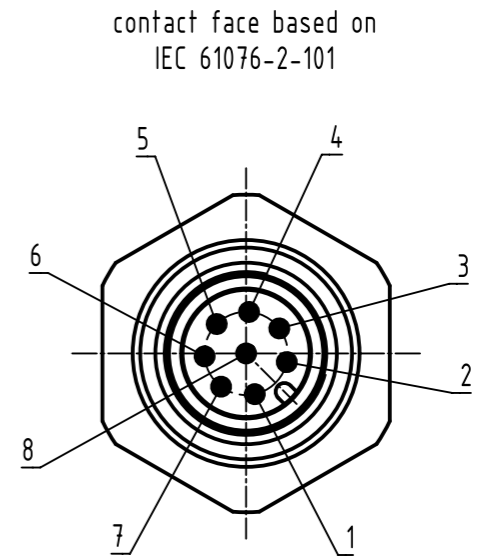
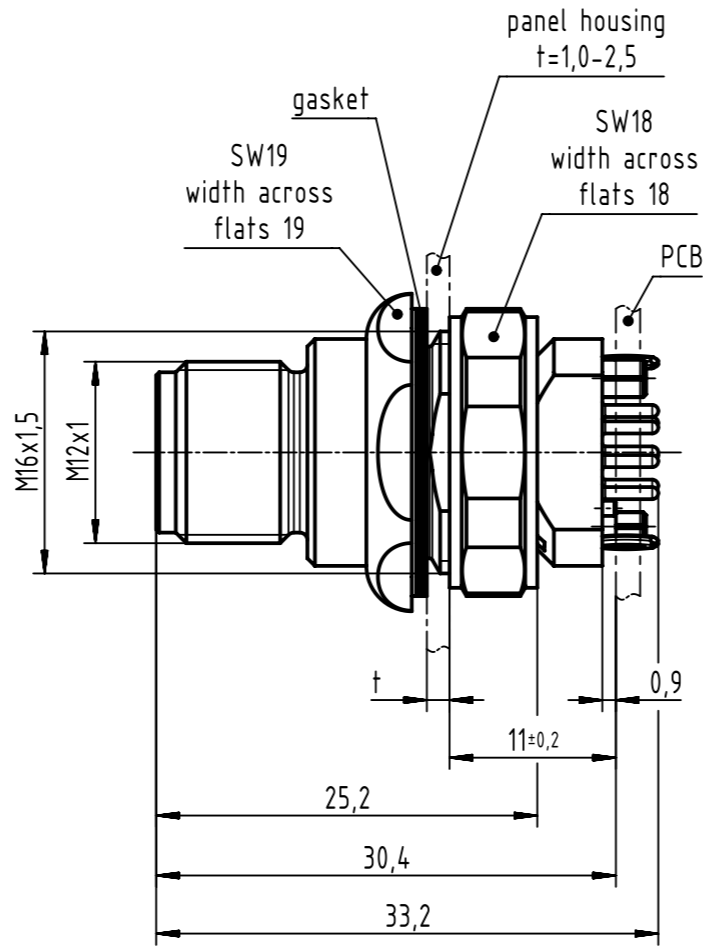


X (5:1)
recommended PCB-layout



- 1 pcs. single package

	All rights reserved	Created by	Inspected by	Standardisation	Date	State	
	Department EC PD - DE	BUSSMANN	HARLASS	HOFFMANN	2014-11-07	Final Release	
HARTING Electronics GmbH D-32339 Espelkamp		Title HARTING M12 PCB receptacle male A-coded 8-pole front				Doc-Key / ECM-Nr. 100569978/UGD/000/B 50000081540	
		Type	Number	Rev.	Page		
		TB	21033211831	B	1/1		