

THIS DRAWING IS UNPUBLISHED.

RELEASED FOR PUBLICATION

20

REVISIONS

© COPYRIGHT 20 BY - ALL RIGHTS RESERVED.

P	LTR	DESCRIPTION	DATE	DWN	APVD
	A1	REVISED NOTES	30OCT2019	MZ	MZ
	B	REVISED PER ECR-19-019350	18DEC2019	SB	FD
	B1	REVISED PER ECR-20-015354	28OCT2020	SR	FD
	C	REVISED PER ECR-21-108141	19JUL2021	SM	FD

NOTES:

1. MATERIALS:

CONTACT : COPPER ALLOY, TIN PLATED
 HOUSING: PPE+PS; COLOR: DARK GREY
 BUTTON: PPE+PS; COLOR: DARK GREY

DIMENSIONS BEFORE APPLICATION

2. APPLICABLE CABLES:

A) APPROVED ACCORDING UL FILE E353372 FOR SOLAR CABLES FROM 5.5 mm TO 7.2 mm

B) APPROVED ACCORDING TUV RHEINLAND CERTIFICATE NUMBER R60152499.0001 FOR FOLLOWING CABLE TYPES FROM DEFINED MANUFACTURERS:

- TE CABLE PN 2328394, 2.5 mm² (14 AWG)
- TE CABLE PN 2270245, 4 mm² (12 AWG)
- TE CABLE PN 2270260, 4 mm² (12 AWG)
- TE CABLE PN 2328400, 6 mm² (10 AWG)
- TE CABLE PN 2270215, 4 mm² (12 AWG)
- TE CABLE PN 2270259, 4 mm² (12 AWG)

- BYSON 6351D 2.5mm²/14AWG
- BYSON 6352D 4mm²/12AWG
- BYSON 6353D 6mm²/10AWG
- HONGLIN DPN4012A20 4mm²/12AWG

3. MATING CONNECTORS, TE PART NO.:

- 2315176-1 (SOLARLOK 2.0)
- x-2270024-y (PV4-S)
- x-1971920-y (PV4-PM)

4. NOTE REMOVED

5 MOULDING PRODUCTION DATE MARKING

6 AREA FOR LASER PRINTING DATA MATRIX AND PARTNUMBER

- PPPPPPPPVYYWDFL####
- P P P P P P P P = PART NUMBER
- V = VERSION CUSTOMER DRAWING
- Y Y = LAST TWO DIGITS OF YEAR 19
- W W = WEEK NUMBER
- D = WEEKDAY (1 MONDAY)
- F = FACTORY CODE (S = SZCZECIN, T = TRUTNOV)
- L = MANUFACTURING LINE (M=MANUAL, A=AUTOMATIC)
- #### = SERIAL NUMBER (PRODUCTION PER DAY)

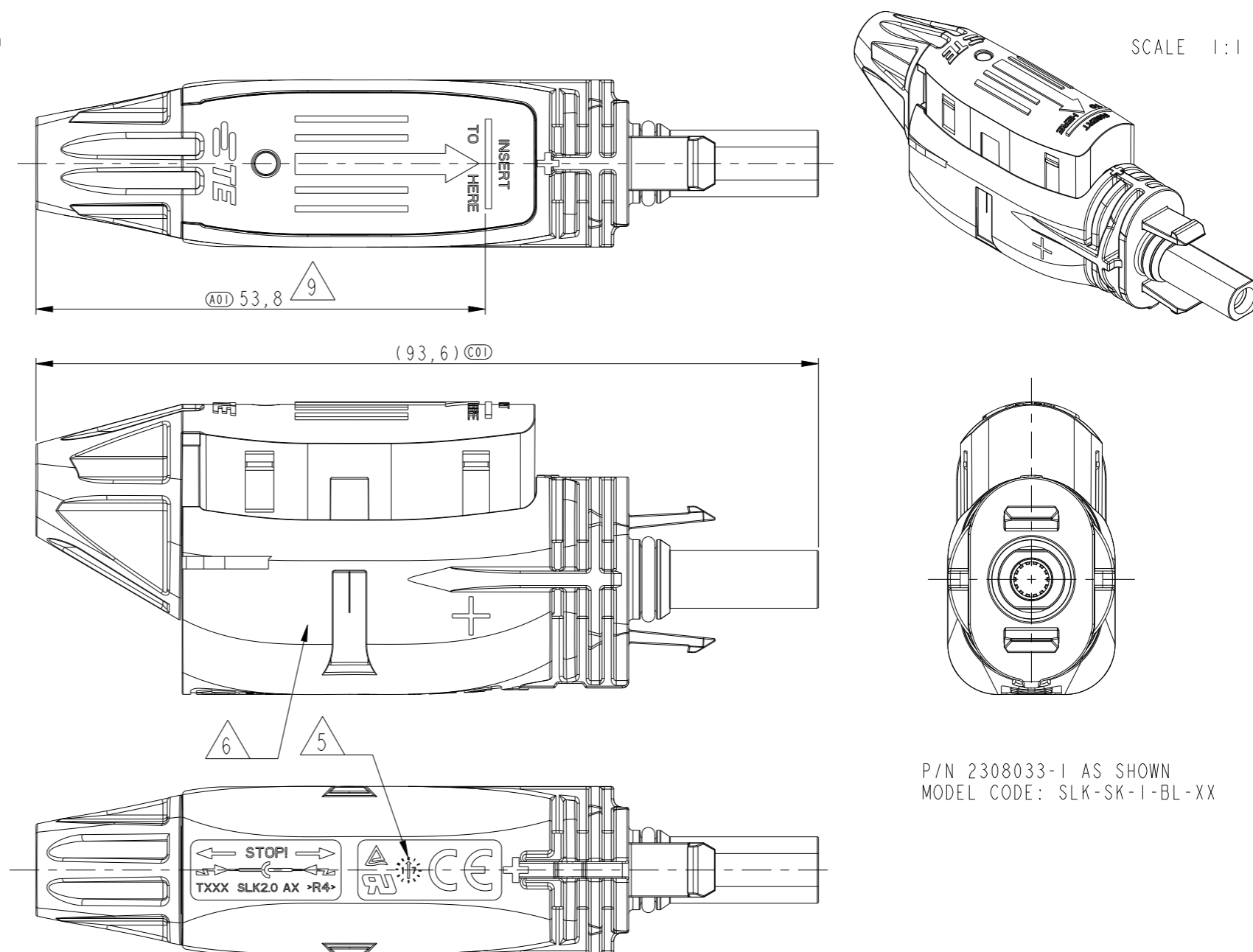
7 CABLE FOR REFERENCE ONLY

8 WHEN BUTTON AND HOUSING RIBS ARE ALIGNED, THE CONNECTOR IS CORRECTLY TERMINATED


9 MINIMUM CABLE INSERTION LENGTH 53.8 ± 2 mm

10. CHECK APPLICATION SPEC 114-133104 FOR PROPER CABLE CONNECTION

11. FOR PACKAGING FORMAT AND QUANTITY SEE 107-133104.



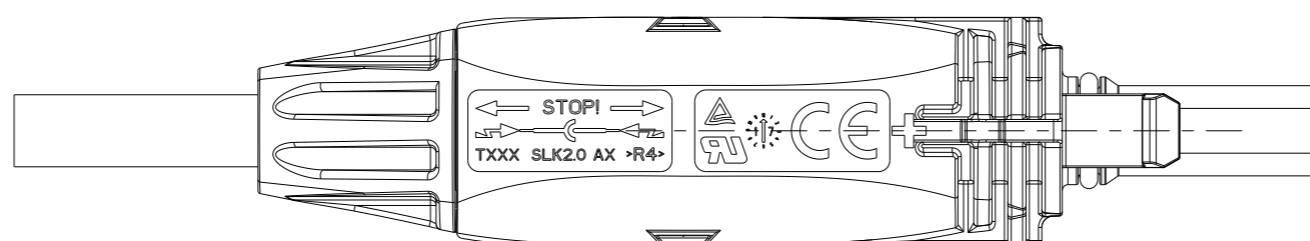
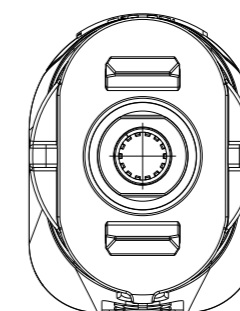
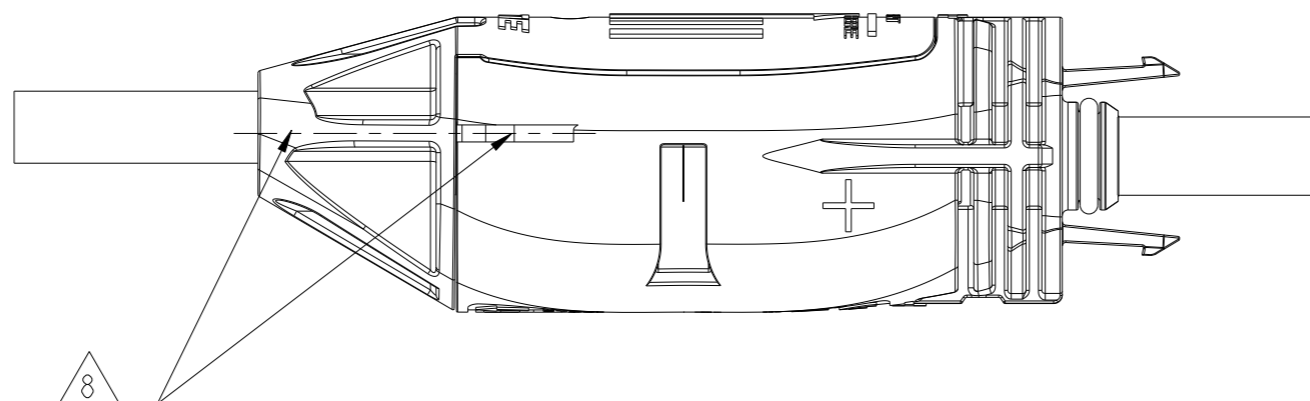
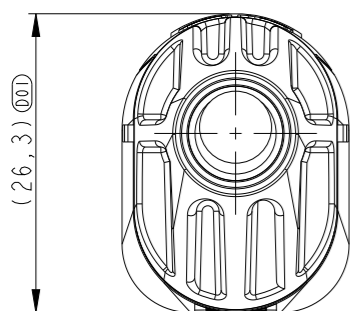
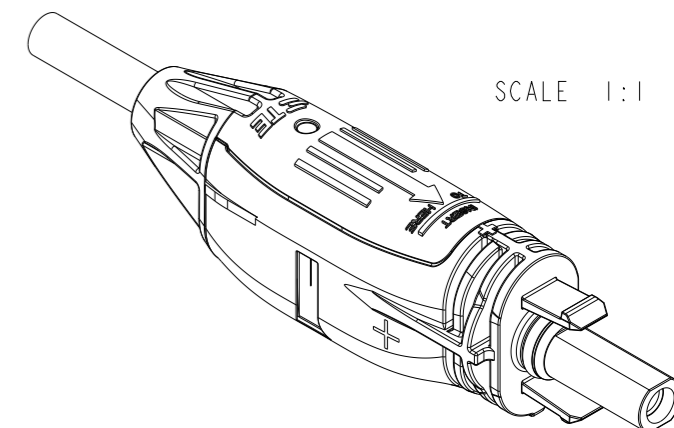
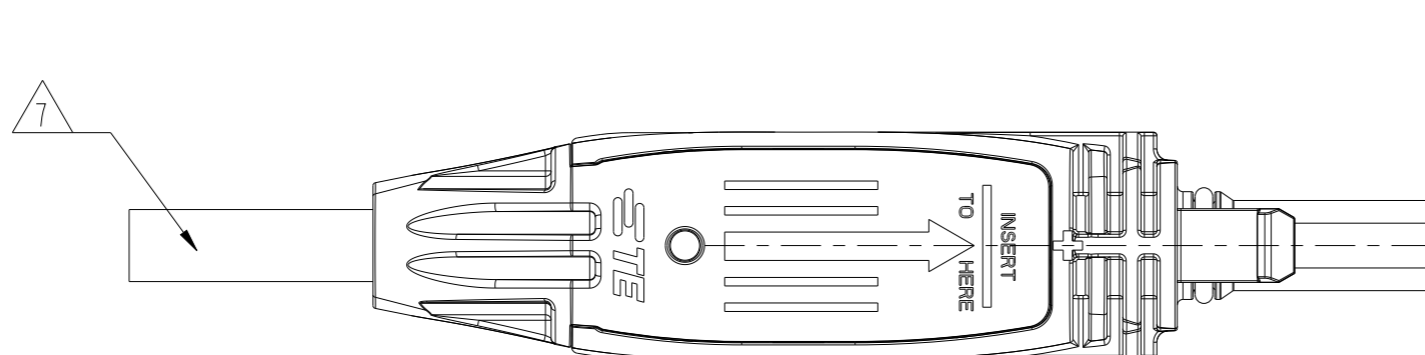
P/N 2308033-1 AS SHOWN
MODEL CODE: SLK-SK-1-BL-XX

THIS DRAWING IS A CONTROLLED DOCUMENT.		DWN 17NOV2017 RAGHAVENDRA.K	 TE Connectivity															
DIMENSIONS: mm		CHK 31JAN2018 F. DENDAS																
TOLERANCES UNLESS OTHERWISE SPECIFIED:		APVD 31JAN2018 O. LEIJNSE	NAME SOLARLOK 2.0 SOCKET CONNECTOR															
<table border="0"> <tr> <td>0 PLC</td> <td>±0.5</td> </tr> <tr> <td>1 PLC</td> <td>±0.5</td> </tr> <tr> <td>2 PLC</td> <td>±0.5</td> </tr> <tr> <td>3 PLC</td> <td>±</td> </tr> <tr> <td>4 PLC</td> <td>±</td> </tr> <tr> <td>ANGLES</td> <td>±3°</td> </tr> </table>		0 PLC	±0.5	1 PLC	±0.5	2 PLC	±0.5	3 PLC	±	4 PLC	±	ANGLES	±3°	PRODUCT SPEC 108-133104	SIZE A3	CAGE CODE 00779	DRAWING NO C-2308033	RESTRICTED TO -
0 PLC	±0.5																	
1 PLC	±0.5																	
2 PLC	±0.5																	
3 PLC	±																	
4 PLC	±																	
ANGLES	±3°																	
MATERIAL SEE NOTES		APPLICATION SPEC 114-133104	SCALE 3:2		SHEET 1 OF 2	REV C												
		WEIGHT -	CUSTOMER DRAWING															

REVISIONS

P	LTR	DESCRIPTION	DATE	DWN	APVD
-	-	SEE SHEET 1	-	-	-

DIMENSIONS AFTER APPLICATION



THIS DRAWING IS A CONTROLLED DOCUMENT.

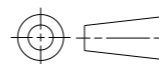
DWN 17NOV2017
RAGHAVENDRA.K
CHK 31JAN2018
F.DENDAS
APVD 31JAN2018
O.IEIJNSE



NAME SOLARLOK 2.0 SOCKET CONNECTOR

DIMENSIONS:
mm

TOLERANCES UNLESS OTHERWISE SPECIFIED:



- 0 PLC ±0.5
- 1 PLC ±0.5
- 2 PLC ±0.5
- 3 PLC ±
- 4 PLC ±
- ANGLES ±3°
- FINISH -

MATERIAL
SEE NOTES

PRODUCT SPEC
108-133104

APPLICATION SPEC
114-133104

WEIGHT
-

SIZE	CAGE CODE	DRAWING NO	RESTRICTED TO
------	-----------	------------	---------------

A3	00779	C-2308033	-
----	-------	-----------	---

CUSTOMER DRAWING

SCALE 3:2	SHEET 2 OF 2	REV C
-----------	--------------	-------