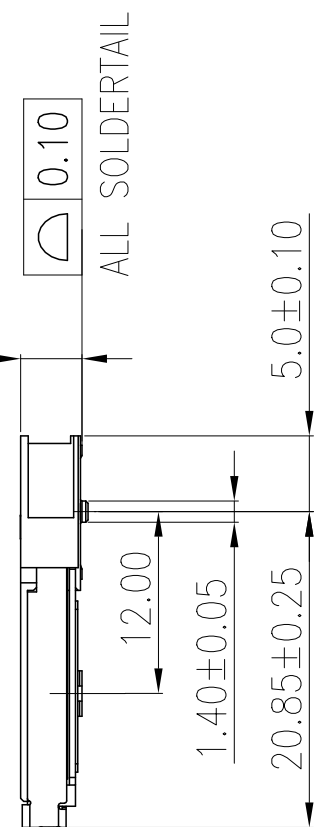
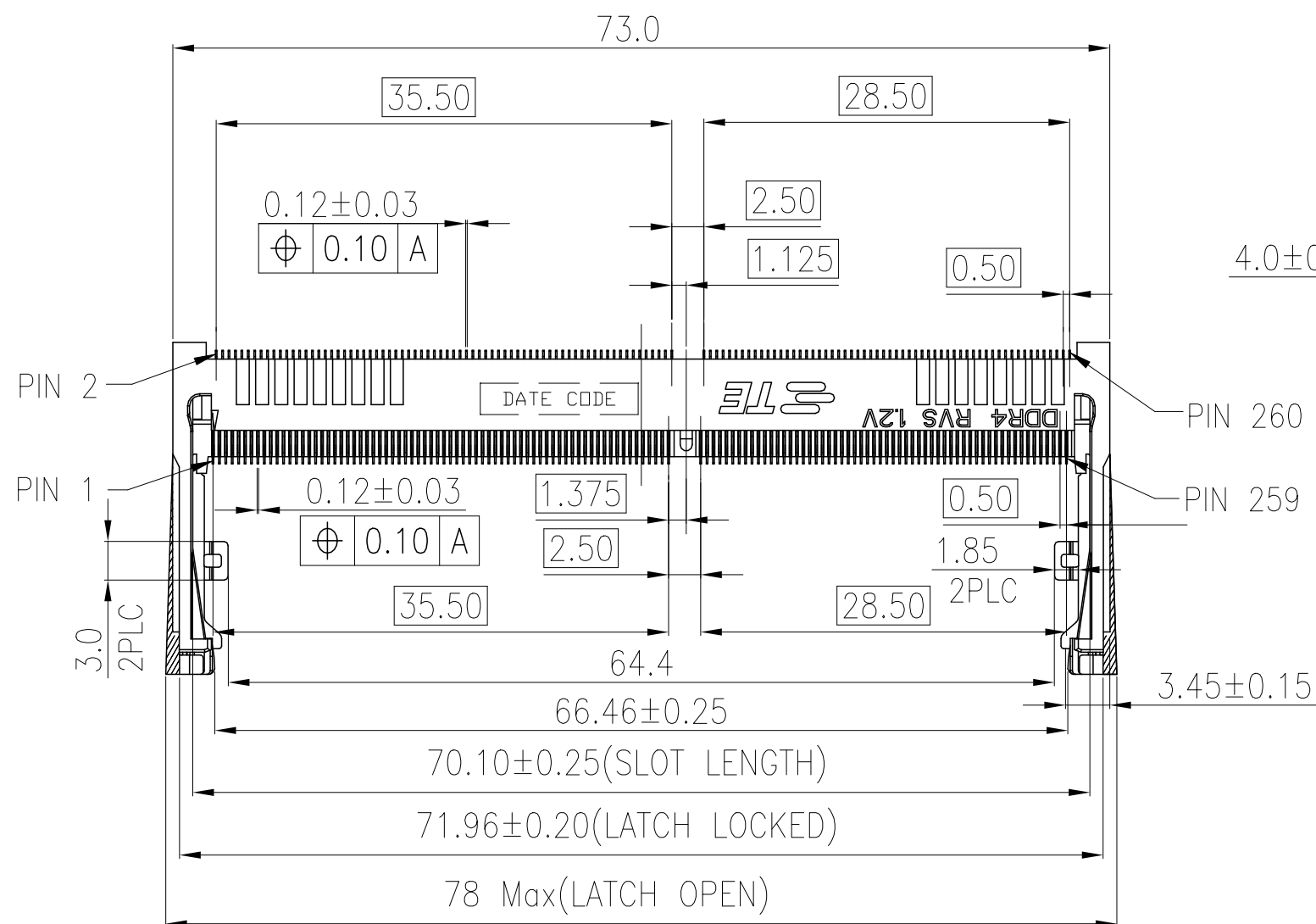
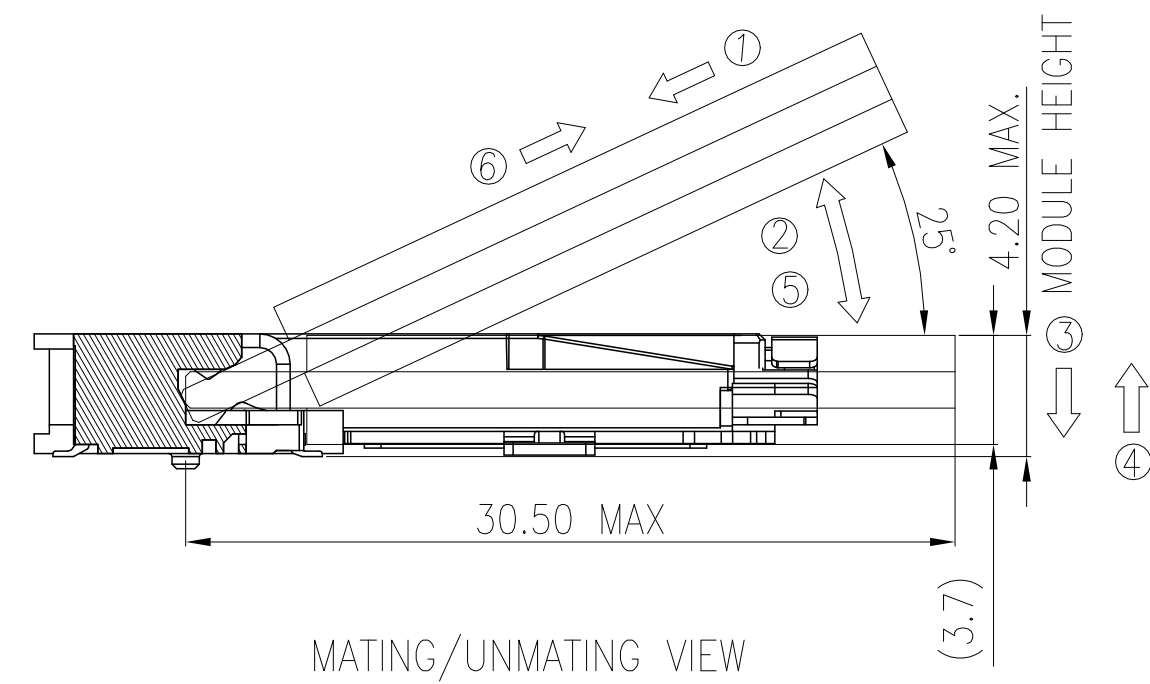
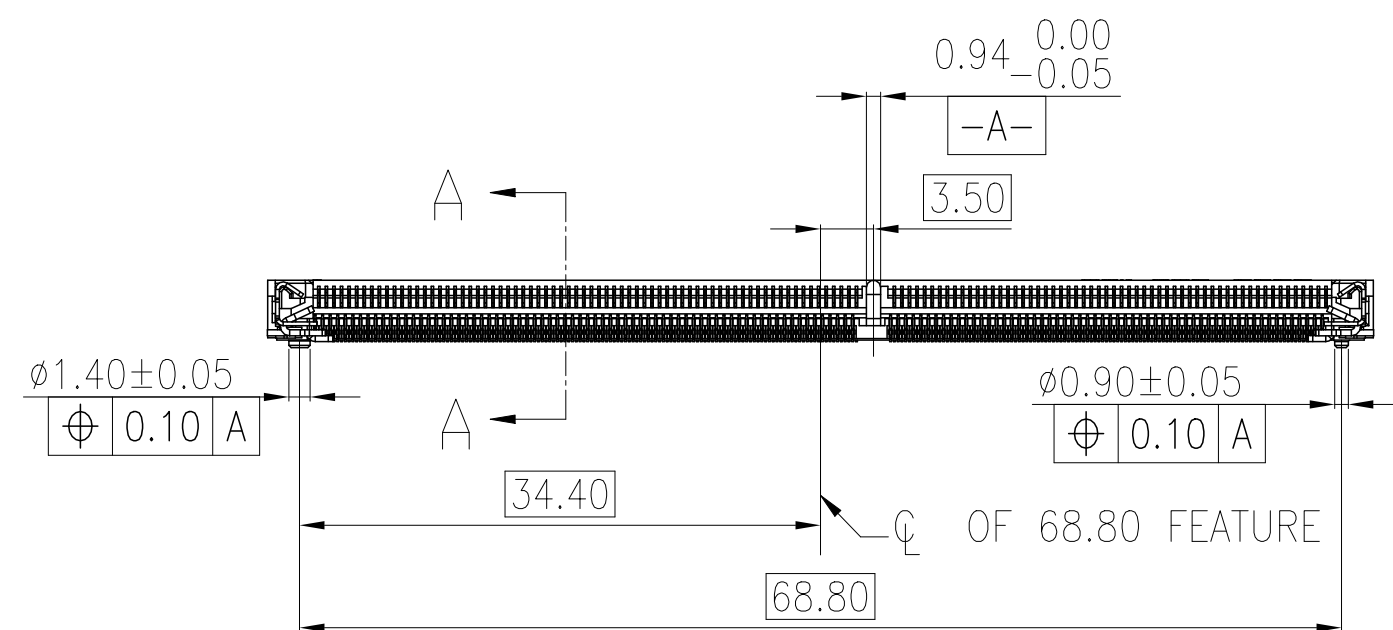


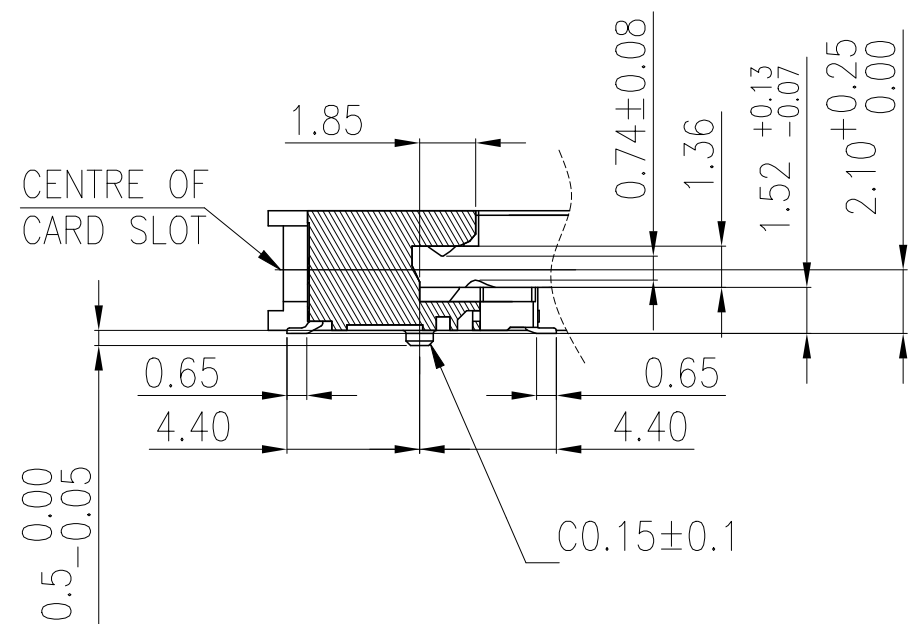
REVISIONS					
P	LTR	DESCRIPTION	DATE	DWN	APVD
4		CHANGE DIM 0.80 TO 0.74 +/-0.08	16NOV2020	SS	DZ



- NOTES:
- MATERIAL:
 - HOUSING: HIGH TEMPERATURE THERMO PLASTIC, UL94V-0, COLOR: BLACK.
 - CONTACT: COPPER ALLOY.
 - SOLDER PEG AND LATCH: STAINLESS STEEL.
 - FINISH:
 - SOLDER PEG: GOLD FLASH ON 50u" MIN NICKEL UNDERPLATED ALL OVER.
 - CONTACT SOLDER AREA: GOLD FLASH ON SOLDER TAIL.
 - CONTACT AREA: GOLD FLASH ON 50u" MIN NICKEL UNDERPLATED ALL OVER.
 - CONTACT AREA: 5u" ON 50u" MIN NICKEL UNDERPLATED ALL OVER.
 - CONTACT AREA: 10u" ON 50u" MIN NICKEL UNDERPLATED ALL OVER.
 - CONTACT AREA: 15u" ON 50u" MIN NICKEL UNDERPLATED ALL OVER.
 - CONTACT AREA: 30u" ON 50u" MIN NICKEL UNDERPLATED ALL OVER.
 - COPLANARITY: 0.10 MAX. (BEFORE SOLDERING)



- MATING: ① INSERTING (25°) → ② ROTATING → ③ FIXED
 UNMATING: ④ UNFIXED → ⑤ ROTATING → ⑥ WITHDRAWING

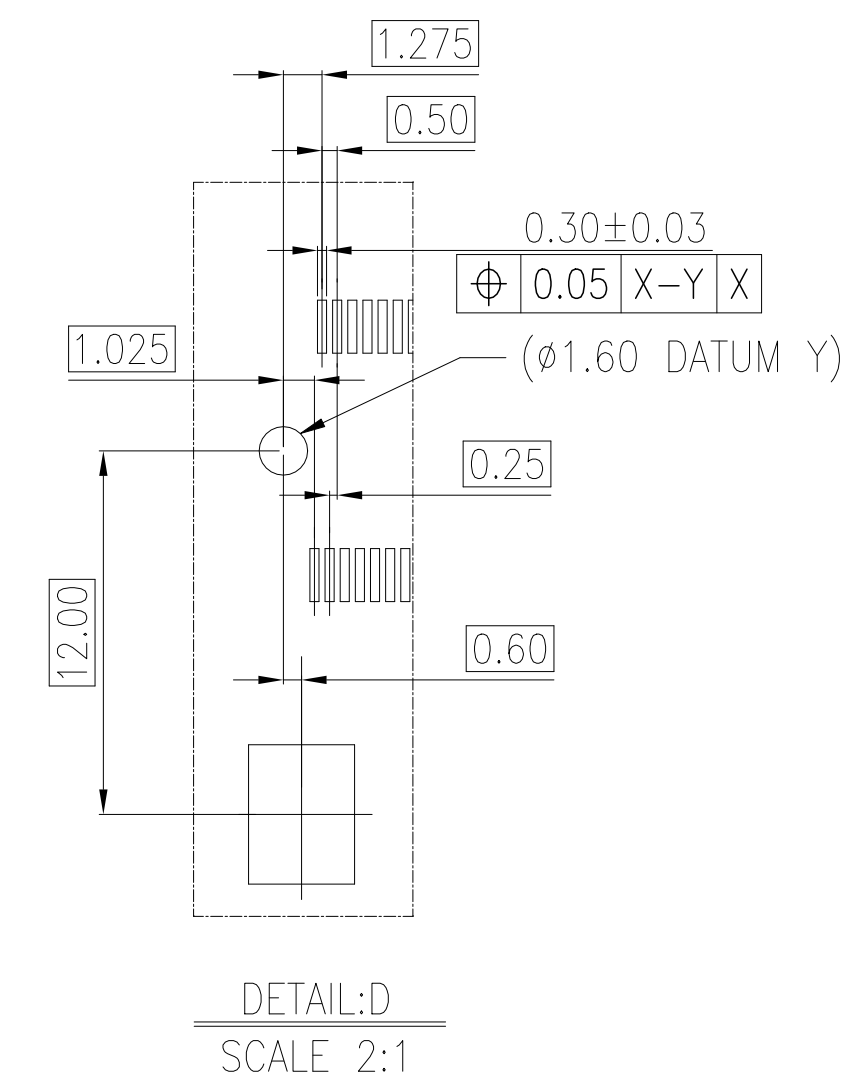
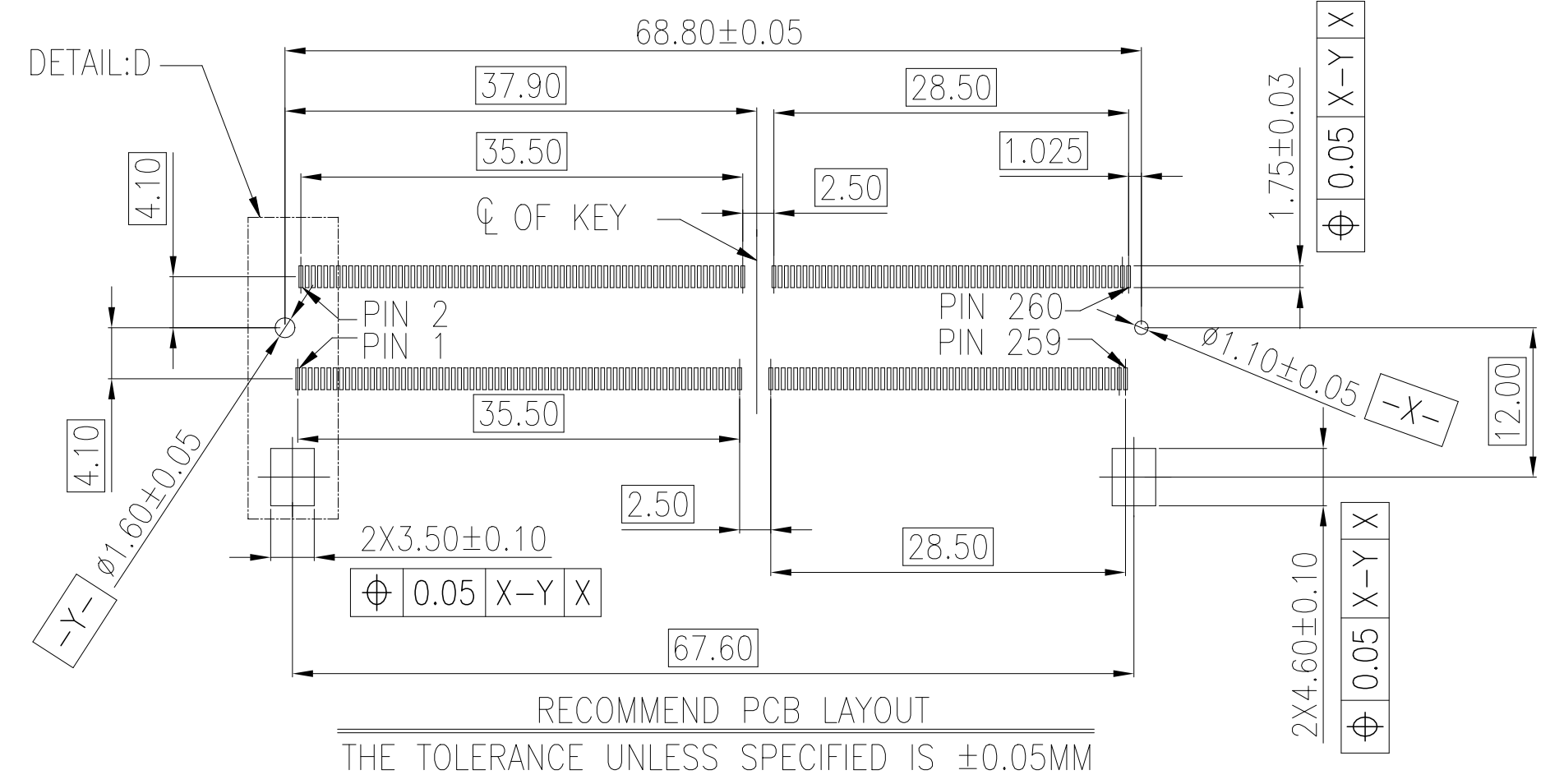
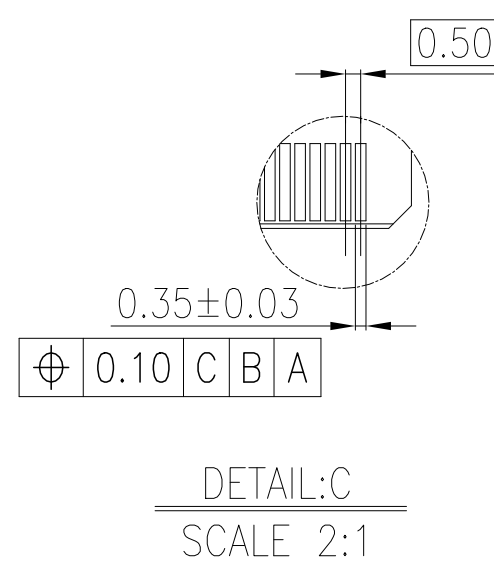
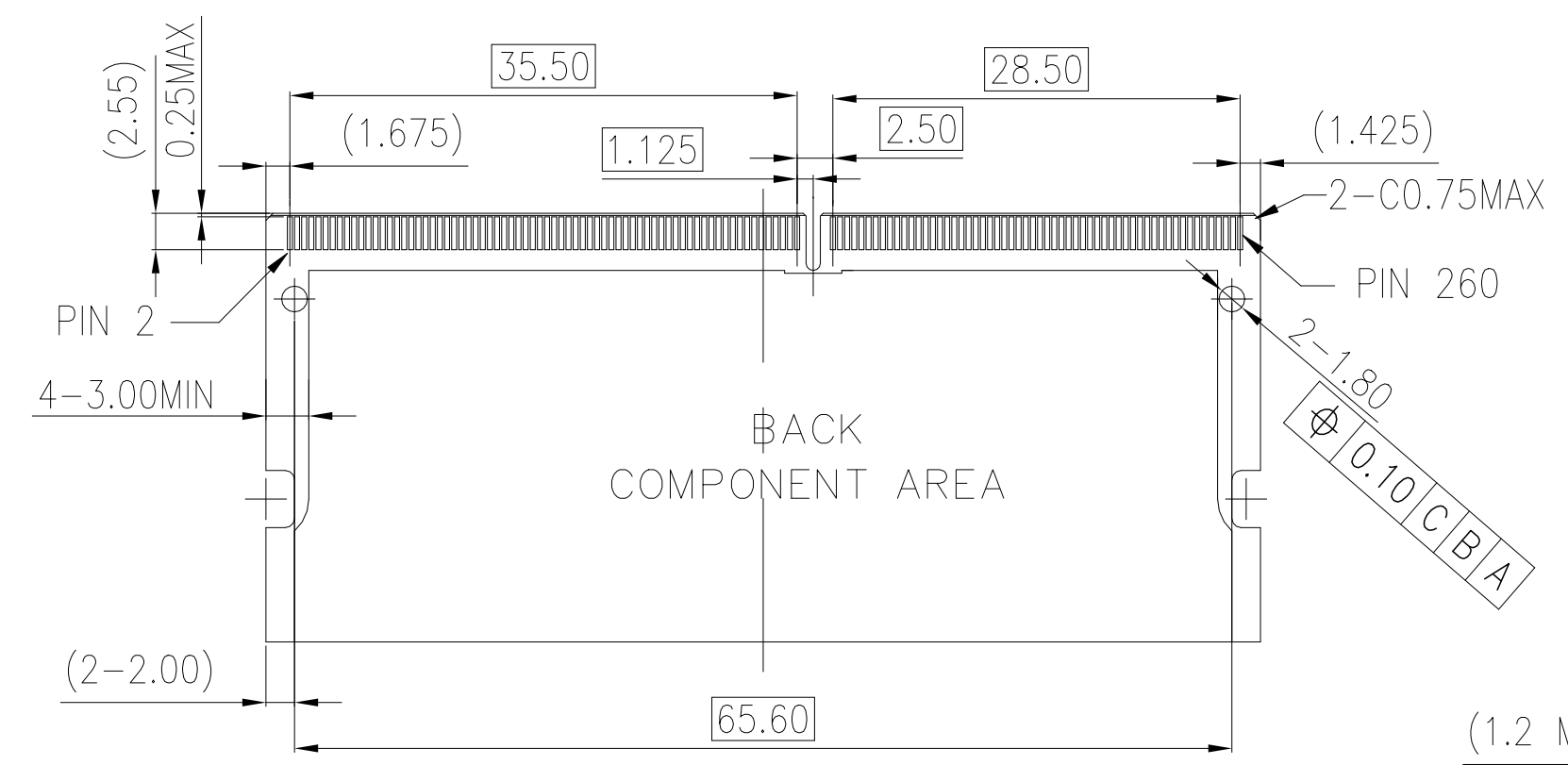
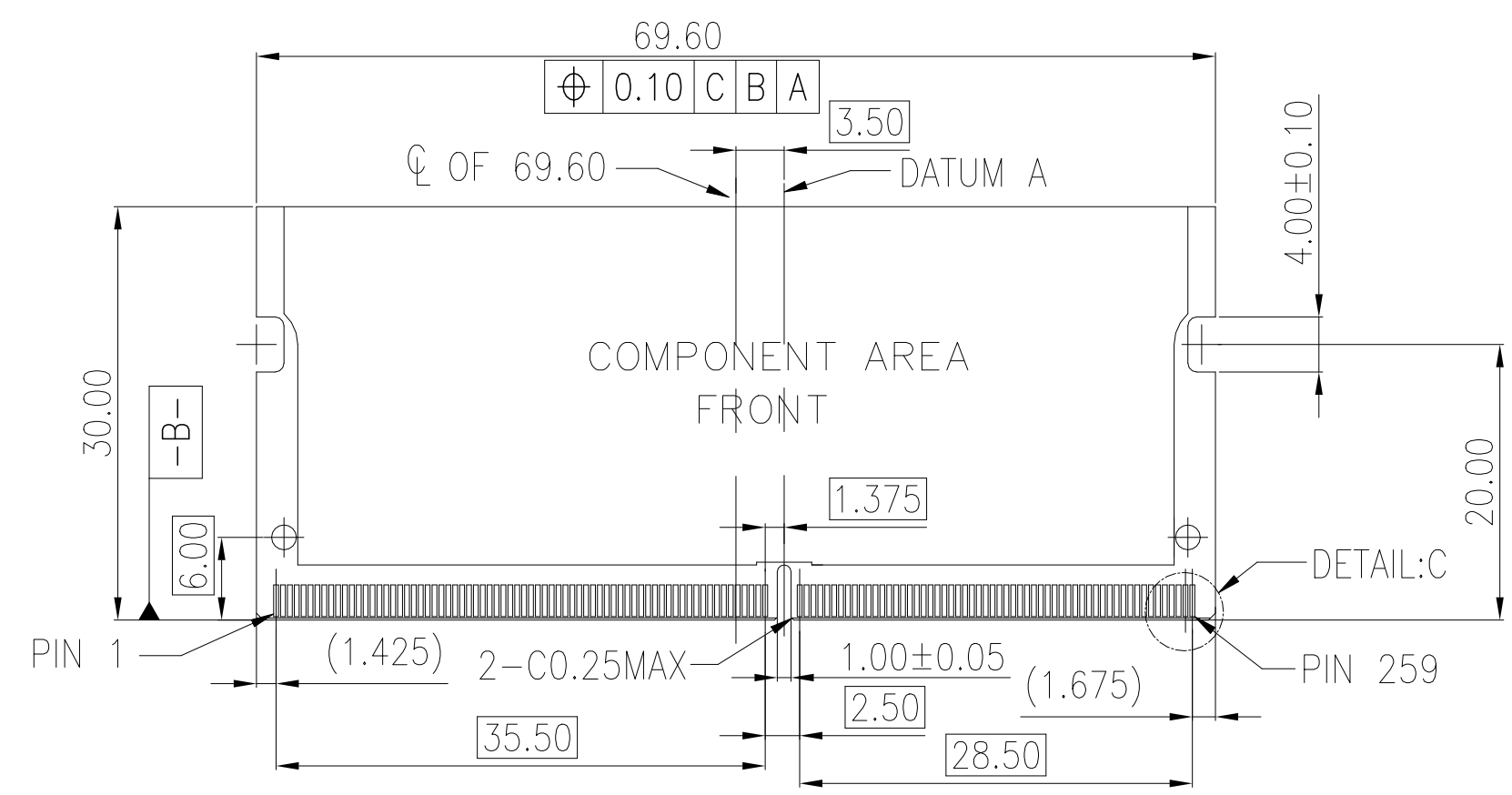


SECTION: A-A
SCALE 2:1

TAPE&REEL	BLACK	1.2V	30u"	260	2309408-5
TAPE&REEL	BLACK	1.2V	15u"	260	2309408-4
TAPE&REEL	BLACK	1.2V	10u"	260	2309408-3
TAPE&REEL	BLACK	1.2V	5u"	260	2309408-2
TAPE&REEL	BLACK	1.2V	GF	260	2309408-1
PACKING TYPE	HOUSING COLOR	POWER SUPPLY	FINISH	POS	PART NO.

THIS DRAWING IS A CONTROLLED DOCUMENT.		DWN	DAVID ZHAO	09SEP2016		TE Connectivity		
DIMENSIONS: mm		CHK	RICHARD MA	09SEP2016		NAME		
TOLERANCES UNLESS OTHERWISE SPECIFIED:		APVD	SIMON LI	09SEP2016		PRODUCT SPEC		
0 PLC ± -		108-115122		APPLICATION SPEC				
1 PLC ± 0.25		WEIGHT		SIZE		CAGE CODE	DRAWING NO	RESTRICTED TO
2 PLC ± 0.15		CUSTOMER DRAWING		A2		00779	2309408	
3 PLC ± 0.10		SCALE		1:1		SHEET		1 of 3
4 PLC ± -		REV		4				
ANGLES ± -								
FINISH								

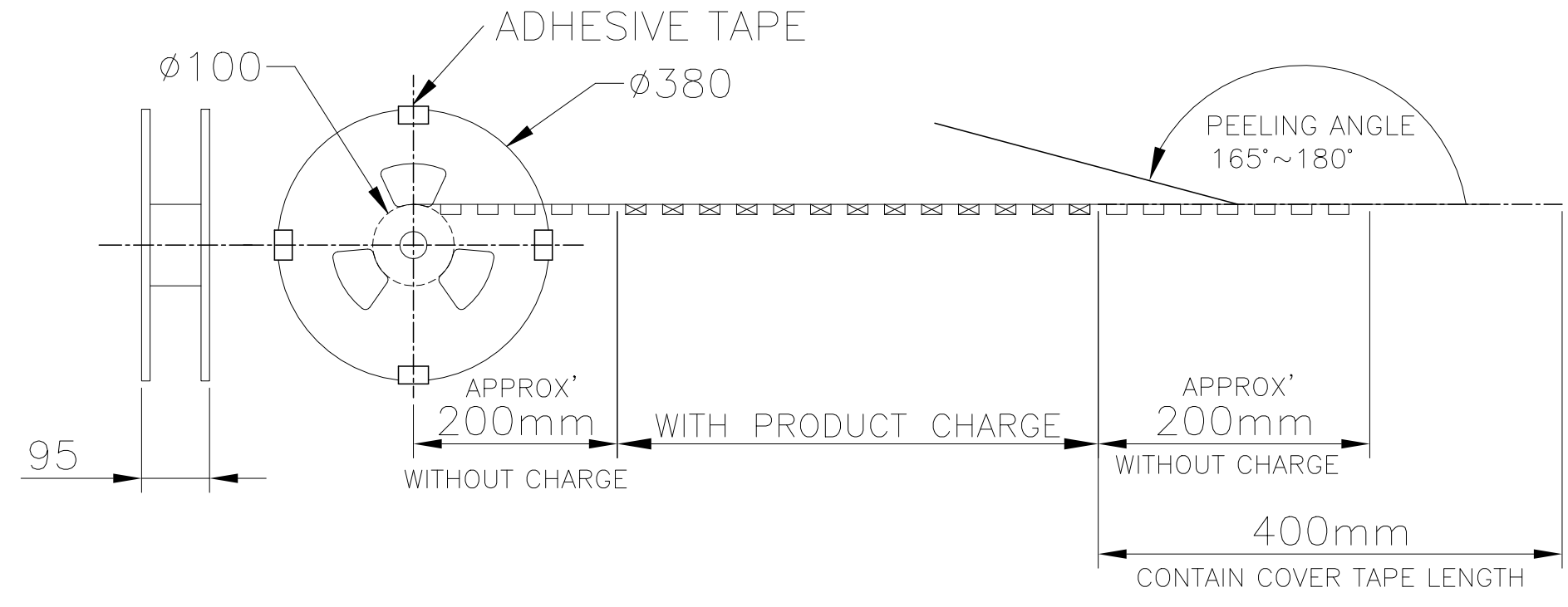
REVISIONS				
P	LTR	DESCRIPTION	DATE	OWN APVD
-	-	-	-	-



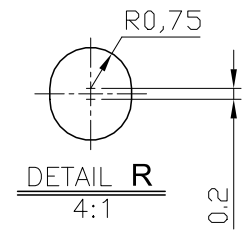
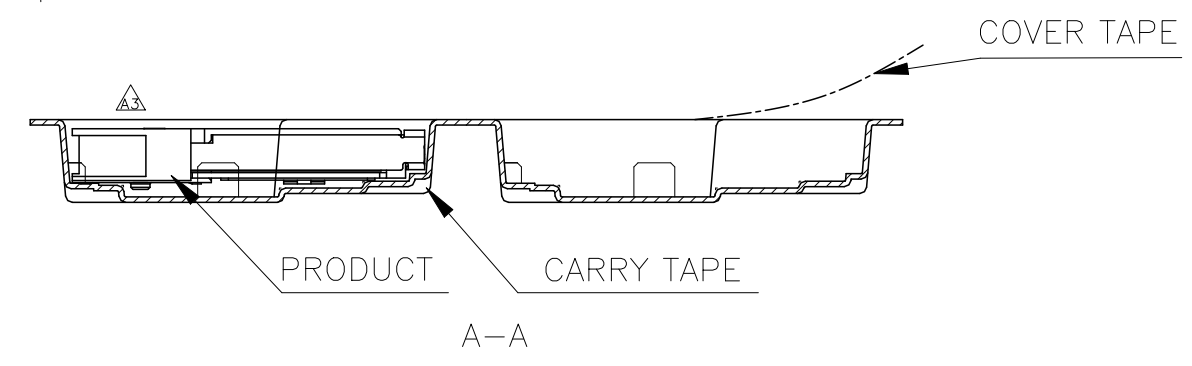
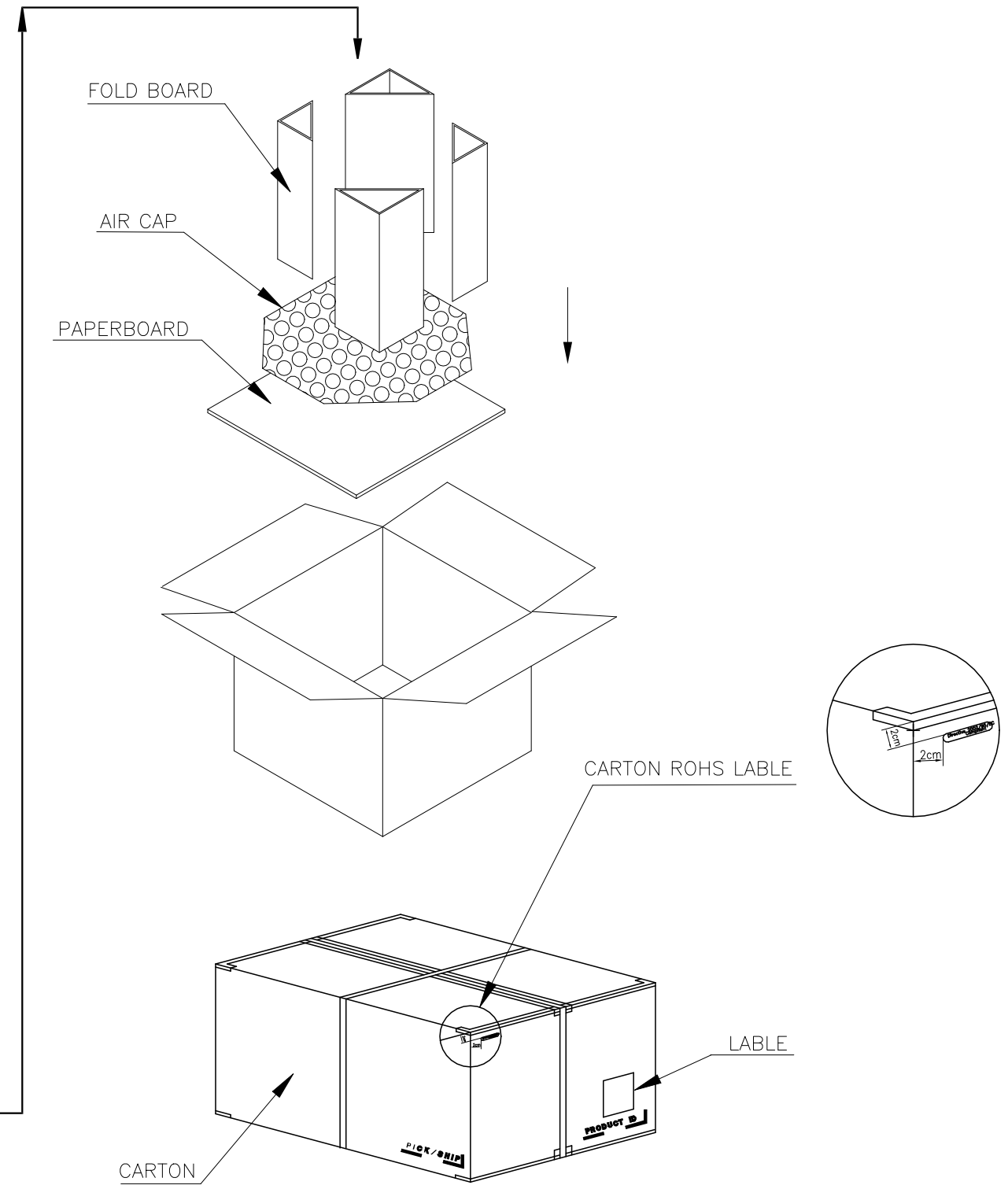
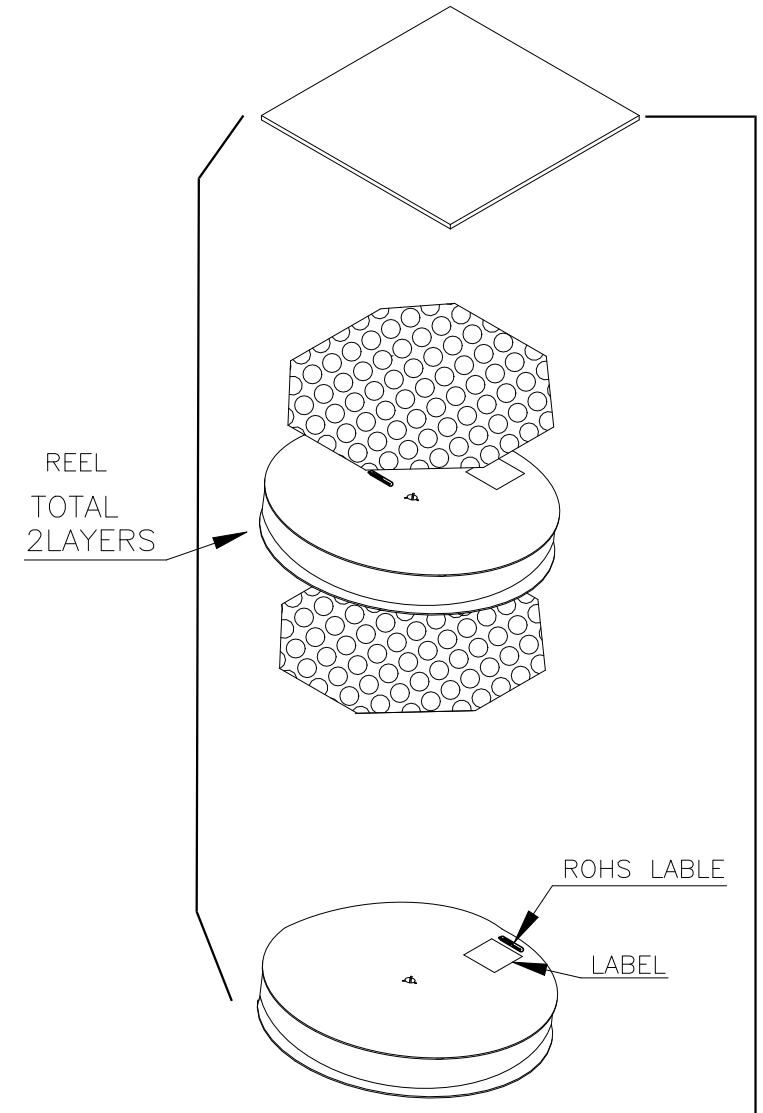
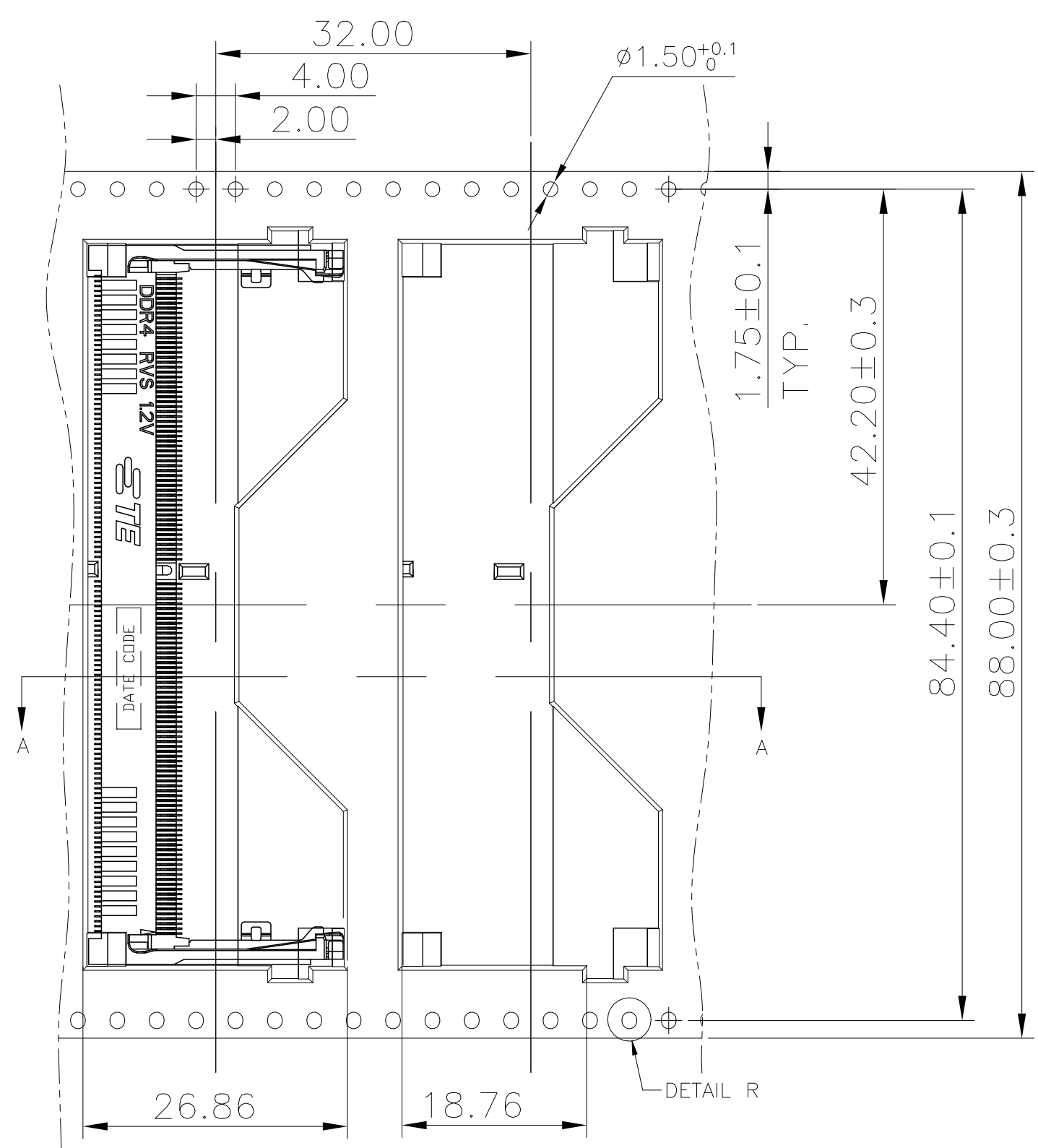
THIS DRAWING IS A CONTROLLED DOCUMENT.		OWN DAVID ZHAO 09SEP2016	 TE Connectivity
DIMENSIONS: mm		CHK RICHARD MA 09SEP2016	
TOLERANCES UNLESS OTHERWISE SPECIFIED:		APVD SIMON LI 09SEP2016	
0 PLC ± 1 PLC ± 2 PLC ± 3 PLC ± 4 PLC ± ANGLES ± FINISH ±		NAME DDR4 SODIMM SOCKET 0.5mm PITCH 260POS 4.0mm HEIGHT REVERSE TYPE	
MATERIAL		APPLICATION SPEC	SIZE A2
		WEIGHT	CAGE CODE 00779
		CUSTOMER DRAWING	DRAWING NO. C=2309408
			RESTRICTED TO
			SCALE 1:1 SHEET 2 OF 3 REV 4

THIS DRAWING IS UNPUBLISHED. RELEASED FOR PUBLICATION
 © COPYRIGHT 2016 By TE connectivity ALL RIGHTS RESERVED.

REVISIONS					
P	LTR	DESCRIPTION	DATE	DWN	APVD
-	-		-	-	-



PULL OUT DIRECTION →



450	2	900	*-2309408-*
PCS/REEL	REEL/CARTON	PCS/CARTON	PART NUMBER

THIS DRAWING IS A CONTROLLED DOCUMENT.		DWN DAVID ZHAO 09SEP2016	 TE Connectivity
DIMENSIONS: mm		CHK RICHARD MA 09SEP2016	
TOLERANCES UNLESS OTHERWISE SPECIFIED:		APVD SIMON LI 09SEP2016	
0 PLC ± 1 PLC ± 2 PLC ± 3 PLC ± 4 PLC ± ANGLES ± FINISH ±		NAME PRODUCT SPEC APPLICATION SPEC WEIGHT	
MATERIAL		CUSTOMER DRAWING	SIZE A2 CAGE CODE 00779 DRAWING NO C=2309408 RESTRICTED TO
SCALE -			SHEET 3 OF 3 REV 4