

Ratings

Temperature: -25°C~80°C
Flammability: FT2

Twisted Pair (5PR)

Voltage: 30 V
Gauge: 24 AWG 0.2 mm²
Color: white/green, white/blue, white/orange, white/brown, white/purple
Conductor: tinned copper strands, Ø 0.1 mm x 26
Conductor resistance at 20 °C: 94.2 Ω /km max
Insulation
Material: foamed PE
Diameter: Ø 1.2 ±0.10 mm
Thickness: 0.3 mm nominal
Resistance at 20 °C: 10 MΩ /km min
Twisted pair characteristic impedance: 100 Ω

Power Wire (2C)

Voltage: 300V
Gauge: 20 AWG 0.52 mm²
Color: red (Power), black (Ground)
Conductor: tinned copper strands, Ø0.127 x 41
Conductor resistance at 20 °C: 36.7 Ω /km max
Insulation
Material: SR-PVC, 90A
Diameter: Ø 1.55 ±0.10 mm
Thickness: 0.3 mm nominal
Resistance at 20 °C: 10 MΩ /km min

Power marking: E339579 UL AWM STYLE 1061 80°C 300V --- cUL AWM I A 80°C 300V FT2 TENSILITY

Shield

Type: aluminum mylar + tinned copper braid
Stranding: Ø0.1 mm
Coverage: 65% min braid, 100% foil

Drain

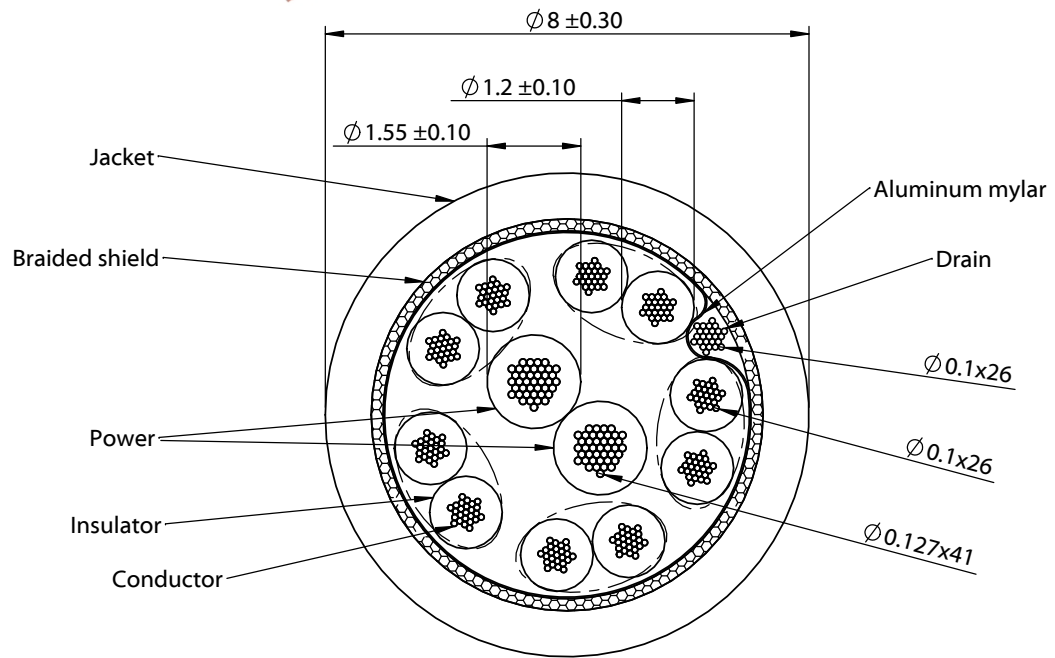
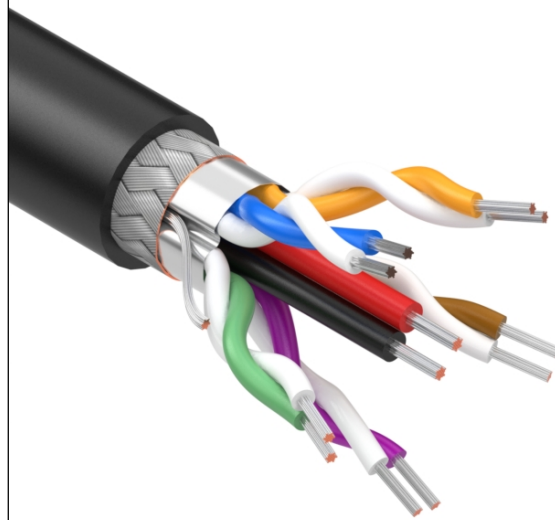
Stranding: Ø0.1 mm x 26
Material: tinned copper strands

Outer jacket

Material: PVC, 79A
Color: black
Style: round
Diameter: Ø 8 ±0.30 mm
Nominal thickness: 0.9 mm

Jacket marking: E339579 UL AWM STYLE 2725

24AWG/5P+20AWG/2C 80°C 30V --- cUL AWM I/II A 80°C 30V FT2 TENSILITY



Revision:	Date:	Description:
A	2/28/22	Initial release

Prepared:
Verified:
Dimensions are in millimeters. Tolerances: X: ± 0.5 mm X.X: ± 0.3 mm X.XX: ± 0.05 mm

Notes: RoHS compliant
Function test: no open, no short circuit, no intermittent
Description: Wire, 5PR TS 24 AWG, 2C TS 20 AWG, UL2725, 30V, 80C, 8.0 mm, shielded, FT2, PVC

TENSILITY

tel 1.541.323.3228 800 877.670.7118
fax 1.541.323.4202 web tensility.com

Size: A	Part number: 30-02491
Scale: 8:1	Sheet 1 of 1