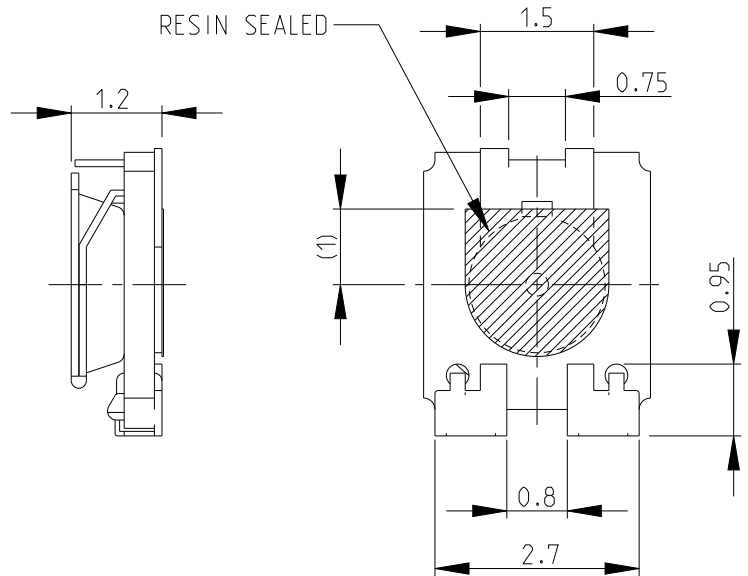
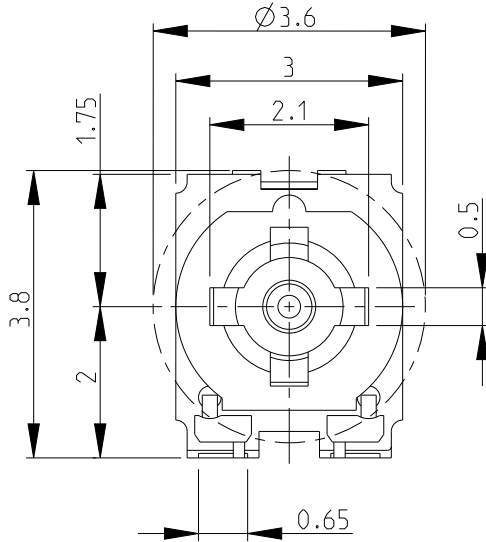


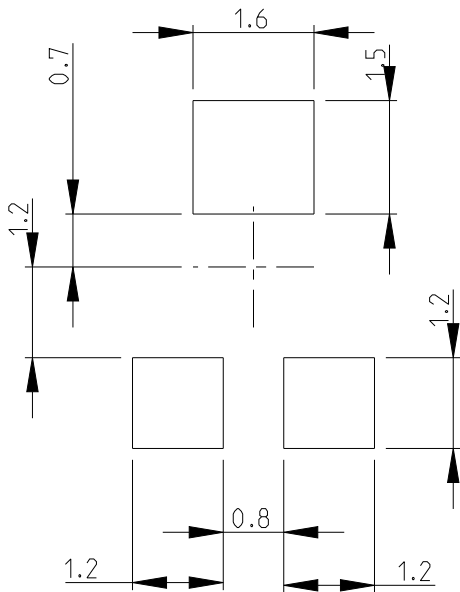
REVISIONS

P	LTR	DESCRIPTION	DATE	DWN	APVD
	BA	NEW RELEASE	06AUG2008	SM	St.P
	BA1	OBSOLETE	25MAR2022	DM	AP
	BA2	RELEASED	07APR2022	DM	AP

WIPER ROTATING AREA

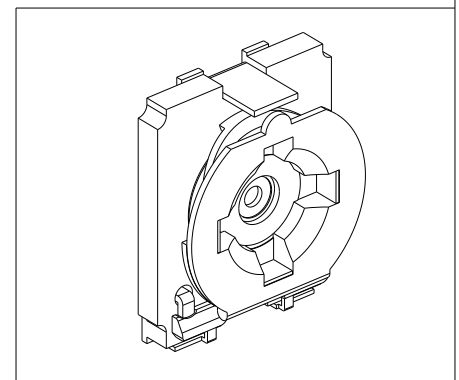


RECOMMENDED LAND PATTERN



FOR FURTHER INFORMATION SEE DATA SHEET FOR 3135 SERIES-SMD ECONOMY TRIMMERS

RoHS Compliant



© 2022 TE Connectivity. All Rights Reserved.

DIMENSIONS: mm	DWN	SUBHASH.M	06AUG2008	MATERIAL	-	FINISH	-
	CHK	PRAKASH.S	06AUG2008	TE Connectivity			
TOLERANCES UNLESS OTHERWISE SPECIFIED:	APVD	STEPHEN.P	06AUG2008				
	0 PLC	±0.2	PRODUCT SPEC	-	SIZE	CAGE CODE	DRAWING NO
1 PLC	±0.1	APPLICATION SPEC	-	A 4	00779	©=1623919	-
2 PLC	±	WEIGHT	-	CUSTOMER DRAWING			
3 PLC	±			SCALE	10:1	SHEET	1 OF 1
4 PLC	±			REV BA2			
ANGLES	±5°						