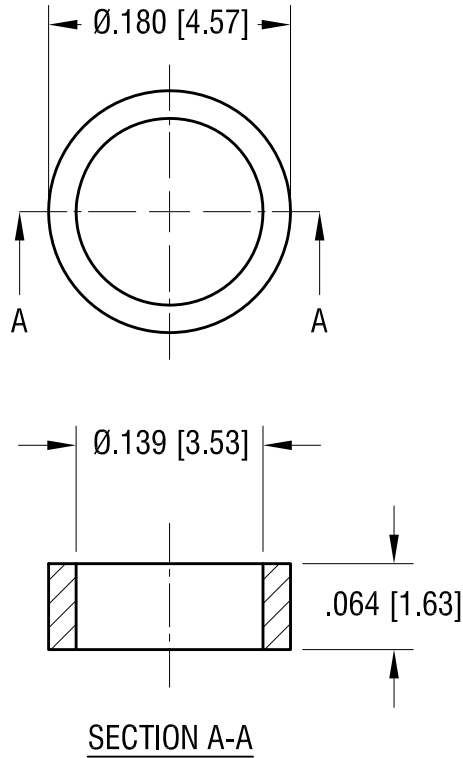


THIS DOCUMENT IS THE PROPERTY OF  
KEYSTONE ELECTRONICS CORP. AND  
SHALL NOT BE REPRODUCED, DISTRIBUTED  
OR USED AS A BASIS FOR MANUFACTURE  
WITHOUT PRIOR WRITTEN PERMISSION  
FROM KEYSTONE ELECTRONICS CORP.

ACTUAL SIZE



1.30.23	MAT'L WAS NYLON CHANGE AS PER ECN 23-009	B
11.09.83	REVISED	A
DATE	DESCRIPTION	REV.

<b>KEYSTONE ELECTRONICS CORP.</b>			
www.keyelco.com • NEW HYDE PARK NY 11040 • Tel (516)328-7500			
PART NAME		BUSHING	
MATERIAL		ACETAL (NATURAL COLOR)	
FINISH	NONE	DRN BY	BOONE
		DATE	7.26.83
		APP'D	RH
		SCALE	7X
TOLERANCES	INCH [MM]	CODE	DWG NO.
DECIMAL	± .003 [± 0.07 ]	C	<b>4684</b>
ANGULAR	± 1°		
UNLESS OTHERWISE SPECIFIED			