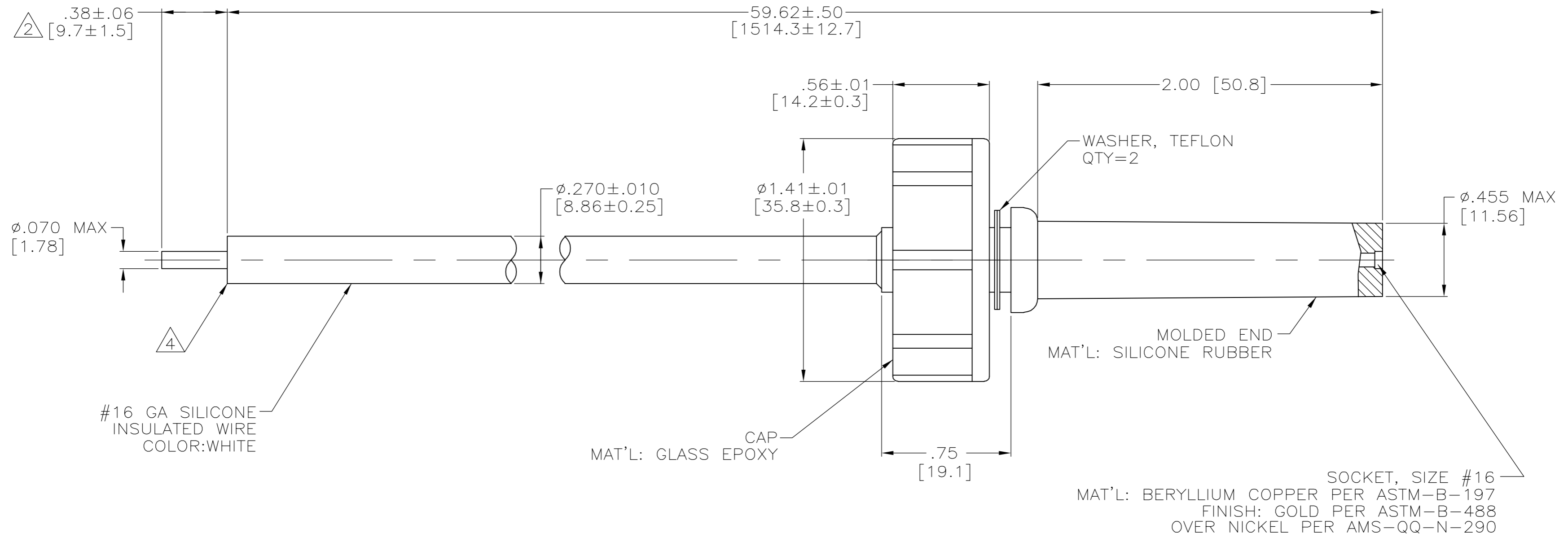


THIS DRAWING IS UNPUBLISHED. RELEASED FOR PUBLICATION - N/A .  
 © COPYRIGHT N/A BY TYCO ELECTRONICS CORPORATION. ALL RIGHTS RESERVED.

LOC	DIST	REVISIONS					
DF	SO	P	LTR	DESCRIPTION	DATE	DWN	APVD
		D		REV PER ECO-05-002595	07-05	AA	DE

1. TO MATE WITH AMP LGH-4 RECEPTACLE WITH 2.00 [50.8] BARREL DEPTH.
2. PIGTAIL IS SOLDER DIPPED.
3. MAX OPERATING VOLTAGE: 40 KVDC
4. INSULATION CUT, BUT NOT REMOVED.



4	5-867566-1
2	867566-1
REMARKS	PART NO.

THIS DRAWING IS A CONTROLLED DOCUMENT.		DWN	12-AUG-96	 Tyco Electronics Corporation Harrisburg, Pa 17105-3608			
DIMENSIONS:		CHK	13-AUG-96				
INCHES [mm]		APVD	13-AUG-96				
TOLERANCES UNLESS OTHERWISE SPECIFIED:		NAME					
0 PLC	± -	S.GLATFELTER		CABLE ASSY LGH-1 WITH LGH-4 MOLDED END			
1 PLC	± -	S.GLATFELTER					
2 PLC	± .03 [0.8]	S.GLATFELTER					
3 PLC	± .015 [0.38]	S.GLATFELTER					
4 PLC	± -	S.GLATFELTER		SIZE	CAGE CODE	DRAWING NO	RESTRICTED TO
ANGLES	± -	S.GLATFELTER		A2	00779	C=867566	-
FINISH	-	S.GLATFELTER		SCALE		SHEET	REV
MATERIAL	-	S.GLATFELTER		2:1		1 OF 1	D
		CUSTOMER DRAWING					