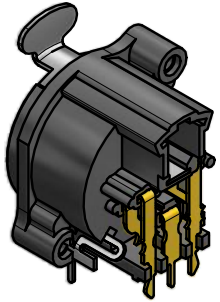
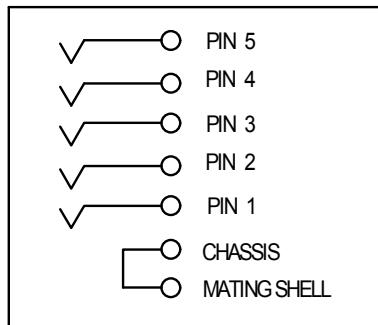
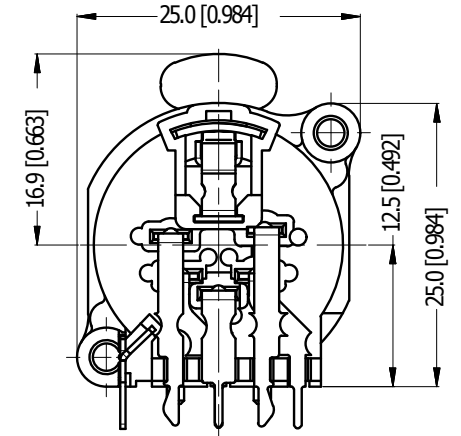
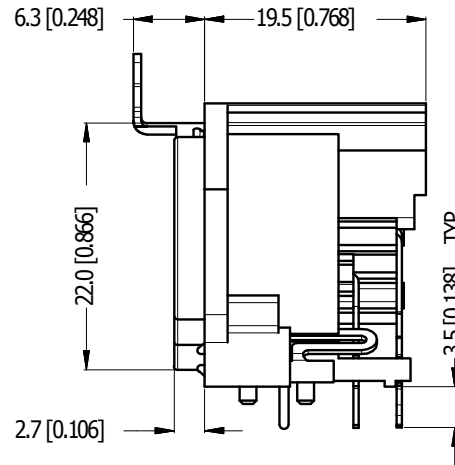
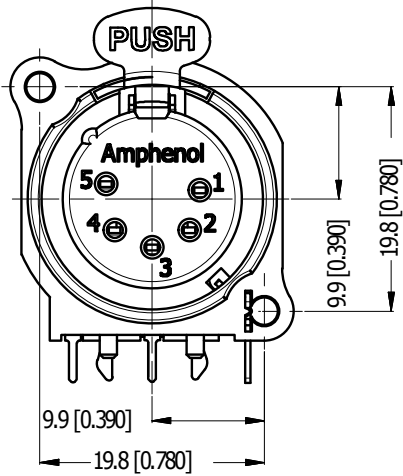
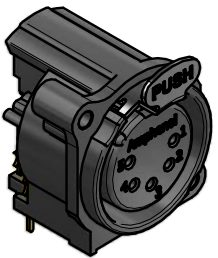


LEGEND = KEY PRODUCT CHARACTERISTICS

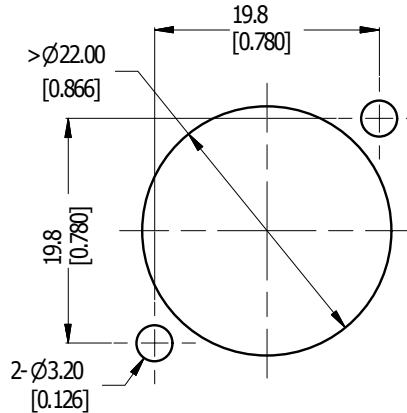
REV	DESCRIPTION	DATE	BY	ECN
0	FIRST ISSUE	20-08-08	MH	---
1	ADD -B TO PN	26-08-15	MH	---
2	CHANGE MATERIAL FROM UL94HB TO UL94V-0	01-04-20	MH	9593



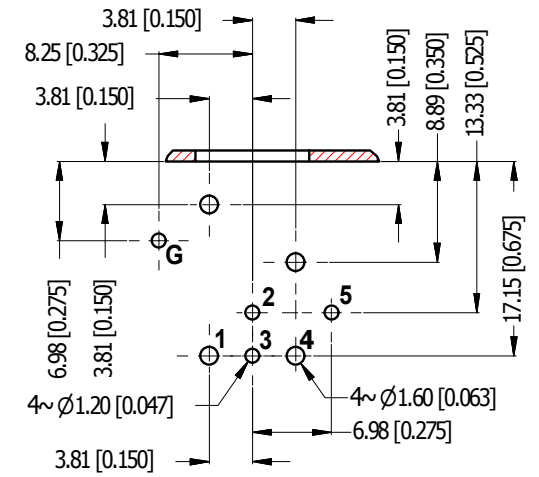
3D VIEW (1:1)



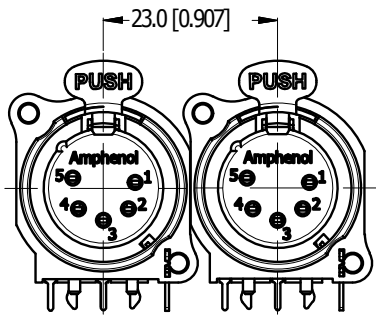
SCHMATIC CHART



PANEL CUT OUT REAR VIEW



PCB LAYOUT COMPONENT SIDE TOLERANCE: ± 0.05mm [.002"]



MIN MOUNTING PITCH (SCALE 1:1)

UNLESS OTHERWISE SPECIFIED TOLERANCE TO BE	
LINEAR	ANGULAR
X ± 0.5	X° ± 1
XX ± 0.2	XX° ± 30'
XXX ± 0.1	XXX° ± 15'

BREAK ALL SHARP EDGES AND REMOVE ALL BURRS

DO NOT SCALE

THIS DOCUMENT IS THE PROPERTY OF AMPHENOL AUSTRALIA PTY. LTD. NO PART THEREOF MAY BE REPRODUCED AND USED WITHOUT THE PRIOR WRITTEN CONSENT OF THE OWNER

MATERIAL: SEE COMPONENT	DRN: M.H	DATE: 20-08-08
FINISH: SEE COMPONENT	CKD: M.H	DATE: 01-04-20
	APP'D: P.M	DATE: 01-04-20
DIMENSIONS IN MILLIMETRES	SCALE: 3:2	SIZE: A4

Amphenol Amphenol Australia Pty.Ltd, 22 Industry Blvd, Carrum Downs, VIC 3201

TITLE: AC5FAH-AU-B HORIZONTAL FEMALE CUSTOMER DRAWING	PART No. AC5FAH-AU-B
CAD FILE 5501445000112	DRAWING No. 55010445-000-2
	SHEET 2/2