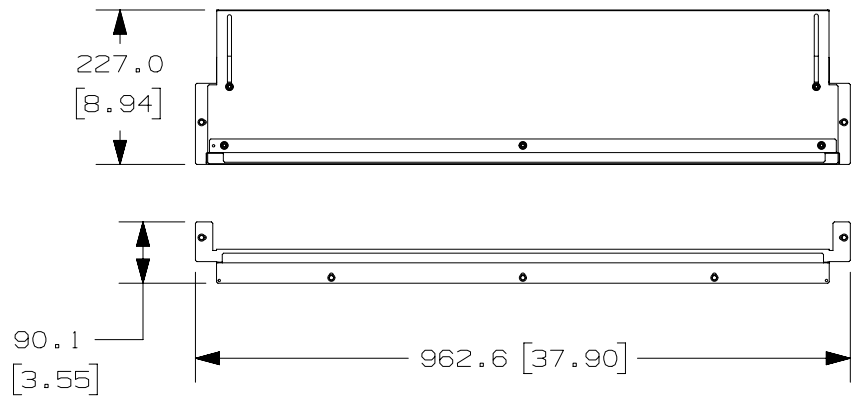
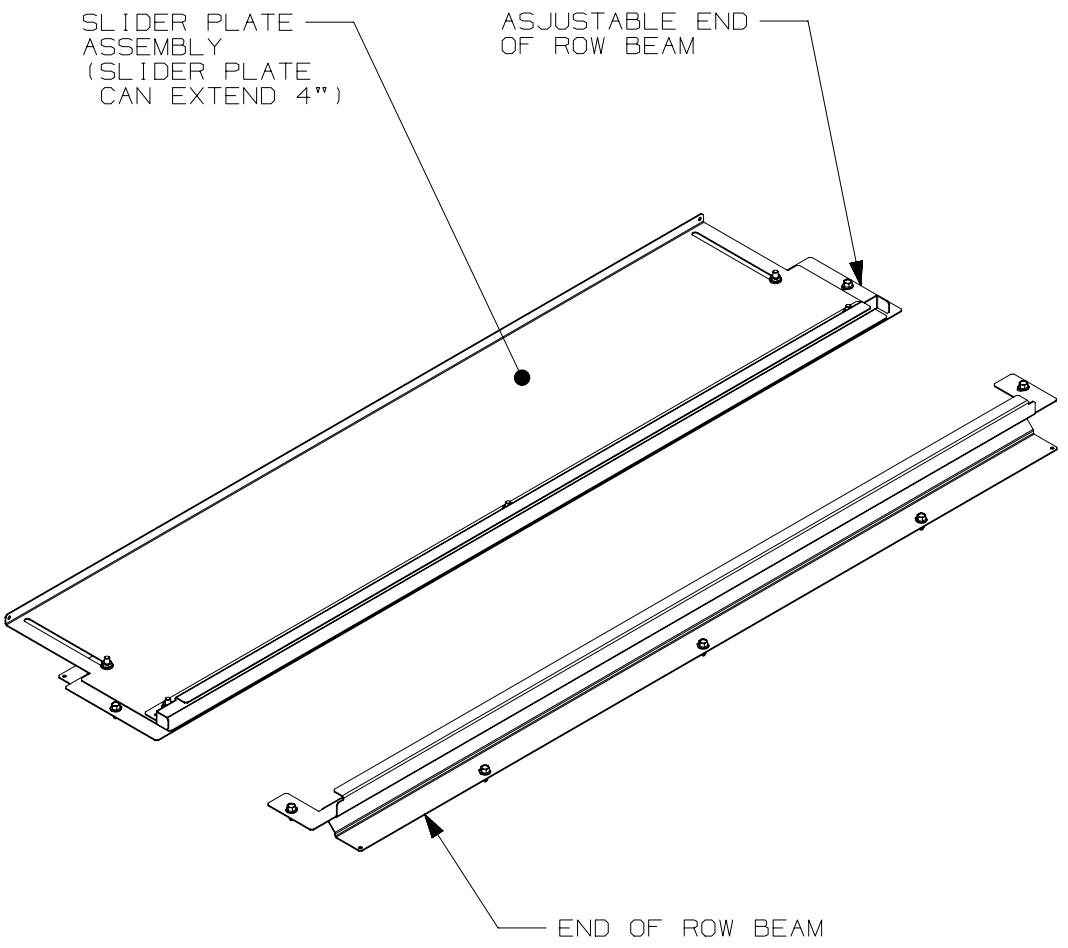


THIS COPY IS PROVIDED ON A RESTRICTED BASIS AND IS NOT TO BE USED IN ANY WAY DETRIMENTAL TO THE INTERESTS OF PANDUIT CORP.

| PANDUIT P/N  | DESCRIPTION                 | COLOR | WEIGHT                        |
|--------------|-----------------------------|-------|-------------------------------|
| CUEORF03DPB1 | END OF ROW BEAM KIT - 900mm | BLACK | 4.0 Kg/EACH<br>[8.8 lbs/EACH] |
| CUEORF03DPW1 | END OF ROW BEAM KIT - 900mm | WHITE | 4.0 Kg/EACH<br>[8.8 lbs/EACH] |

- VISIT OUR ON-LINE CATALOG AT [WWW.PANDUIT.COM](http://WWW.PANDUIT.COM) FOR A LIST OF CURRENT PARTS APPLICABLE FOR USE WITH THIS PRODUCT.
- PARTS SUPPLIED:
  - 1- END OF ROW BEAM ADJUSTABLE
  - 1- END OF ROW BEAM
  - 1- SLIDER PLATE ASSEMBLY
  - 1- HARDWARE KIT
  - 1- INSTRUCTION SHEET
- PRIMARY DIMENSIONS ARE IN MILLIMETERS.
- FOR USE WITH PANDUIT 900mm WIDTH AISLE NET-CONTAIN UNIVERSAL AISLE CONTAINMENT (UAC) SYSTEM.
- ORDER ONE END OF ROW KIT PER UAC CONTAINMENT STRUCTURE
- SEE CUSTOMER DRAWINGS 00047NWA FOR RELATED COMPONENTS.



|                    |         |  |       |
|--------------------|---------|--|-------|
| TITLE              |         | <b>END OF ROW KIT - 900mm<br/>(CUEORF03DP**)</b> |       |
|                    |         | CUSTOMER DRAWING                                 |       |
| ITEM REVISION NAME |         | <b>00047NWB/00</b>                               |       |
| DATASET FILE NAME  |         | <b>00047NWB_DC/00A</b>                           |       |
|                    |         | <b>PANDUIT</b>                                   |       |
|                    |         | MATERIAL:<br><br>N/A                             |       |
|                    |         | DRAWING NUMBER:<br><b>00047NWB-DC</b>            |       |
|                    |         | THIRD ANGLE PROJECTION                           |       |
| DRAWN BY           | DATE    | CHK  | SCALE |
| LEE                | 4-24-18 | MSH  | NONE  |
| SHT 1 OF 1         |         | A  |       |

D10100DA/16

| REV | DATE    | BY  | CHK | APR | DESCRIPTION            | ECN         |
|-----|---------|-----|-----|-----|------------------------|-------------|
| 00A | 4-24-18 | LEE | MSH | SJP | RELEASED TO PRODUCTION | V09001QD/01 |