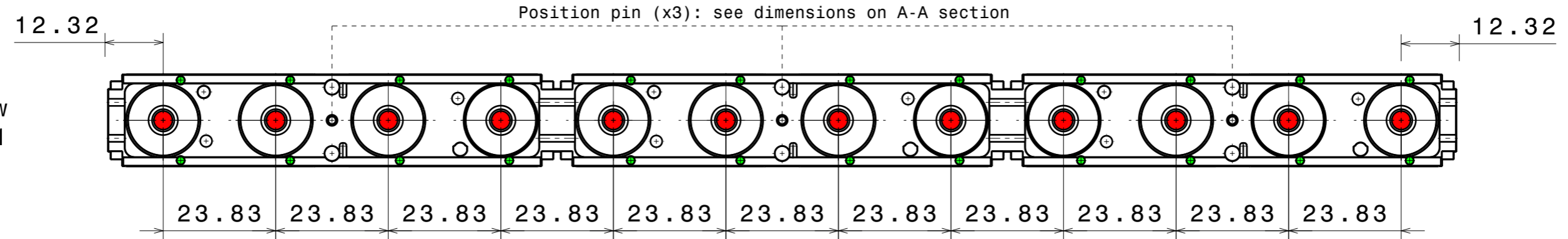
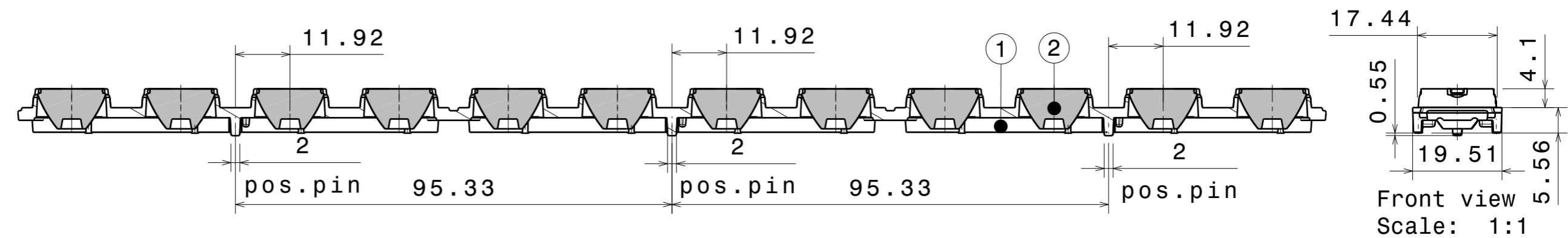


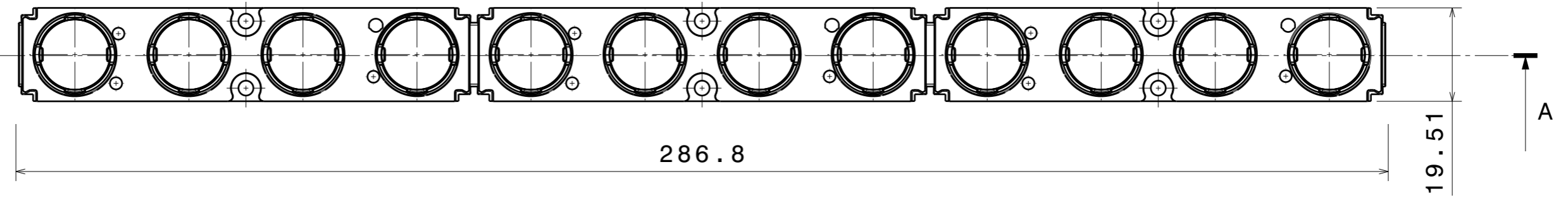
Bottom view  
Scale: 1:1



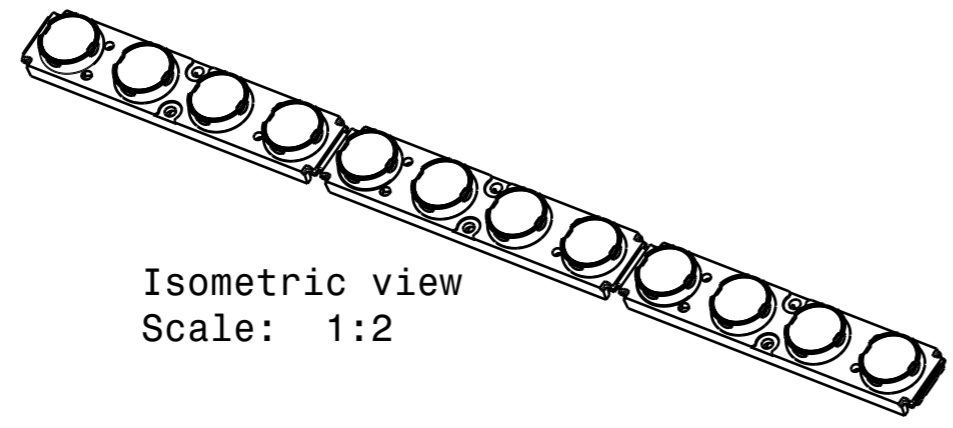
Section view A-A  
Scale: 1:1



Top view  
Scale: 1:1



Isometric view  
Scale: 1:2



CC16392\_FLORENTINA-BW

COMPONENTS				
INDEX	PART NO	DESCRIPTION	MATERIAL	COLOUR
1	C14445	FLORENTINA-HLD	PC	black
2	F16390	TINA-BW (12 pcs)	PMMA	clear

MECHANICAL DRAWING			<b>LEDiL</b> <sup>®</sup>	
PRODUCT				
Florentina-BW			This drawing is the property of LEDiL Oy. It may not be reproduced, copied or communicated without a written agreement with LEDiL Oy.	
Plastic moulding general tolerances according to DIN 16901-130 and applies if not otherwise shown in the drawing. Silicone moulding general tolerances according to ISO 3302-1 Class M3 and applies if not otherwise shown in the drawing.		FIRST ANGLE PROJECTION: 		
SCALE	1:1	-	A3	SHEET 1/1

- Notes**
- PCB or Heat Sink level
  - Led location see marking.
  - Ensure LED fitting, see our web site and/or 3D model for part detail.
  - Optional parts can be shown in drawing.