

MT9J003I12STMVH-GEVB

MT9J003 Evaluation Board User's Manual



ON Semiconductor®

www.onsemi.com

EVAL BOARD USER'S MANUAL



Figure 1. MT9J003 Evaluation Board

Evaluation Board Overview

The evaluation boards are designed to demonstrate the features of ON Semiconductor's image sensors products. This headboard is intended to plug directly into the Demo 2X system. Test points and jumpers on the board provide access to the clock, I/Os, and other miscellaneous signals.

Features

- Clock Input
 - ◆ Default – 10 MHz Crystal Oscillator
 - ◆ Optional Demo 2X Controlled MCLK
- Two Wire Serial Interface
 - ◆ Selectable Base Address
- Parallel Interface
- HiSPi (High Speed Serial Pixel) Interface
- ROHS Compliant

Block Diagram

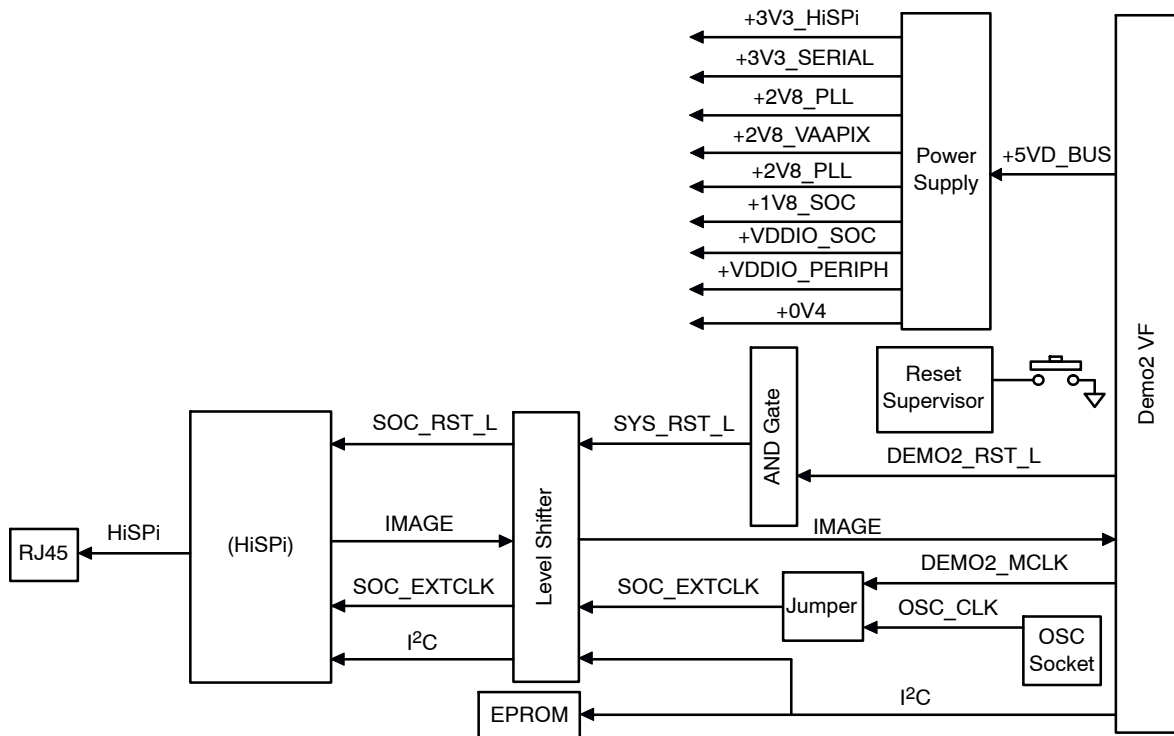


Figure 2. Block Diagram of MT9J003I12STMVH-GEVB

MT9J003I12STMVH-GEVB

Top View

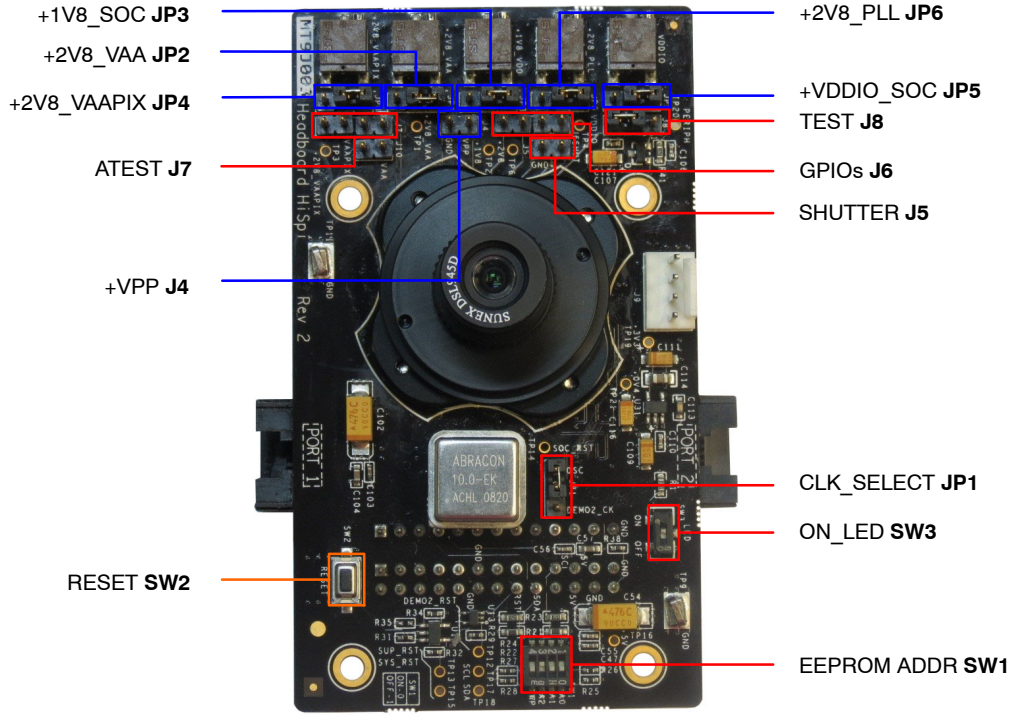


Figure 3. Top View of Evaluation Board – Default Jumpers

Bottom View

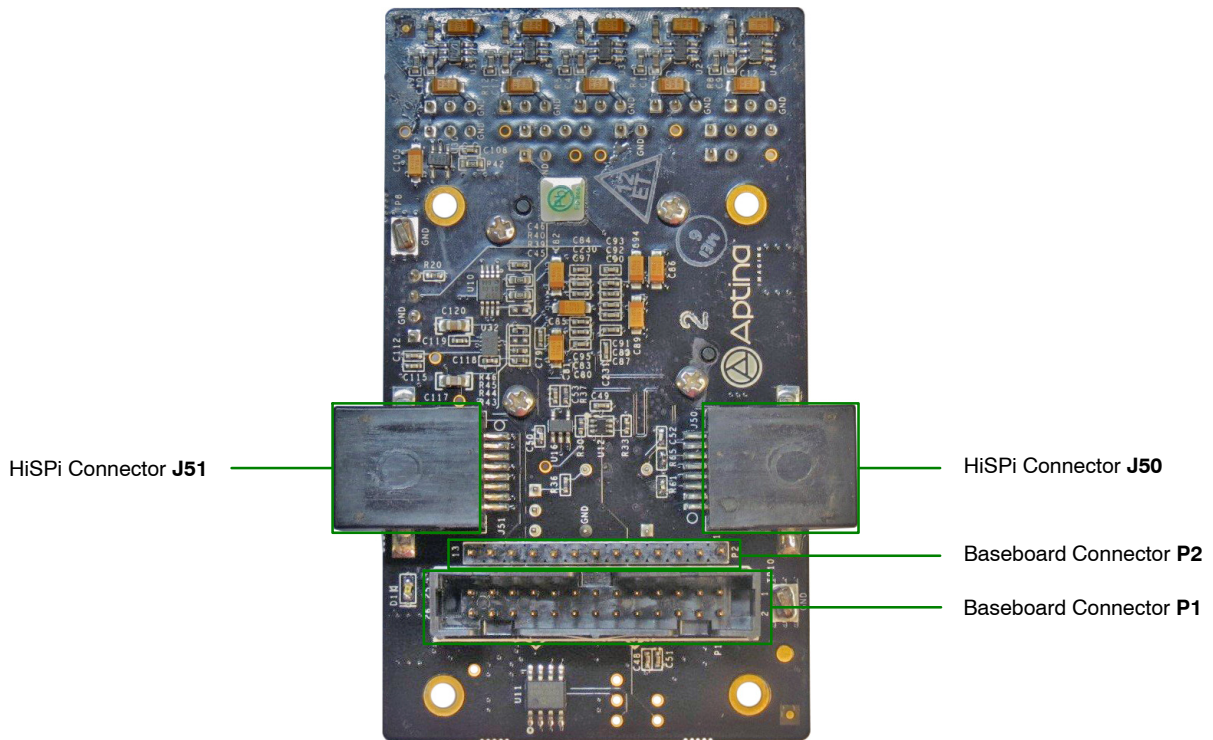


Figure 4. Bottom View of the Evaluation Board – Connectors

Jumper Pin Locations

The jumpers on headboards start with Pin 1 on the leftmost side of the pin. Grouped jumpers increase in pin size with each jumper added.

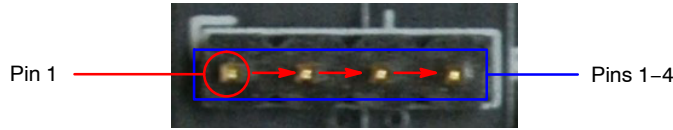


Figure 5. Pin Locations for a Single Jumper.
Pin 1 is Located at the Leftmost Side and Increases as it Moves to the Right

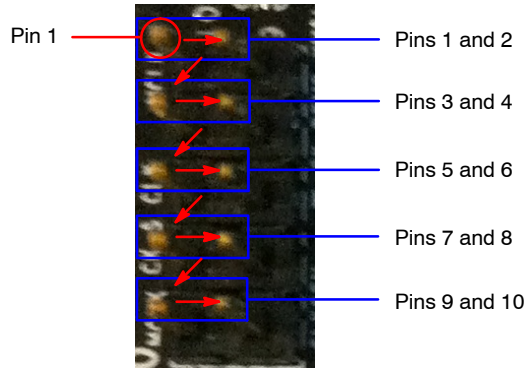


Figure 6. Pin Locations and Assignments of Grouped Jumpers.
Pin 1 is Located at the Top-Left Corner and Increases in a Zigzag Fashion Shown in the Picture



Figure 7. EEPROM Switches in their Defaults Positions. The First Switch (A0) of SW1 is ON, the Second Switch(A1) is ON, the Third switch (A2) is OFF, and the Fourth Switch (WP) is ON

Jumper/Header Functions & Default Positions

Table 1. JUMPERS AND HEADERS

| Jumper/Header No. | Jumper/Header Name | Pins | Description |
|-------------------|--------------------|---------------|---|
| JP1 | CLK_SELECT | 1-2 (Default) | Connects to on-board oscillator |
| | | 2-3 | Connects to external clock from Demo 2X board |
| JP2 | +2V8_VAA | 1-2 (Default) | Connects to on-board +2V8_VAA power supply |
| | | 2-3 | Connection to external power supply |
| JP3 | +1V8_SOC | 1-2 (Default) | Connects to on-board +1V8_SOC power supply |
| | | 2-3 | Connection to external power supply |

MT9J003I12STMVH-GEVB


Table 1. JUMPERS AND HEADERS (continued)

| Jumper/Header No. | Jumper/Header Name | Pins | Description |
|-------------------|--------------------|---|--|
| JP4 | +2V8_VAAPIX | 1-2 (Default) | Connects to on-board +2V8_VAAPIX power supply |
| | | 2-3 | Connection to external power supply |
| JP5 | +VDDIO_SOC | 1-2 (Default) | Connects to on-board +VDDIO_SOC power supply |
| | | 2-3 | Connection to external power supply |
| JP6 | +2V8_PLL | 1-2 (Default) | Connects to on-board +2V8_PLL power supply |
| | | 2-3 | Connection to external power supply |
| J4 | +VPP | Open (Default) | Connects to external +VPP power supply for OTPM |
| J5 | SHUTTER | Open (Default) | Connects to external shutter |
| J6 | GPIOs | Open (Default) | Connects to various sensor's settings |
| J7 | ATEST | Open (Default) | For debug/test |
| J8 | TEST | 2-3 (Default) | Normal operation |
| | | 1-2 | Test mode |
| SW1 | EEPROM ADDR | P24 Open, P23 Closed, P27 Closed (Default) | EEPROM Address set to 0xA8 |
| | | P24 Open, P23 Open, P27 Closed | EEPROM Address set to 0xAC |
| | | P24 Closed, P23 Open, P27 Closed | EEPROM Address set to 0xA4 |
| | | P24 Closed, P23 Closed, P27 Closed | EEPROM Address set to 0xA0 |
| SW2 | RESET | N/A | When pushed, 200 ms reset signal will be sent to MT9J003 |
| SW3 | ON_LED | On (Default) | Turns on +5V LED indicator |
| | | Off | Turns off +5V LED indicator |

Interfacing to ON Semiconductor Demo 2X Baseboard

The ON Semiconductor Demo 2X baseboard has a similar 26-pin connector and 13-pin connector which mate

with P1 and P2 of the headboard. The four mounting holes secure the baseboard and the headboard with spacers and screws.

ON Semiconductor and  are trademarks of Semiconductor Components Industries, LLC dba ON Semiconductor or its subsidiaries in the United States and/or other countries. ON Semiconductor owns the rights to a number of patents, trademarks, copyrights, trade secrets, and other intellectual property. A listing of ON Semiconductor's product/patent coverage may be accessed at www.onsemi.com/site/pdf/Patent-Marking.pdf. ON Semiconductor reserves the right to make changes without further notice to any products herein. ON Semiconductor makes no warranty, representation or guarantee regarding the suitability of its products for any particular purpose, nor does ON Semiconductor assume any liability arising out of the application or use of any product or circuit, and specifically disclaims any and all liability, including without limitation special, consequential or incidental damages. Buyer is responsible for its products and applications using ON Semiconductor products, including compliance with all laws, regulations and safety requirements or standards, regardless of any support or applications information provided by ON Semiconductor. "Typical" parameters which may be provided in ON Semiconductor data sheets and/or specifications can and do vary in different applications and actual performance may vary over time. All operating parameters, including "Typicals" must be validated for each customer application by customer's technical experts. ON Semiconductor does not convey any license under its patent rights nor the rights of others. ON Semiconductor products are not designed, intended, or authorized for use as a critical component in life support systems or any FDA Class 3 medical devices or medical devices with a same or similar classification in a foreign jurisdiction or any devices intended for implantation in the human body. Should Buyer purchase or use ON Semiconductor products for any such unintended or unauthorized application, Buyer shall indemnify and hold ON Semiconductor and its officers, employees, subsidiaries, affiliates, and distributors harmless against all claims, costs, damages, and expenses, and reasonable attorney fees arising out of, directly or indirectly, any claim of personal injury or death associated with such unintended or unauthorized use, even if such claim alleges that ON Semiconductor was negligent regarding the design or manufacture of the part. ON Semiconductor is an Equal Opportunity/Affirmative Action Employer. This literature is subject to all applicable copyright laws and is not for resale in any manner.

PUBLICATION ORDERING INFORMATION

LITERATURE FULFILLMENT:

Literature Distribution Center for ON Semiconductor
19521 E. 32nd Pkwy, Aurora, Colorado 80011 USA
Phone: 303-675-2175 or 800-344-3860 Toll Free USA/Canada
Fax: 303-675-2176 or 800-344-3867 Toll Free USA/Canada
Email: orderlit@onsemi.com

N. American Technical Support: 800-282-9855 Toll Free
USA/Canada
Europe, Middle East and Africa Technical Support:
Phone: 421 33 790 2910
Japan Customer Focus Center
Phone: 81-3-5817-1050

ON Semiconductor Website: www.onsemi.com
Order Literature: <http://www.onsemi.com/orderlit>
For additional information, please contact your local Sales Representative