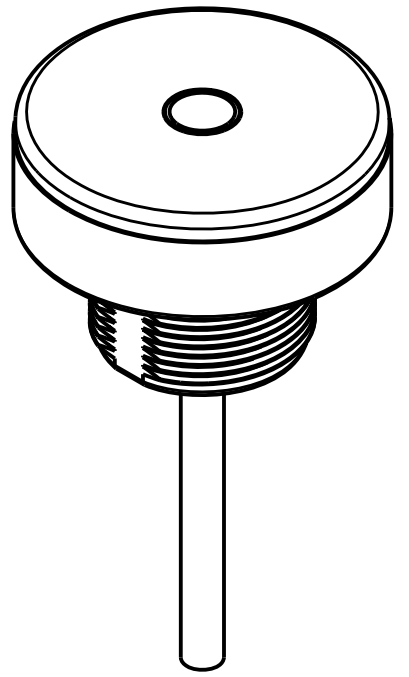


$\varnothing 10,3$
 [.41]
 $\varnothing 50$
 [1.97]

16,5
 [.65]
 36,5
 [1.44]
 M30 X 1.5-6g
 1/2-14 NPSM



ISOMETRIC VIEW
SCALE 1:1

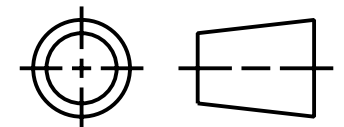
NOTES:
 1. ALL DIMENSIONS ARE MILLIMETERS [INCHES] UNLESS OTHERWISE NOTED.

This drawing is the property
 of BANNER ENGINEERING CORP.
 and is proprietary in general
 and in detail. Its contents
 shall not be revealed to
 outside parties without
 written consent of BANNER.



BANNER ENGINEERING CORP.
 P.O. BOX 9414
 MINNEAPOLIS, MN 55440

THIRD ANGLE PROJECTION



TITLE

WL50PB CABLE
WEB CAD DRAWINGS 2D/3D

SIZE B	DRAWING NO. 151344	REV. A
-----------	------------------------------	------------------

SCALE 1:1	SHEET 1 OF 1
--------------	-----------------

PRO/E