


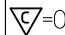
MATERIALS AND FINISHES

SEE SD-73415-106

P/N: 73366-6330: THIS IS P/N: 73415-1063 PLACED IN A SINGLE BAG WITH LABEL

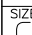
CHG: RELEASE
DRAWING.
EC NO: URF-2011-0652
DRAWN: AROBERTSON 2011/05/04
CHKD: SSS 2011/05/04
APPR: JWIENER 2011/05/05

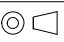

DESCRIPTION
REV
A

QUALITY SYMBOLS
 =0
 =0
 GENERAL TOLERANCES (UNLESS SPECIFIED)

	mm	INCH
4 PLACES	± .---	± .---
3 PLACES	± .---	± .---
2 PLACES	± .---	± .---
1 PLACE	± .---	± .---
ANGULAR	± ---°	

DRAFT WHERE APPLICABLE
MUST REMAIN
WITHIN DIMENSIONS

DIMENSION STYLE
MM/IN
 DRAWN BY DATE
 AROBERTSON 2011/05/04
 CHECKED BY DATE
 SSS 2011/05/04
 APPROVED BY DATE
 JWIENER 2011/05/05
 MATERIAL NO.
 SEE TABLE
 SIZE


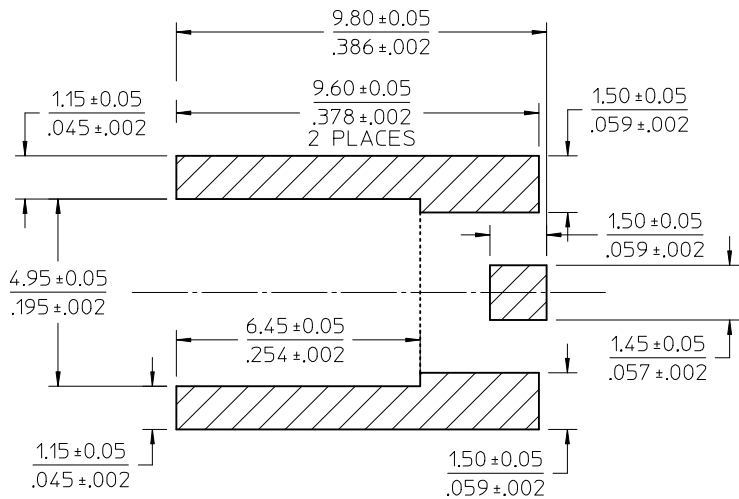
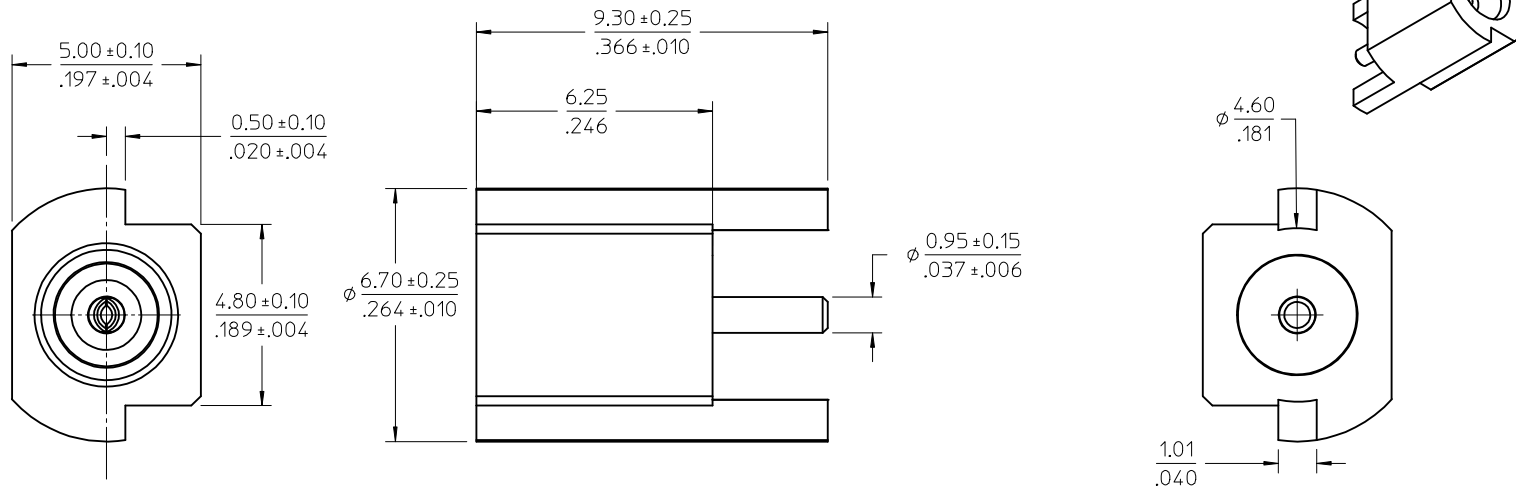
SCALE
DESIGN UNITS
METRIC
 THIRD ANGLE PROJECTION
 TITLE
 MCX JACK
 EDGELAUNCH SMT PCB
 MCX-J/PCB
 MOLEX INCORPORATED
 DOCUMENT NO.
 SD-73366-633
 SHEET NO.
 1 OF 1
 THIS DRAWING CONTAINS INFORMATION THAT IS PROPRIETARY TO MOLEX INCORPORATED AND SHOULD NOT BE USED WITHOUT WRITTEN PERMISSION

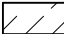
MATERIAL&FINISHES:

BODY: BRASS
PLATING: SEE TABLE

CONTACT: BERYLLIUM COPPER
PLATED GOLD

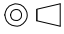
INSULATOR: TEFLON

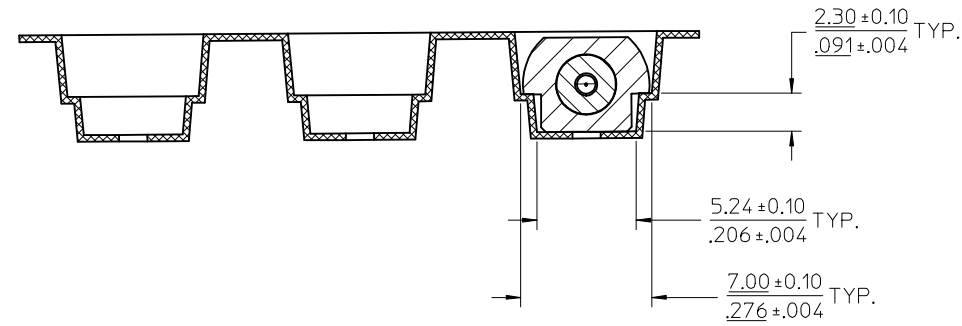
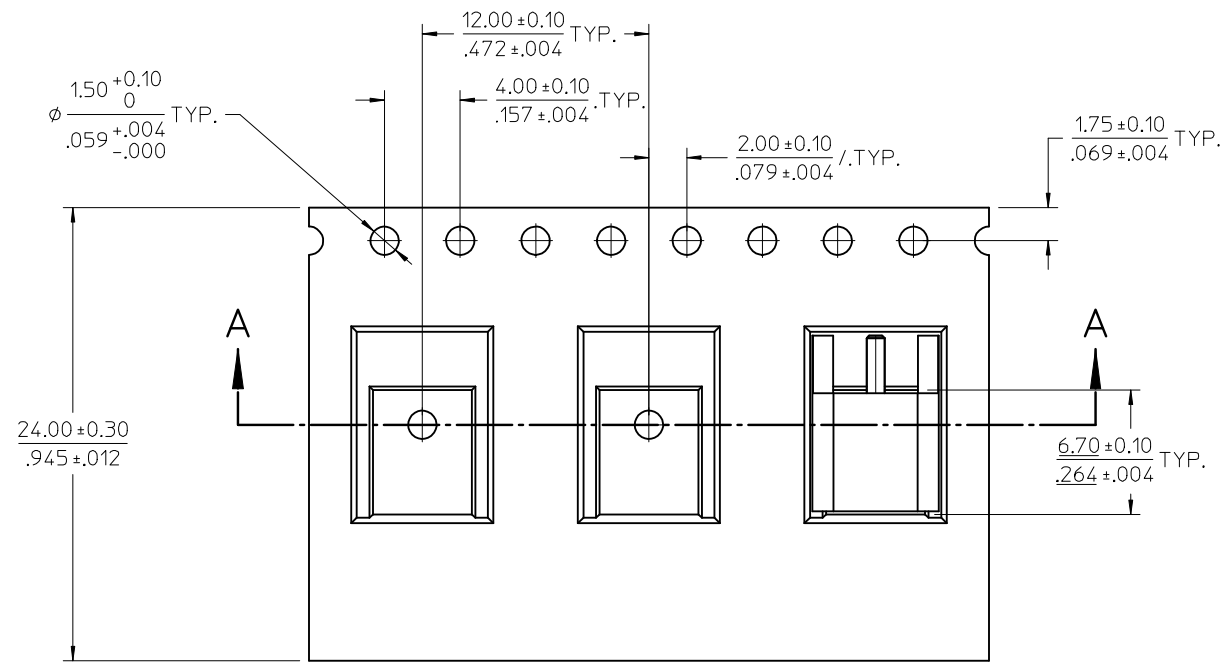


RECOMMENDED PCB LAYOUT  SOLDER PAD

73366-6330	GOLD FLASH	ONE PIECE PER BAG
73415-1069	GOLD (5u")	TAPE AND REEL
73415-1068	GOLD (5u")	TRAY
73415-1067	TRI-M	SMALL TRAY
73415-1066	TRI-M	TAPE AND REEL
73415-1065	TRI-M	TRAY
73415-1064	GOLD FLASH	TAPE AND REEL
73415-1063	GOLD FLASH	TRAY
73415-1062	GOLD (30u")	SMALL TRAY
73415-1061	GOLD (30u")	TAPE AND REEL
73415-1060	GOLD (30u")	TRAY
PART NO.	BODY PLATING	PACKAGING

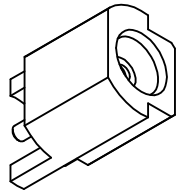
PS-89675-1830	PRODUCT SPECIFICATION
CECC-22-220	INTERFACE
SPECIFICATION	DESCRIPTION

ADDED SHEET 4 PER RF-13-E035 EC NO: URF2013-0179 DRWNLIN 2012/09/19 CHKD: DRWNLIN APPR: MHIANG 2012/10/04	QUALITY SYMBOLS	GENERAL TOLERANCES (UNLESS SPECIFIED)	DIMENSION STYLE	SCALE	DESIGN UNITS	THIRD ANGLE PROJECTION
	$\nabla=0$	mm INCH	MM/IN	10:1	METRIC	
	$\nabla=0$	4 PLACES \pm ---	DRAWN BY DATE	EDC 1999/02/15	TITLE	MCX JACK EDGE MOUNT PCB RECEPTACLE MCX-J/PCB
	$\nabla=0$	3 PLACES \pm ---	CHECKED BY DATE	DHG 1999/02/15	molex	
$\nabla=0$	2 PLACES \pm ---	APPROVED BY DATE	GMH 1999/02/15	DOCUMENT NO.		SD-73415-106
	1 PLACE \pm ---	ANGULAR $\pm 2^\circ$	MATERIAL NO.	SEE TABLE	SHEET NO.	1 OF 4
	0 PLACE \pm ---	DRAFT WHERE APPLICABLE MUST REMAIN WITHIN DIMENSIONS	SIZE	THIS DRAWING CONTAINS INFORMATION THAT IS PROPRIETARY TO MOLEX INCORPORATED AND SHOULD NOT BE USED WITHOUT WRITTEN PERMISSION		

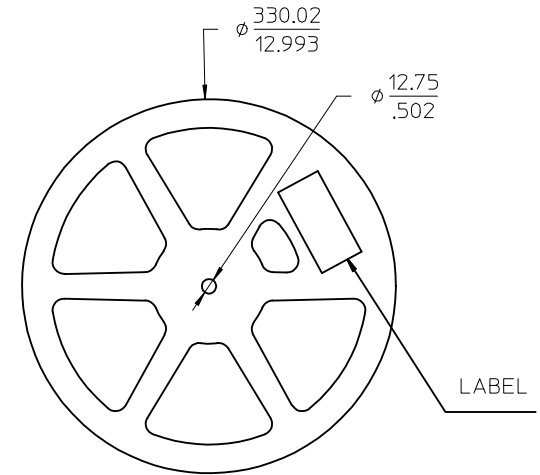
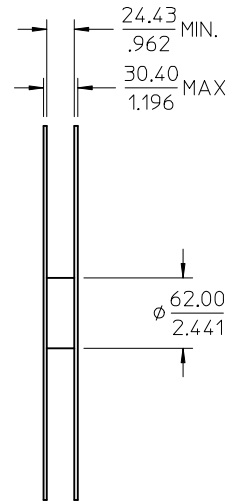


SECTION A-A

SEE SHEET 1 EC NO: URF2013-0179 DRAWN BY: DRWNLIN 2012/09/19 CHKD: APPR:MHUANG 2012/10/04 A13	QUALITY SYMBOLS	GENERAL TOLERANCES (UNLESS SPECIFIED)	DIMENSION STYLE	SCALE	DESIGN UNITS	THIRD ANGLE PROJECTION
	▽=0	mm INCH	MM/IN	5:1	METRIC	☉
	▽=0	4 PLACES ± --- ± ---	DRAWN BY DATE	TITLE		
	▽=0	3 PLACES ± --- ± ---	EDC 1999/02/15	MCX JACK EDGE MOUNT PCB RECEPTACLE		
	2 PLACES ± --- ± ---	CHECKED BY DATE	MCX-J/PCB			
	1 PLACE ± --- ± ---	DHG 1999/02/15	molex			
	0 PLACE ± ±	APPROVED BY DATE	DOCUMENT NO.			
		GMH 1999/02/15	SD-73415-106			
		ANGULAR ± 2 °	SHEET NO.			
		DRAFT WHERE APPLICABLE MUST REMAIN WITHIN DIMENSIONS	2 OF 4			
			THIS DRAWING CONTAINS INFORMATION THAT IS PROPRIETARY TO MOLEX INCORPORATED AND SHOULD NOT BE USED WITHOUT WRITTEN PERMISSION			

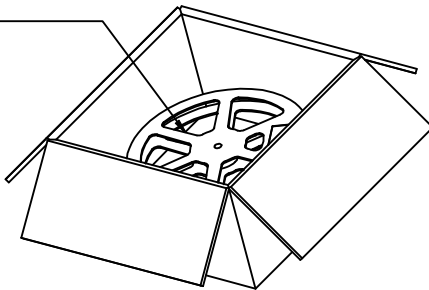


PART NO.73415-1061, 73415-1064
73415-1066, 73415-1069

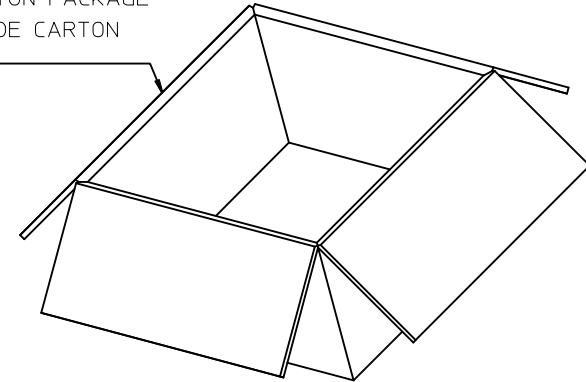


THE PART PACKAGE 1000 PCS PER ONE REEL

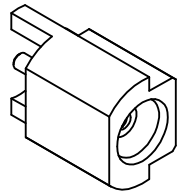
5 REELS (5000 PCS) PACKAGE
PER ONE INNER CARTON



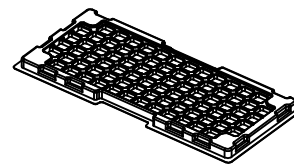
ONE INNER CARTON PACKAGE
PER ONE OUTSIDE CARTON



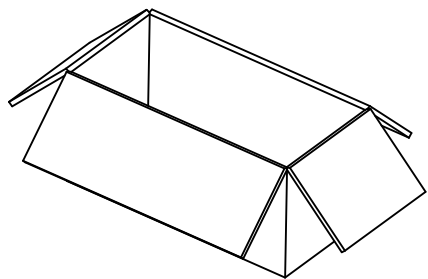
SEE SHEET 1 EC NO: URF2013-0179 DRAWN IN 2012/09/19 CHKD: APPR: MHIANG 2012/10/04	QUALITY SYMBOLS ▽=0 ▽=0 ▽=0	GENERAL TOLERANCES (UNLESS SPECIFIED)		DIMENSION STYLE MM/IN		SCALE 5:1	DESIGN UNITS METRIC	THIRD ANGLE PROJECTION		
		mm	INCH	DRAWN BY EDC	DATE 1999/02/15	TITLE MCX JACK EDGE MOUNT PCB RECEPTACLE MCX-J/PCB				
A13	DESCRIPTION REV	4 PLACES	±	±	CHECKED BY DHG	DATE 1999/02/15	molex			
		3 PLACES	±	±	APPROVED BY GMH	DATE 1999/02/15				
		2 PLACES	±	±	MATERIAL NO.		DOCUMENT NO.		SHEET NO.	
		1 PLACE	±	±	SEE SHEET 1		SD-73415-106		3 OF 4	
		0 PLACE	±	±	DRAFT WHERE APPLICABLE MUST REMAIN WITHIN DIMENSIONS					THIS DRAWING CONTAINS INFORMATION THAT IS PROPRIETARY TO MOLEX INCORPORATED AND SHOULD NOT BE USED WITHOUT WRITTEN PERMISSION



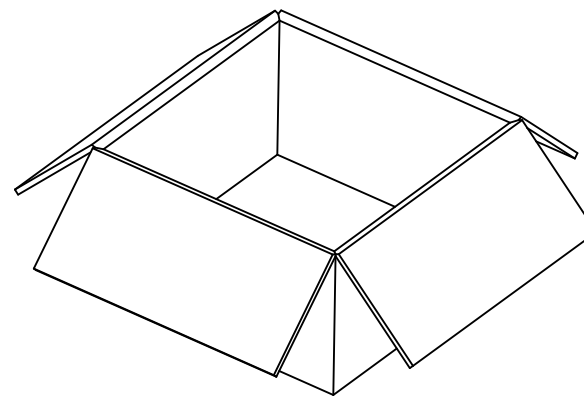
PART NO.73415-1060, 73415-1063
73415-1065, 73415-1068



80 SET PER TRAY
P/N: 89707-0190



1600 SET PER INNER CARTON BOX
P/N: 96707-0001



3200 SET PER OUTER CARTON BOX
P/N: 96708-0005

SEE SHEET 1 EC NO: URF2013-0179 DRAWN: LIN CHKD: APPR: MHIANG REV: A13	QUALITY SYMBOLS	GENERAL TOLERANCES (UNLESS SPECIFIED)		DIMENSION STYLE MM/IN		SCALE 1:5	DESIGN UNITS METRIC	THIRD ANGLE PROJECTION	
	▽=0	mm	INCH	DRAWN BY EDC	DATE 1999/02/15	TITLE MCX JACK EDGE MOUNT PCB RECEPTACLE MCX-J/PCB			
	▽=0	4 PLACES ± --- ± ---		CHECKED BY DHG	DATE 1999/02/15				
	▽=0	3 PLACES ± --- ± ---		APPROVED BY GMH	DATE 1999/02/15	MATERIAL NO.		DOCUMENT NO.	SHEET NO.
▽=0	2 PLACES ± --- ± ---		ANGULAR ± 2 °		SEE SHEET 1		SD-73415-106	4 OF 4	
	1 PLACE ± --- ± ---		DRAFT WHERE APPLICABLE MUST REMAIN WITHIN DIMENSIONS		THIS DRAWING CONTAINS INFORMATION THAT IS PROPRIETARY TO MOLEX INCORPORATED AND SHOULD NOT BE USED WITHOUT WRITTEN PERMISSION				
	0 PLACE ± --- ± ---								