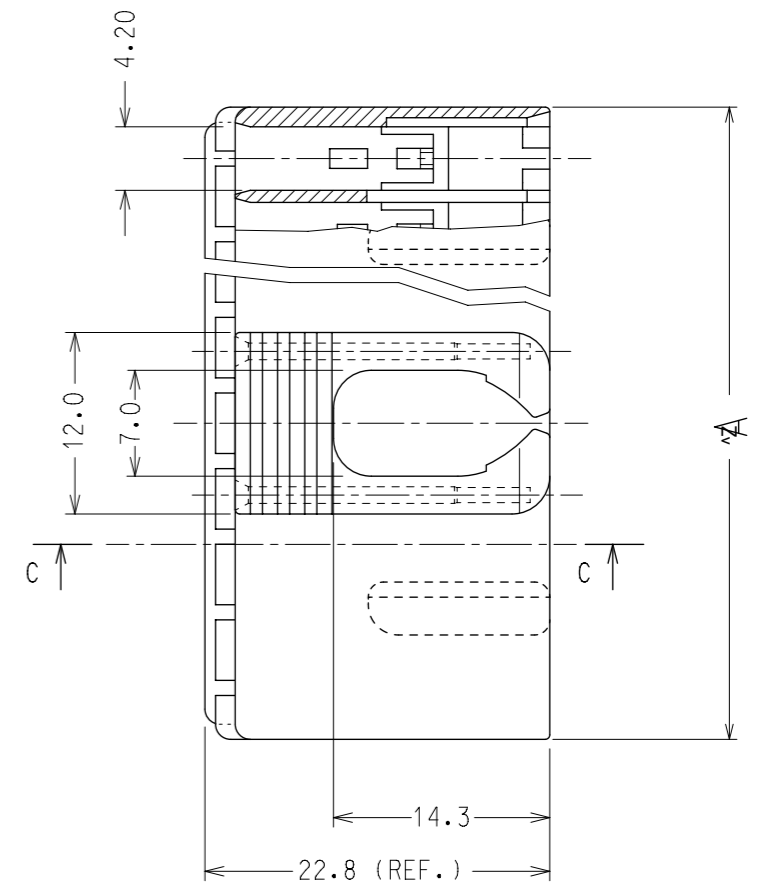
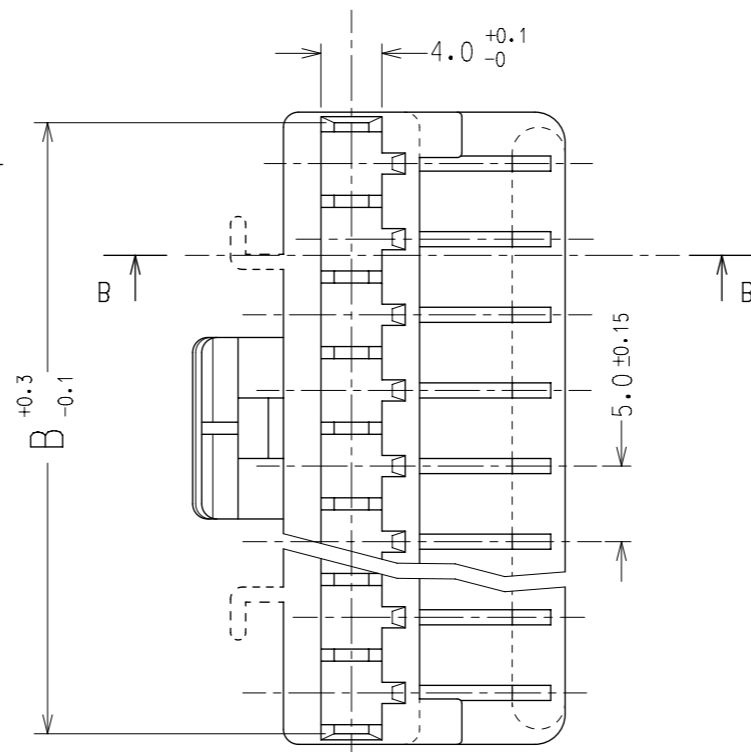
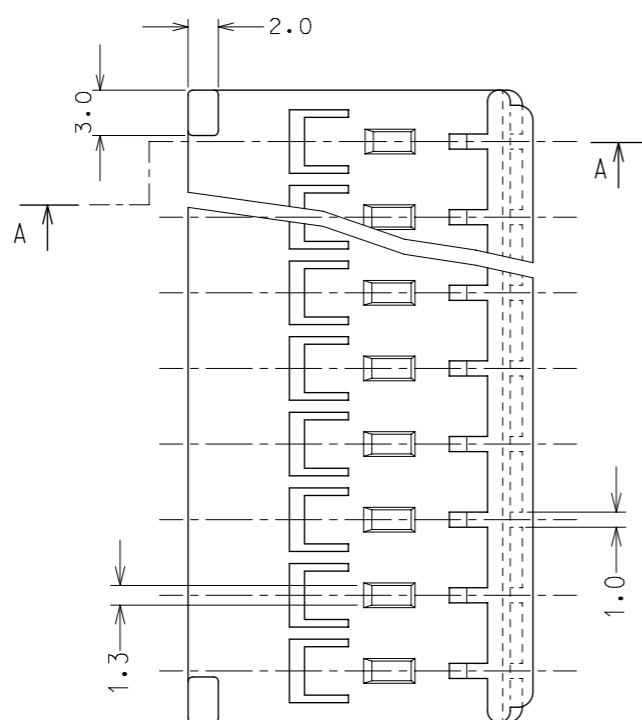
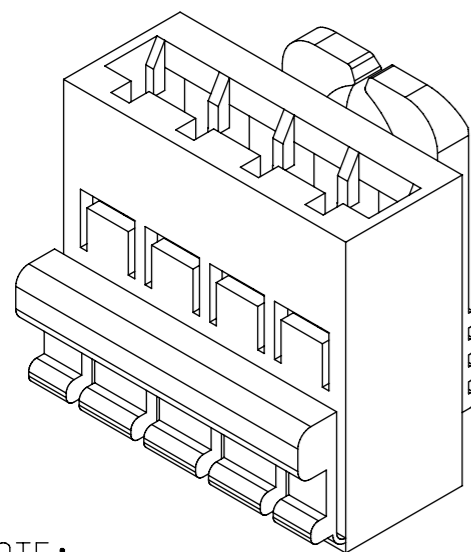


VISTA DELL'HOUSING
CON SECONDARY LOCK CHIUSO
VIEW OF THE HOUSING WITH
THE SEC.LOCK IN LOCKED POSITION



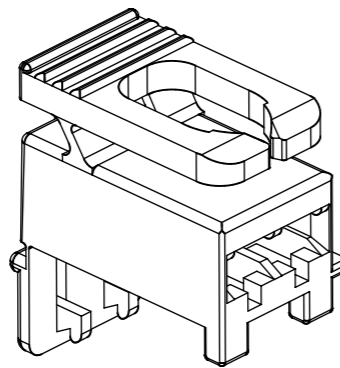
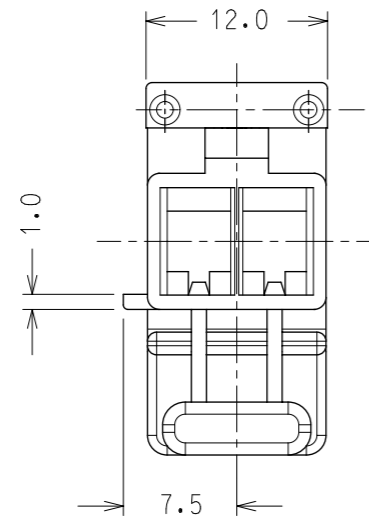
NOTE:

- 1) MATERIALI/ MATERIALS: HOUSING: NYLON 66 NATURALE/PA 66 NATURAL COLOR
PIN: ACCIAIO INOX/STAINLESS STEEL
- 2) PER CODICI, POLARIZZAZIONI, MARCATURE E PACKAGING VEDERE FOGLI SEGUENTI
FOR PART NOS, POLARIZATIONS, MARKINGS AND PACKAGING SEE THE FOLLOWING SHEETS
- 3) LE DIMENSIONI VANNO MISURATE CON CORPI STABILIZZATI SECONDO NG 2301
(AUMENTO IN PESO DEL 2.7 %)
PARTS SHALL BE DIMENSIONALLY CHECKED AFTER ATTAINING EQUILIBRIUM CONDITIONS
E.G. 2.7 % INCREASE IN WEIGHT FOR HUMIDITY ABSORPTION FROM DRY STATUS
- 4) CARATTERISTICHE SECONDO PS 94509
PRODUCT CHARACTERISTICS ACCORDING TO PS 94509 E
- 5) VEDERE FOGLIO 10/10 PER INFORMAZIONI SULLA CONFEZIONE
SEE SHEET 10/10 FOR INFORMATION REGARDING THE PACKAGING

N.° VIE CKT.	2	3	4	5	6	7	8
A	11.8	16.8	21.8	26.8	31.8	36.8	41.8
B	10.4	15.4	20.4	25.4	30.4	35.4	40.4

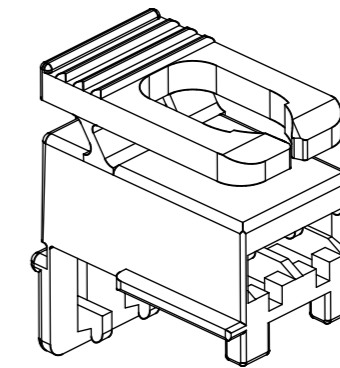
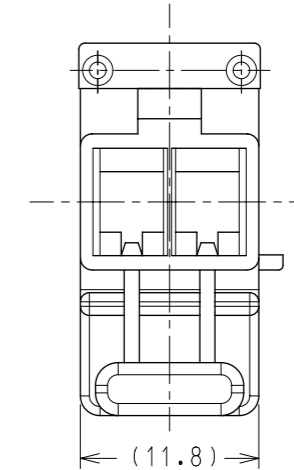
THIS DRAWING CONTAINS INFORMATION THAT IS PROPRIETARY TO MOLEX ELECTRONIC TECHNOLOGIES, LLC AND SHOULD NOT BE USED WITHOUT WRITTEN PERMISSION									
DIMENSION UNITS mm		SCALE 2:1		CURRENT REV DESC:					
GENERAL TOLERANCES (UNLESS SPECIFIED)				<p>HOUSING FOR STRAIGHT FORK TERMINAL (WITH STEEL PINS)</p> <p>PRODUCT CUSTOMER DRAWING</p>					
		MM	INCH						
4 PLACES	±								
3 PLACES	±								
2 PLACES	±	0.1							
1 PLACE	±	0.2		EC NO: 620398		DRWN: AKUMAR19		2019/10/10	
0 PLACES	±			CHK'D: GGA		APPR: GGA		2019/10/18	
ANGULAR TOL		± 2.0°		INITIAL REVISION:		DRWN: SBARBIER		1991/01/23	
				APPR: MPREVIAT				1991/01/24	
DRAFT WHERE APPLICABLE MUST REMAIN WITHIN DIMENSIONS				FIRST ANGLE PROJECTION		DRAWING		SERIES	
						A3-SIZE		94509	
DOCUMENT NUMBER				CUSTOMER		SHEET NUMBER		REVISION	
SD-94509-003				FIAT		1 OF 10		C	

HOUSINGS A 2 VIE: / 2 CKT HOUSINGS:



POLARIZZAZIONE TIPO "A"
TYPE "A" POLARIZATION

N.° VIE	CODICE HOUSING/TIPO POLARIZZAZIONE HOUSING P/N / POLARIZATION	
CKT No.	A	B
2	94509-5210	94509-5220

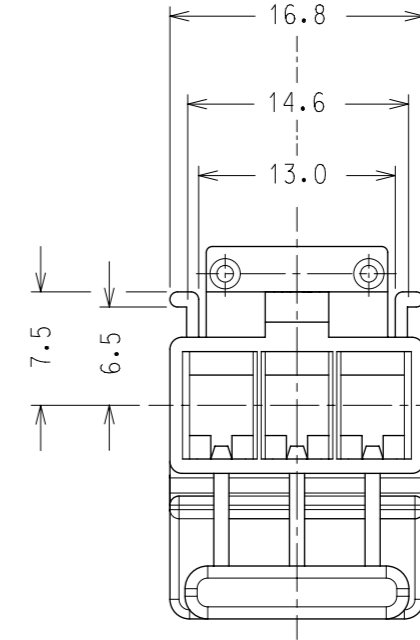
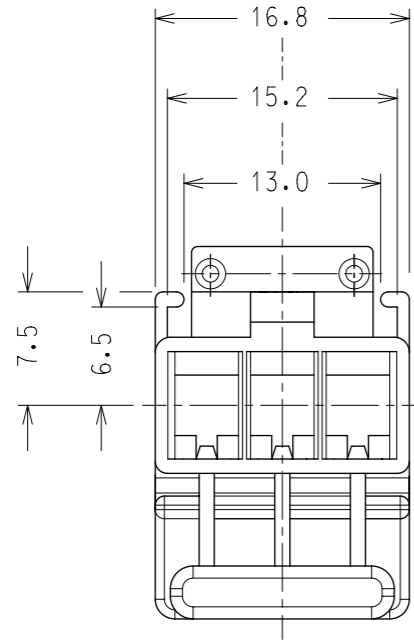


POLARIZZAZIONE TIPO "B"
TYPE "B" POLARIZATION

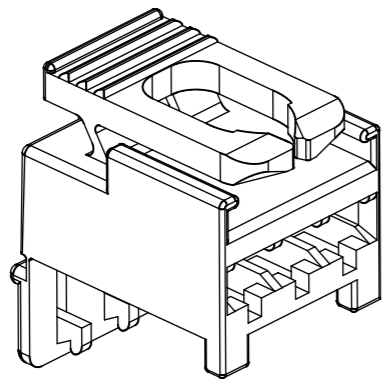
NOTA: QUESTA VERSIONE E' FORNITA SENZA PIOLINI IN ACCIAIO
NOTE: THIS VERSION IS SUPPLIED WITHOUT STEEL PINS

THIS DRAWING CONTAINS INFORMATION THAT IS PROPRIETARY TO MOLEX ELECTRONIC TECHNOLOGIES, LLC AND SHOULD NOT BE USED WITHOUT WRITTEN PERMISSION									
DIMENSION UNITS mm		SCALE 2:1		CURRENT REV DESC:				molex	
GENERAL TOLERANCES (UNLESS SPECIFIED)				EC NO: 620398					
		MM	INCH	DRWN: AKUMAR19		2019/01/10		HOUSING FOR STRAIGHT FORK TERMINAL (WITH STEEL PINS)	
4 PLACES		±	±	CHK'D: GGA		2019/10/18		PRODUCT CUSTOMER DRAWING	
3 PLACES		±	±	APPR: GGA		2019/10/18		DOCUMENT NUMBER	
2 PLACES		± 0.1	±	INITIAL REVISION:		1991/01/23		SD-94509-003	
1 PLACE		± 0.2	±	DRWN: SBARBIER		1991/01/24		DOC TYPE	
0 PLACES		±	±	APPR: MPREVIAT		1991/01/24		DOC PART	
ANGULAR TOL		± 2.0°		SERIES		94509		REVISION	
DRAFT WHERE APPLICABLE MUST REMAIN WITHIN DIMENSIONS		FIRST ANGLE PROJECTION		DRAWING		MATERIAL NUMBER		CUSTOMER	
		A3-SIZE		SEE TABLE		FIAT		SHEET NUMBER	
		2 OF 10							

HOUSINGS A 3 VIE: / 3 CKT HOUSINGS:

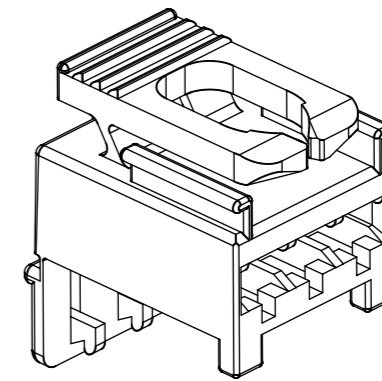


N.° VIE	CODICE HOUSING/TIPO POLARIZZAZIONE	
CKT No.	HOUSING P/N / POLARIZATION	
	A	B
3	94509-5310 *	94509-5320



POLARIZZAZIONE TIPO "A"
TYPE "A" POLARIZATION

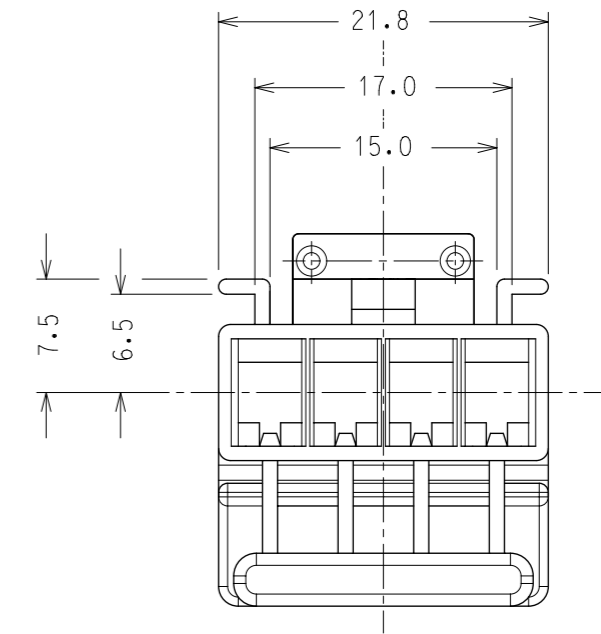
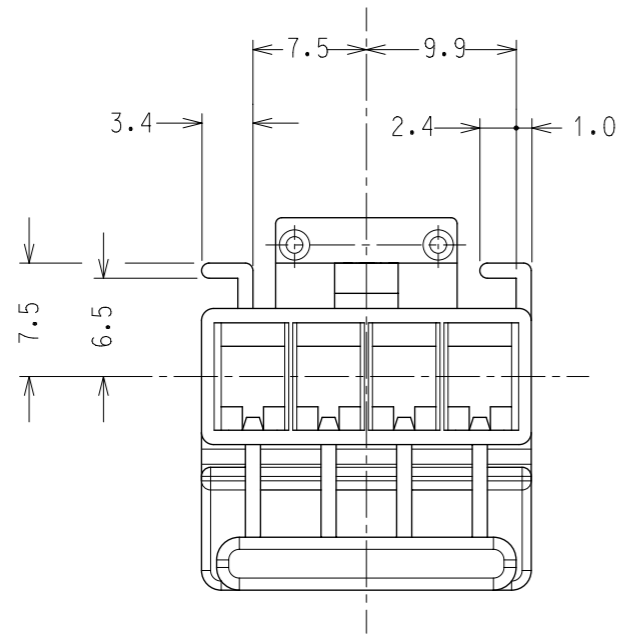
* VERSIONE NON ATTREZZATA
NOT TOOLED



POLARIZZAZIONE TIPO "B"
TYPE "B" POLARIZATION

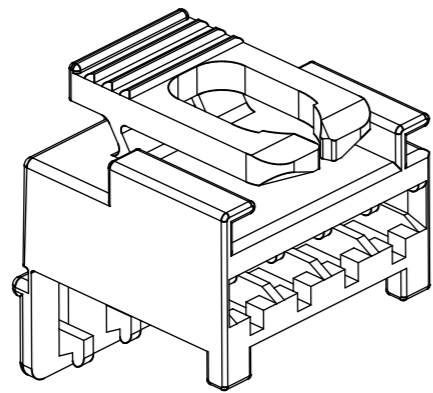
THIS DRAWING CONTAINS INFORMATION THAT IS PROPRIETARY TO MOLEX ELECTRONIC TECHNOLOGIES, LLC AND SHOULD NOT BE USED WITHOUT WRITTEN PERMISSION									
DIMENSION UNITS		SCALE		CURRENT REV DESC:				molex	
mm		2:1							
GENERAL TOLERANCES (UNLESS SPECIFIED)				EC NO: 620398				HOUSING FOR STRAIGHT FORK TERMINAL (WITH STEEL PINS)	
				DRWN: AKUMAR19 2019/01/10					
				CHK'D: GGA 2019/10/18					
				APPR: GGA 2019/10/18				PRODUCT CUSTOMER DRAWING	
4 PLACES ±				INITIAL REVISION:				DOCUMENT NUMBER	
3 PLACES ±				DRWN: SBARBIER 1991/01/23				SD-94509-003	
2 PLACES ± 0.1				APPR: MPREVIAT 1991/01/24				DOC TYPE DOC PART REVISION	
1 PLACE ± 0.2								PSD 001 C	
0 PLACES ±									
ANGULAR TOL ± 2.0°				DRAFT WHERE APPLICABLE MUST REMAIN WITHIN DIMENSIONS		FIRST ANGLE PROJECTION		MATERIAL NUMBER	
				DRAWING		SERIES		CUSTOMER	
				A3-SIZE		94509		SEE TABLE FIAT	
								SHEET NUMBER	
								3 OF 10	

HOUSINGS A 4 VIE: / 4 CKT HOUSINGS:

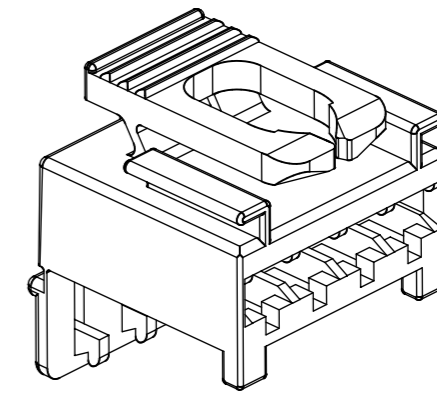


N.° VIE	CODICE HOUSING/TIPO POLARIZZAZIONE	
CKT No.	HOUSING P/N / POLARIZATION	
	A	B
4	94509-5410 *	94509-5420

* VERSIONE NON ATTREZZATA
NOT TOOLED



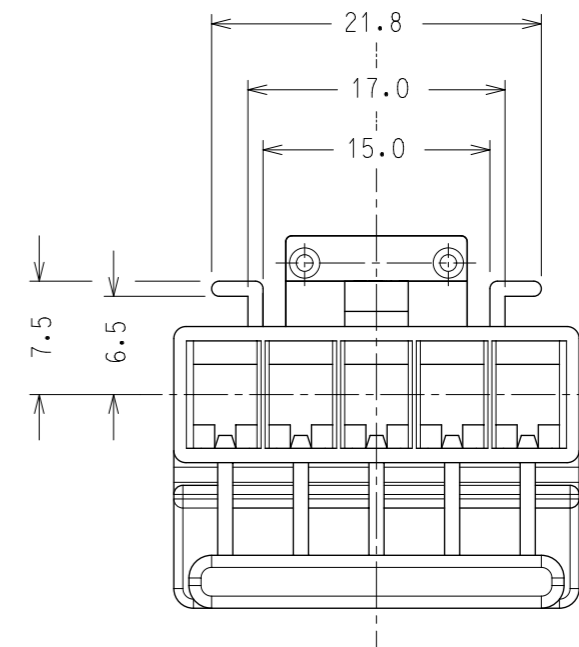
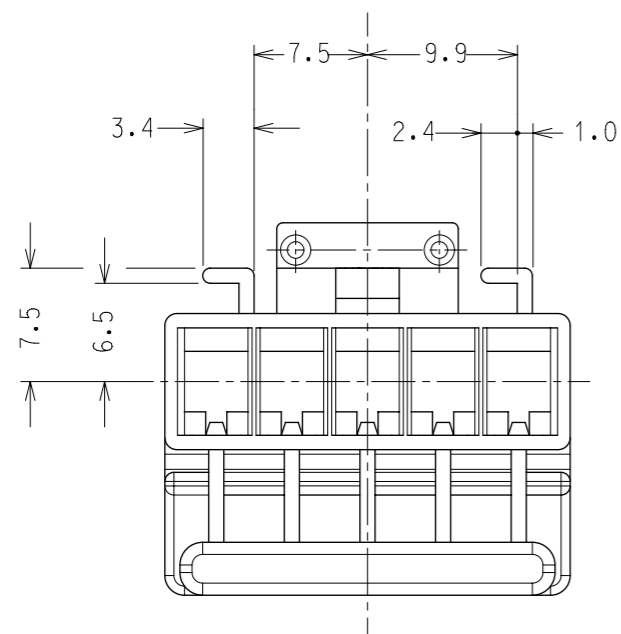
POLARIZZAZIONE TIPO "A"
TYPE "A" POLARIZATION



POLARIZZAZIONE TIPO "B"
TYPE "B" POLARIZATION

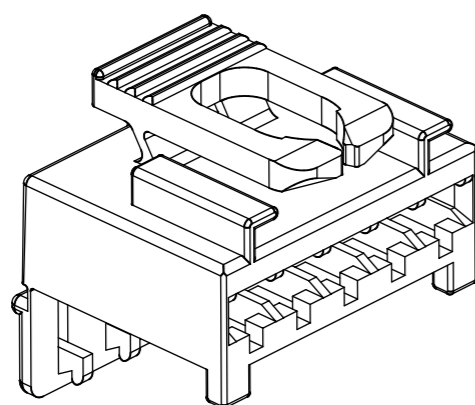
THIS DRAWING CONTAINS INFORMATION THAT IS PROPRIETARY TO MOLEX ELECTRONIC TECHNOLOGIES, LLC AND SHOULD NOT BE USED WITHOUT WRITTEN PERMISSION										
DIMENSION UNITS		SCALE		CURRENT REV DESC:				molex		
mm		2:1								
GENERAL TOLERANCES (UNLESS SPECIFIED)				EC NO: 620398				HOUSING FOR STRAIGHT FORK TERMINAL (WITH STEEL PINS)		
		MM	INCH	DRWN: AKUMAR19 2019/01/10						
4 PLACES		±	±	CHK'D: GGA 2019/10/18				PRODUCT CUSTOMER DRAWING		
3 PLACES		±	±	APPR: GGA 2019/10/18						
2 PLACES		±	0.1	INITIAL REVISION:				DOCUMENT NUMBER		
1 PLACE		±	0.2	DRWN: SBARBIER 1991/01/23						
0 PLACES		±	±	APPR: MPREVIAT 1991/01/24				SD-94509-003		
ANGULAR TOL		± 2.0°		FIRST ANGLE PROJECTION				DOC TYPE	DOC PART	REVISION
DRAFT WHERE APPLICABLE MUST REMAIN WITHIN DIMENSIONS		FIRST ANGLE PROJECTION		DRAWING	SERIES	MATERIAL NUMBER	CUSTOMER	SHEET NUMBER		
		FIRST ANGLE PROJECTION		A3-SIZE	94509	SEE TABLE	FIAT	4 OF 10		

HOUSINGS A 5 VIE: / 5 CKT HOUSINGS:

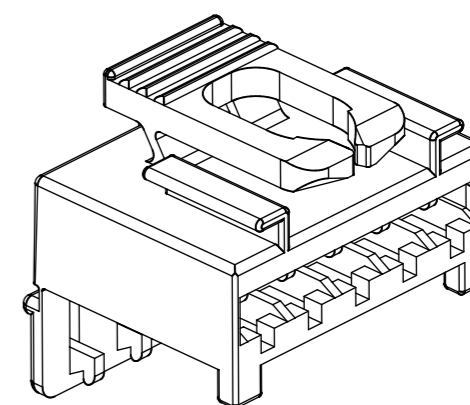


N.° VIE	CODICE HOUSING/TIPO POLARIZZAZIONE <i>HOUSING P/N / POLARIZATION</i>	
CKT No.	A	B
5	94509-5510 *	94509-5520

* VERSIONE NON ATTREZZATA
NOT TOOLED



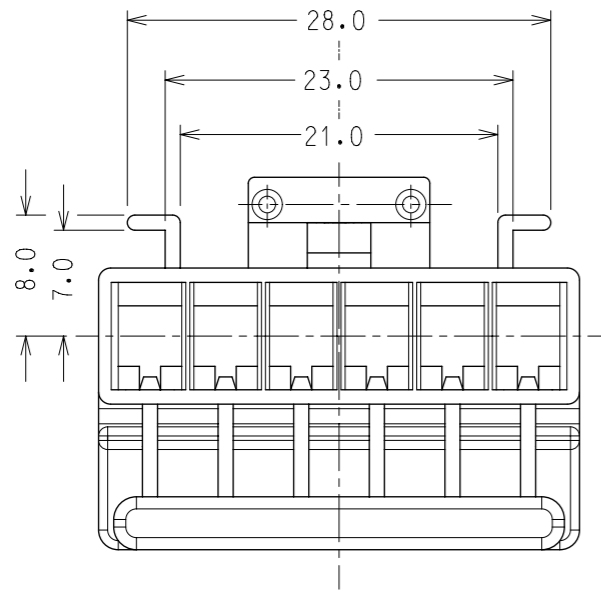
POLARIZZAZIONE TIPO "A"
TYPE "A" POLARIZATION



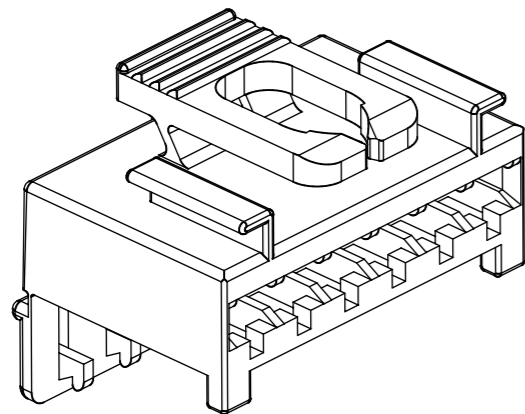
POLARIZZAZIONE TIPO "B"
TYPE "B" POLARIZATION

THIS DRAWING CONTAINS INFORMATION THAT IS PROPRIETARY TO MOLEX ELECTRONIC TECHNOLOGIES, LLC AND SHOULD NOT BE USED WITHOUT WRITTEN PERMISSION									
DIMENSION UNITS		SCALE		CURRENT REV DESC:				molex	
mm		2:1							
GENERAL TOLERANCES (UNLESS SPECIFIED)				EC NO: 620398				HOUSING FOR STRAIGHT FORK TERMINAL (WITH STEEL PINS)	
				DRWN: AKUMAR19 2019/01/10					
4 PLACES ±				CHK'D: GGA 2019/10/18				PRODUCT CUSTOMER DRAWING	
3 PLACES ±				APPR: GGA 2019/10/18					
2 PLACES ± 0.1				INITIAL REVISION:				DOCUMENT NUMBER	
1 PLACE ± 0.2				DRWN: SBARBIER 1991/01/23				SD-94509-003	
0 PLACES ±				APPR: MPREVIAT 1991/01/24				DOC TYPE DOC PART REVISION	
ANGULAR TOL ± 2.0°				DRAFT WHERE APPLICABLE MUST REMAIN WITHIN DIMENSIONS				PSD 001 C	
FIRST ANGLE PROJECTION				DRAWING		SERIES		MATERIAL NUMBER	
A3-SIZE				94509		SEE TABLE		CUSTOMER	
FIAT				SHEET NUMBER		5 OF 10			

HOUSINGS A 6 VIE: / 6 CKT HOUSINGS:



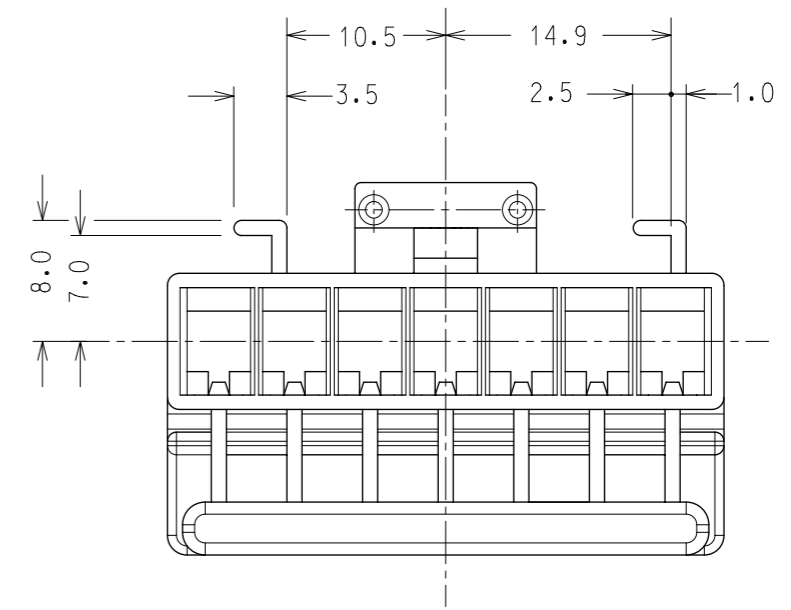
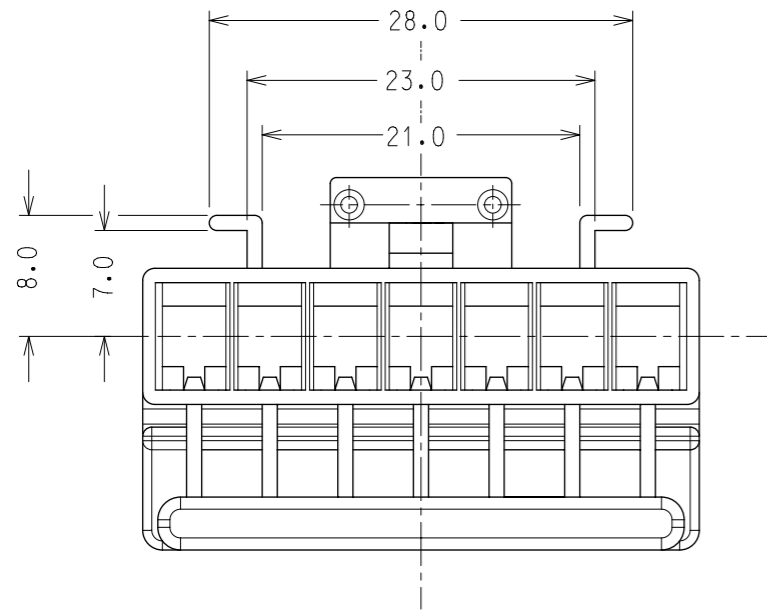
N.° VIE	CODICE HOUSING/TIPO POLARIZZAZIONE <i>HOUSING P/N / POLARIZATION</i>
CKT No.	A
6	94509-5610



POLARIZZAZIONE TIPO "A"
TYPE "A" POLARIZATION

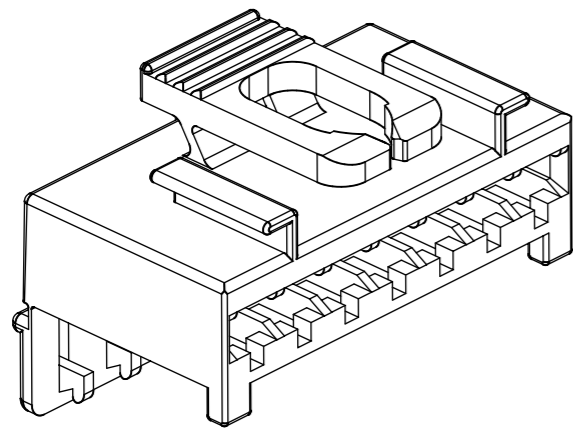
THIS DRAWING CONTAINS INFORMATION THAT IS PROPRIETARY TO MOLEX ELECTRONIC TECHNOLOGIES, LLC AND SHOULD NOT BE USED WITHOUT WRITTEN PERMISSION									
DIMENSION UNITS		SCALE		CURRENT REV DESC:				molex	
mm		2:1							
GENERAL TOLERANCES (UNLESS SPECIFIED)				EC NO: 620398				HOUSING FOR STRAIGHT FORK TERMINAL (WITH STEEL PINS)	
				DRWN: AKUMAR19 2019/01/10					
				CHK'D: GGA 2019/10/18				PRODUCT CUSTOMER DRAWING	
				APPR: GGA 2019/10/18					
				INITIAL REVISION:				DOCUMENT NUMBER	
4 PLACES ±				DRWN: SBARBIER 1991/01/23				SD-94509-003	
3 PLACES ±				APPR: MPREVIAT 1991/01/24				DOC TYPE	
2 PLACES ± 0.1								PSD	
1 PLACE ± 0.2								DOC PART	
0 PLACES ±								001	
ANGULAR TOL ± 2.0°								REVISION	
								C	
DRAFT WHERE APPLICABLE MUST REMAIN WITHIN DIMENSIONS		FIRST ANGLE PROJECTION		DRAWING		SERIES		MATERIAL NUMBER	
		A3-SIZE		94509		CUSTOMER		SEE TABLE	
		FIAT				SHEET NUMBER		6 OF 10	

HOUSINGS A 7 VIE: / 7 CKT HOUSINGS:

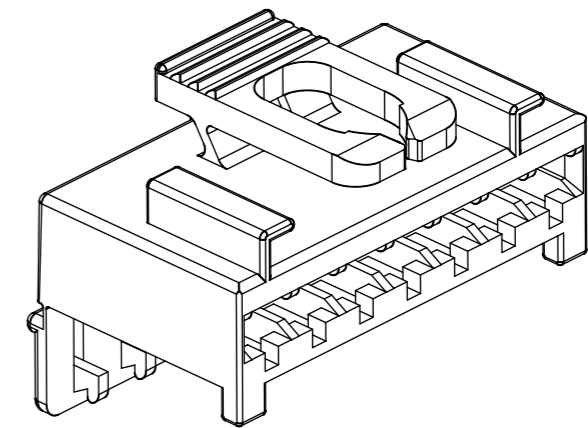


N.° VIE	CODICE HOUSING/TIPO POLARIZZAZIONE	
CKT No.	HOUSING P/N / POLARIZATION	
	A	B
7	94509-5710 *	94509-5720 *

* VERSIONE NON ATTREZZATA
* NOT TOOLED



POLARIZZAZIONE TIPO "A"
TYPE "A" POLARIZATION



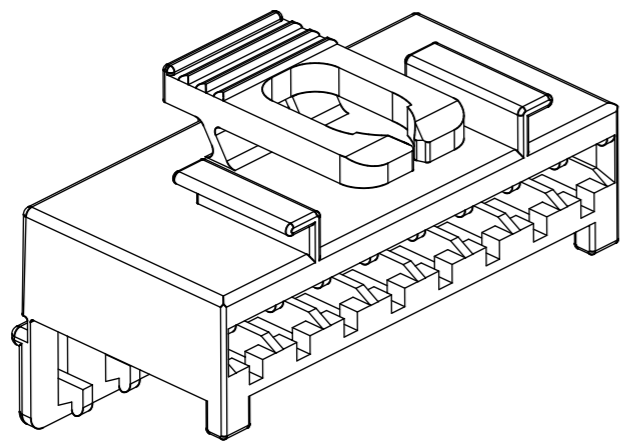
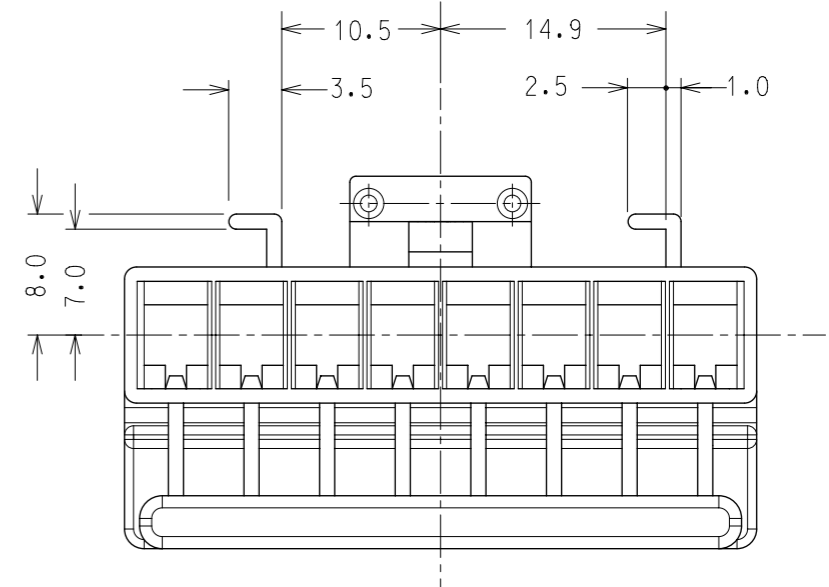
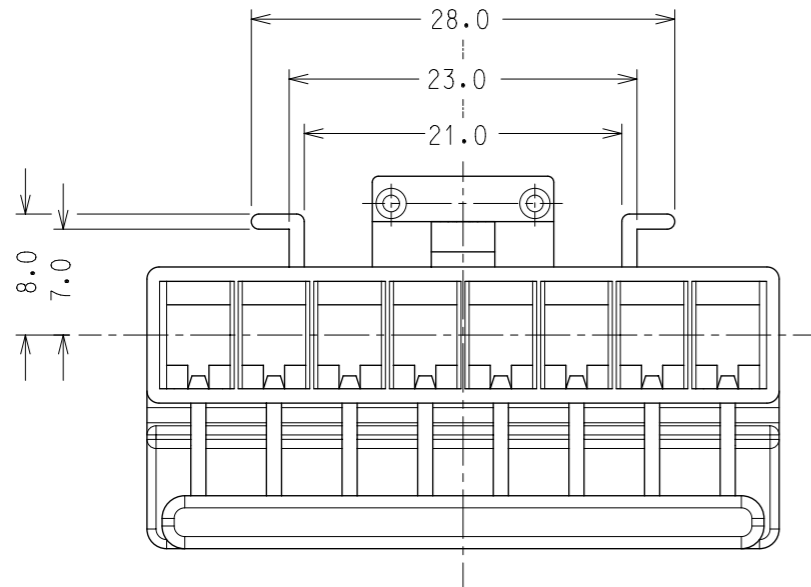
POLARIZZAZIONE TIPO "B"
TYPE "B" POLARIZATION

THIS DRAWING CONTAINS INFORMATION THAT IS PROPRIETARY TO MOLEX ELECTRONIC TECHNOLOGIES, LLC AND SHOULD NOT BE USED WITHOUT WRITTEN PERMISSION									
DIMENSION UNITS		SCALE		CURRENT REV DESC:				molex	
mm		2:1							
GENERAL TOLERANCES (UNLESS SPECIFIED)				EC NO: 620398				HOUSING FOR STRAIGHT FORK TERMINAL (WITH STEEL PINS)	
				DRWN: AKUMAR19 2019/01/10					
				CHK'D: GGA 2019/10/18				PRODUCT CUSTOMER DRAWING	
				APPR: GGA 2019/10/18					
				INITIAL REVISION:				DOCUMENT NUMBER	
4 PLACES ±				DRWN: SBARBIER 1991/01/23				SD-94509-003	
3 PLACES ±				APPR: MPREVIAT 1991/01/24				DOC TYPE DOC PART REVISION	
2 PLACES ± 0.1 ±								PSD 001 C	
1 PLACE ± 0.2 ±									
0 PLACES ±									
ANGULAR TOL ± 2.0°									
DRAFT WHERE APPLICABLE MUST REMAIN WITHIN DIMENSIONS		FIRST ANGLE PROJECTION		DRAWING		SERIES		MATERIAL NUMBER	
		A3-SIZE		94509		SEE TABLE		CUSTOMER	
		FIAT		7 OF 10					

HOUSINGS A 8 VIE: / 8 CKT HOUSINGS:

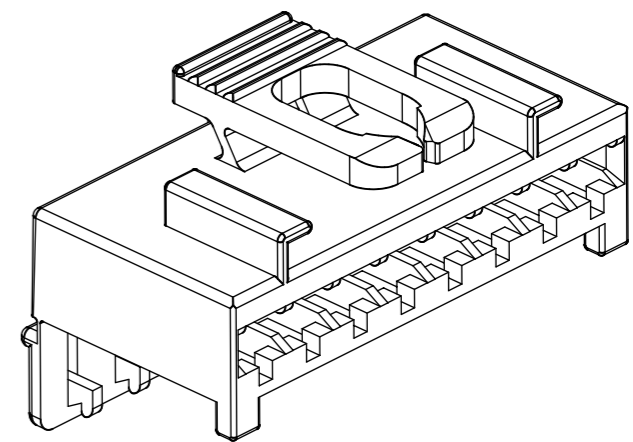
(VEDERE ANCHE FOGLIO SEGUENTE)

(SEE ALSO THE FOLLOWING SHEET)



POLARIZZAZIONE TIPO "A"
TYPE "A" POLARIZATION

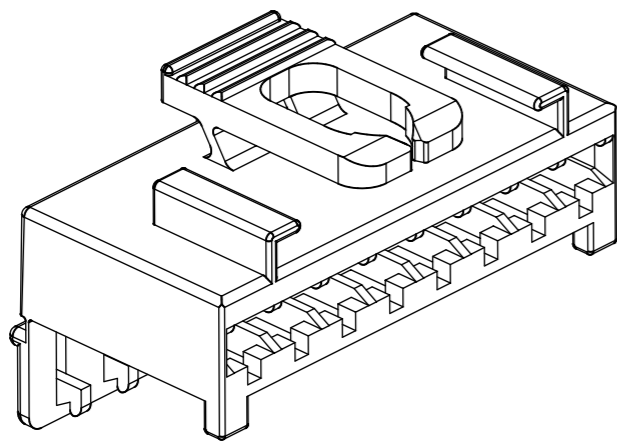
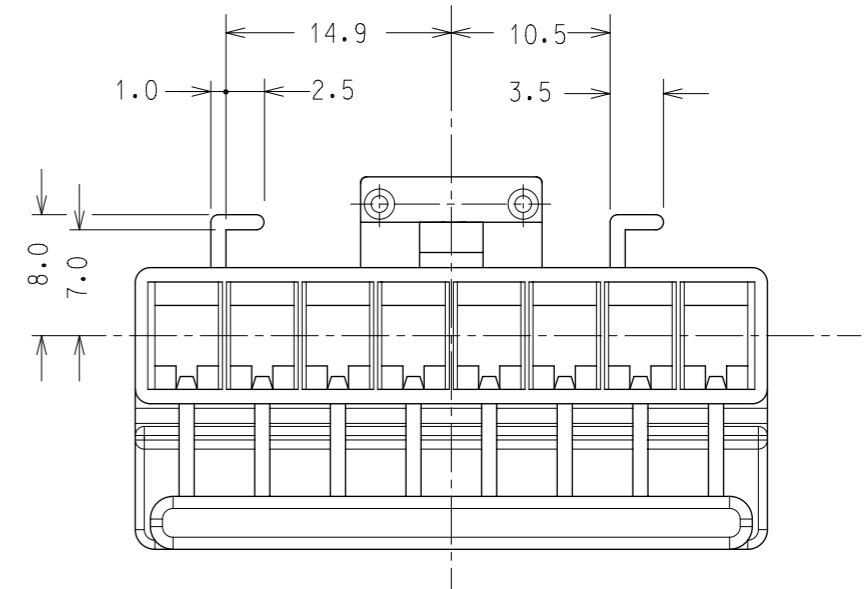
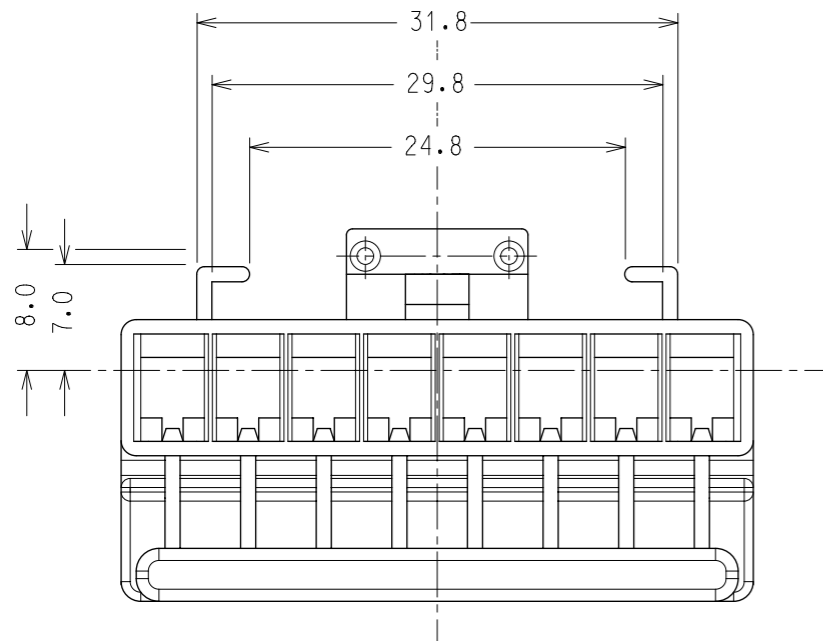
N.° VIE	CODICE HOUSING/TIPO POLARIZZAZIONE HOUSING P/N / POLARIZATION	
CKT No.	A	B
8	94509-5810	94509-5820



POLARIZZAZIONE TIPO "B"
TYPE "B" POLARIZATION

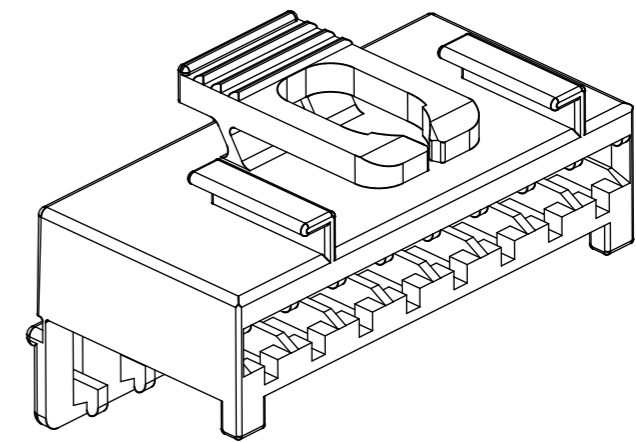
THIS DRAWING CONTAINS INFORMATION THAT IS PROPRIETARY TO MOLEX ELECTRONIC TECHNOLOGIES, LLC AND SHOULD NOT BE USED WITHOUT WRITTEN PERMISSION									
DIMENSION UNITS mm		SCALE 2:1		CURRENT REV DESC:				molex	
GENERAL TOLERANCES (UNLESS SPECIFIED)				EC NO: 620398					
		MM	INCH	DRWN: AKUMAR19		2019/01/10		HOUSING FOR STRAIGHT FORK TERMINAL (WITH STEEL PINS)	
4 PLACES		±	±	CHK'D: GGA		2019/10/18		PRODUCT CUSTOMER DRAWING	
3 PLACES		±	±	APPR: GGA		2019/10/18		DOCUMENT NUMBER	
2 PLACES		± 0.1	±	INITIAL REVISION:		1991/01/23		SD-94509-003	
1 PLACE		± 0.2	±	DRWN: SBARBIER		1991/01/24		DOC TYPE	
0 PLACES		±	±	APPR: MPREVIAT		1991/01/24		DOC PART	
ANGULAR TOL		± 2.0°		SERIES		94509		REVISION	
DRAFT WHERE APPLICABLE MUST REMAIN WITHIN DIMENSIONS		FIRST ANGLE PROJECTION		DRAWING		MATERIAL NUMBER		CUSTOMER	
		A3-SIZE		SEE TABLE		FIAT		SHEET NUMBER	
		8 OF 10							

HOUSINGS A 8 VIE: / 8 CKT HOUSINGS:
 (VEDERE ANCHE FOGLIO PRECEDENTE)
 (SEE ALSO THE PREVIOUS SHEET)



POLARIZZAZIONE TIPO "C"
 TYPE "C" POLARIZATION

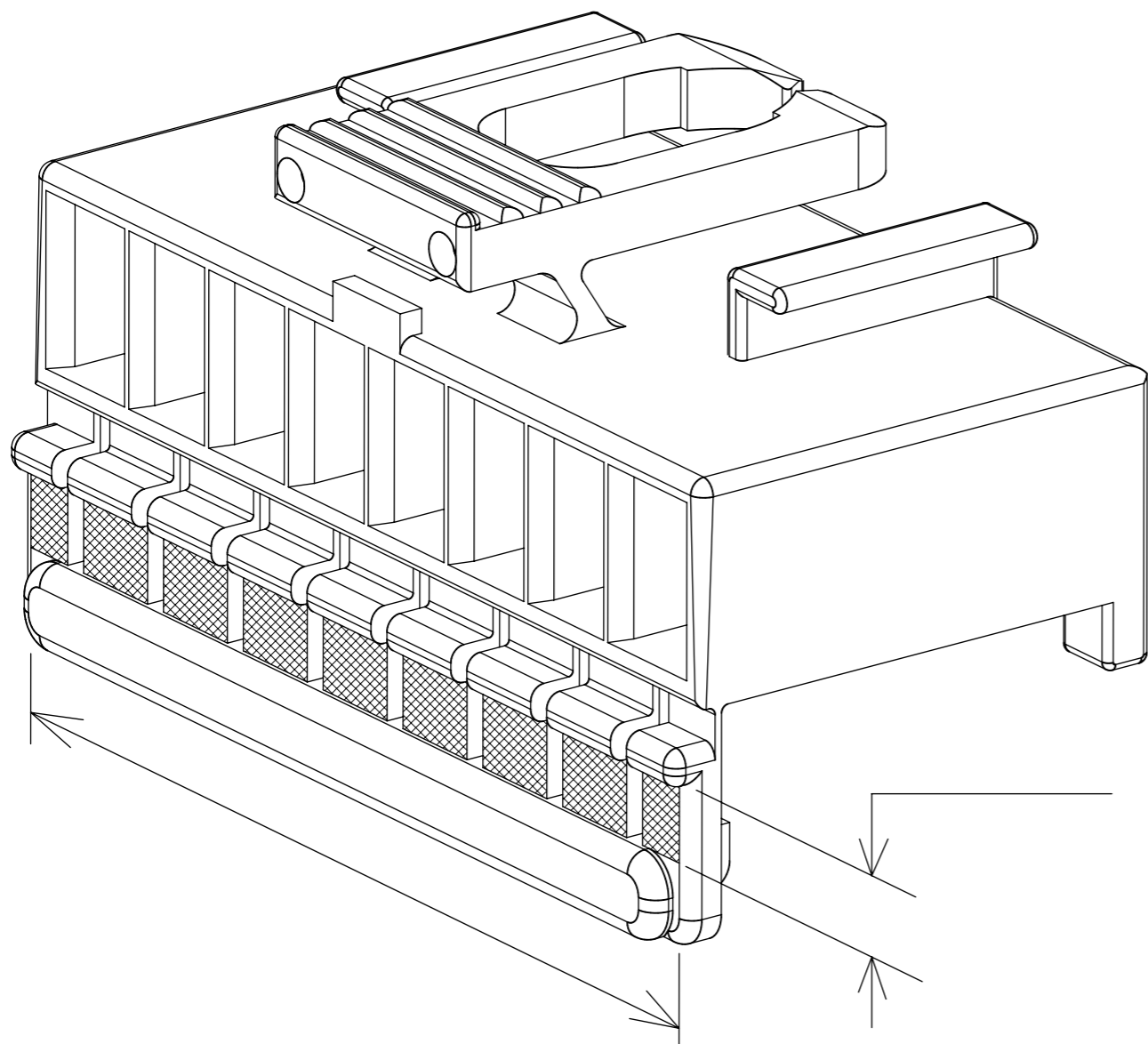
N.° VIE	CODICE HOUSING/TIPO POLARIZZAZIONE HOUSING P/N / POLARIZATION	
CKT No.	C	D
8	94509-5830	94509-5840



POLARIZZAZIONE TIPO "D"
 TYPE "D" POLARIZATION

THIS DRAWING CONTAINS INFORMATION THAT IS PROPRIETARY TO MOLEX ELECTRONIC TECHNOLOGIES, LLC AND SHOULD NOT BE USED WITHOUT WRITTEN PERMISSION									
DIMENSION UNITS mm		SCALE 2:1		CURRENT REV DESC:				molex	
GENERAL TOLERANCES (UNLESS SPECIFIED)				EC NO: 620398					
		MM	INCH	DRWN: AKUMAR19		2019/01/10		HOUSING FOR STRAIGHT FORK TERMINAL (WITH STEEL PINS)	
4 PLACES		±	±	CHK'D: GGA		2019/10/18		PRODUCT CUSTOMER DRAWING	
3 PLACES		±	±	APPR: GGA		2019/10/18		DOCUMENT NUMBER	
2 PLACES		± 0.1	±	INITIAL REVISION:		1991/01/23		SD-94509-003	
1 PLACE		± 0.2	±	DRWN: SBARBIER		1991/01/24		DOC TYPE	
0 PLACES		±	±	APPR: MPREVIAT		1991/01/24		DOC PART	
ANGULAR TOL		± 2.0°		DRAFT WHERE APPLICABLE MUST REMAIN WITHIN DIMENSIONS		FIRST ANGLE PROJECTION		REVISION	
DRAWING		SERIES		MATERIAL NUMBER		CUSTOMER		SHEET NUMBER	
A3-SIZE		94509		SEE TABLE		FIAT		9 OF 10	

MARCATURE CON BANDA COLORATA
COLOR MARKING



ZONA COLORATA
MARKED AREA

CONFEZIONE - PACKAGING

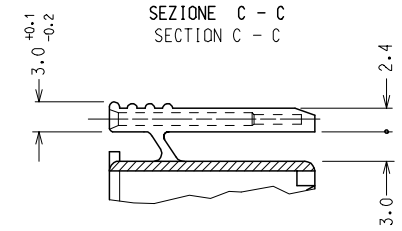
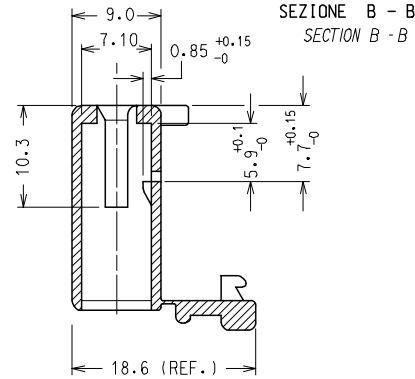
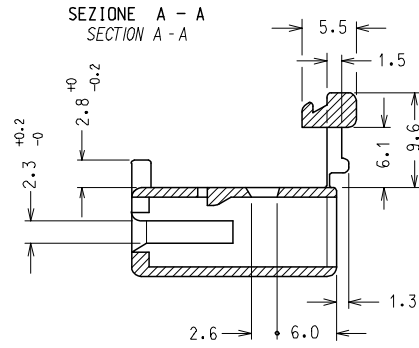
I PEZZI SONO CONFEZIONATI IN SACCHETTI DI PLASTICA POSTI IN SCATOLE DI CARTONE
PARTS ARE PACKED IN PLASTIC BAGS PUT IN CARTON BOXES

CKT No.	HOUSING P/N - POLARIZATION				STD PACK. QUANTITY
	A	B	C	D	
2	94509-5210	94509-5220			7500
3	94509-5310	94509-5320			5500
4	94509-5410	94509-5420			3000
5	94509-5510	94509-5520			3300
6	94509-5610				2800
7	94509-5710	94509-5720			1500
8	94509-5810	94509-5820	94509-5830	94509-5840	2000

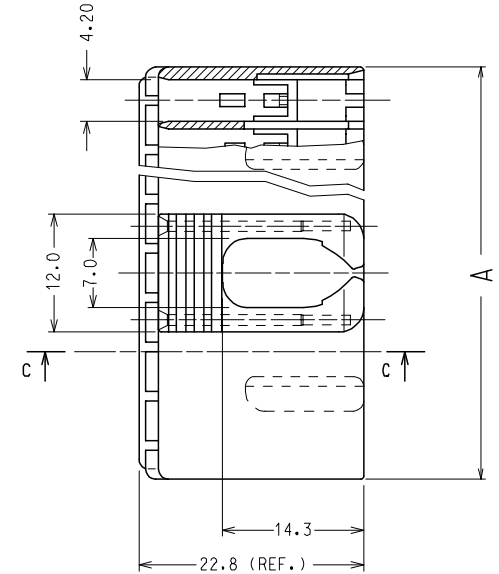
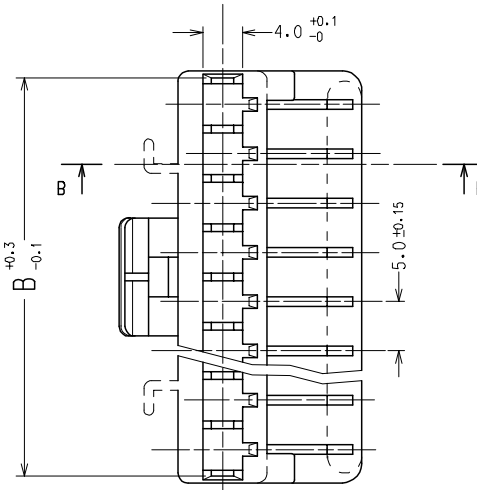
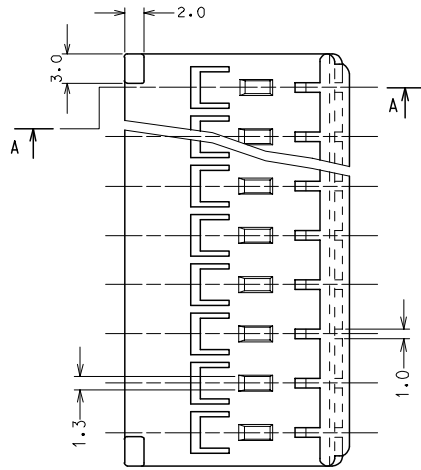
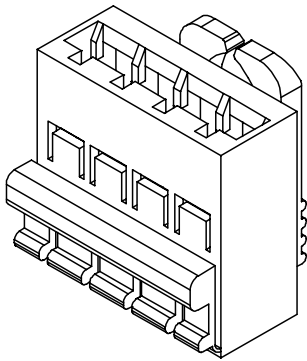
CKT No.	HOUSING P/N	POLARIZATION	COLOR
6	94509-5610	A	—————
8	94509-5810	A	—————
	94509-5820	B	ROSSO/ RED
	94509-5830	C	BLU/ BLUE
	94509-5840	D	NERO/ BLACK

THIS DRAWING CONTAINS INFORMATION THAT IS PROPRIETARY TO MOLEX ELECTRONIC TECHNOLOGIES, LLC AND SHOULD NOT BE USED WITHOUT WRITTEN PERMISSION									
DIMENSION UNITS mm		SCALE 2:1		CURRENT REV DESC:				molex	
GENERAL TOLERANCES (UNLESS SPECIFIED)				EC NO: 620398 DRWN: AKUMAR19 2019/01/10 CHK'D: GGA 2019/10/18 APPR: GGA 2019/10/18					
4 PLACES ±		±		INITIAL REVISION:				DOCUMENT NUMBER	
3 PLACES ±		±		DRWN: SBARBIER 1991/01/23				SD-94509-003	
2 PLACES ± 0.1		±		APPR: MPREVIAT 1991/01/24				DOC TYPE DOC PART REVISION	
1 PLACE ± 0.2		±		FIRST ANGLE PROJECTION				PSD 001 C	
0 PLACES ±		±		DRAWING		SERIES		MATERIAL NUMBER	
ANGULAR TOL ± 2.0°		± 2.0°		A3-SIZE		94509		SEE TABLE	
DRAFT WHERE APPLICABLE MUST REMAIN WITHIN DIMENSIONS				FIRST ANGLE PROJECTION		DRAWING		CUSTOMER	
				A3-SIZE		94509		FIAT	
								SHEET NUMBER	
								10 OF 10	

10 9 8 7 6 5 4 3 2 1



VISTA DELL'HOUSING
CON SECONDARY LOCK CHIUSO
VIEW OF THE HOUSING WITH
THE SEC. LOCK IN LOCKED POSITION



NOTE:

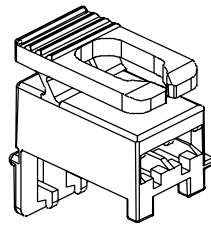
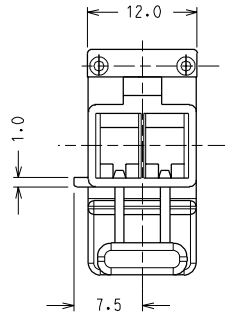
- 1) MATERIALE/ MATERIAL: PA 66 NATURALE/ PA 66 NATURAL COLOR
- 2) PER CODICI, POLARIZZAZIONI, MARCATURE E PACKAGING VEDERE FOGLI SEGUENTI FOR PART NOS, POLARIZATIONS, MARKINGS AND PACKAGING SEE THE FOLLOWING SHEETS
- 3) LE DIMENSIONI VANNO MISURATE CON CORPI STABILIZZATI SECONDO NG 2301 (AUMENTO IN PESO DEL 2.7 %) PARTS SHALL BE DIMENSIONALLY CHECKED AFTER ATTAINING EQUILIBRIUM CONDITIONS E.G. 2.7 % INCREASE IN WEIGHT FOR HUMIDITY ABSORPTION FROM DRY STATUS
- 4) CARATTERISTICHE SECONDO PS 94509 PRODUCT CHARACTERISTICS ACCORDING TO PS 94509 E
- 5) VEDERE FOGLIO 10/10 PER INFORMAZIONI SULLA CONFEZIONE SEE SHEET 10/10 FOR INFORMATION REGARDING THE PACKAGING

N.° VIE CKT.	2	3	4	5	6	7	8
A	11.8	16.8	21.8	26.8	31.8	36.8	41.8
B	10.4	15.4	20.4	25.4	30.4	35.4	40.4

EC NO: Z2005-0030 DRAWN: FGOTTARD 2004/09/23 CHKD: RSANDANO 2004/09/23 APPR: GZUIN 2004/09/23	QUALITY SYMBOLS ▽=0 ▽=0	GENERAL TOLERANCES (UNLESS SPECIFIED)		DIMENSION STYLE MM ONLY		SCALE 2:1	DESIGN UNITS METRIC	FIRST ANGLE PROJECTION			
		4 PLACES ± --- ± --- 3 PLACES ± --- ± --- 2 PLACES ± 0.1 ± --- 1 PLACE ± 0.2 ± --- ANGULAR ± 2 °		DRAWN BY SBARBIER 1995/12/20 CHECKED BY DATE		TITLE HOUSING FOR STRAIGHT FORK TERMINAL (WITHOUT STEEL PINS)		MOLEX INCORPORATED			
		DRAFT WHERE APPLICABLE MUST REMAIN WITHIN DIMENSIONS		APPROVED BY MPREVIAT 1995/12/20		SEE CHART		DOCUMENT NO. SD-94509-009		SHEET NO. 1 OF 10	
		SIZE A3		THIS DRAWING CONTAINS INFORMATION THAT IS PROPRIETARY TO MOLEX INCORPORATED AND SHOULD NOT BE USED WITHOUT WRITTEN PERMISSION							

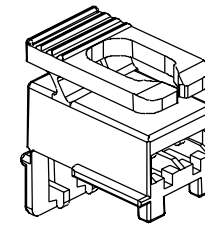
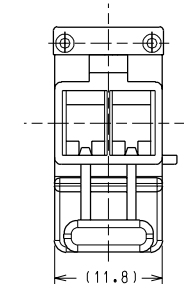
9 8 7 6 5 4 3 2 1

HOUSINGS A 2 VIE: / 2 CKT HOUSINGS:



POLARIZZAZIONE TIPO "A"
TYPE "A" POLARIZATION

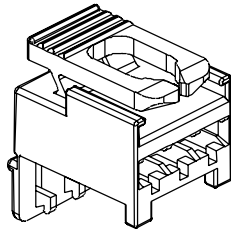
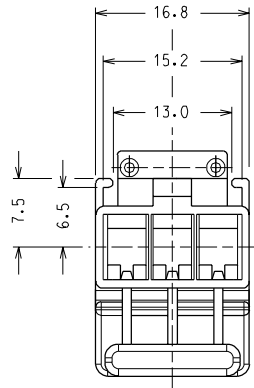
N.° VIE	CODICE HOUSING/TIPO POLARIZZAZIONE HOUSING P/N / POLARIZATION	
CKT No.	A	B
2	94509-5210	94509-5220



POLARIZZAZIONE TIPO "B"
TYPE "B" POLARIZATION

EC NO. Z9-139 DRWNS. BARBIERI 26-03-99 CHK: S. SORATO 29-03-99 APPR: R. MARTUCCI 29-03-99	QUALITY SYMBOLS MAJOR M = SIGNIF. S = CRITICAL C =	GENERAL TOLERANCES: (UNLESS SPECIFIED)		SCALE 2:1	DESIGN UNITS <input checked="" type="checkbox"/> mm <input type="checkbox"/> INCH	DIMENSIONS: <input type="checkbox"/> mm <input type="checkbox"/> INCH <input type="checkbox"/> mm <input checked="" type="checkbox"/> ONLY	SHT	REV
		4 PLACES ±0.1	±0.1	DRAWN BY & DATE S. BARBIERI 20-12-95	FIRST ANGLE PROJECTION <input type="checkbox"/> mm <input type="checkbox"/> INCH			
3 PLACES ±0.2	±0.2	CHECKED BY & DATE	TITLE: HOUSING PER TERM. A FORCELLA DIRITTO (SENZA PINS IN ACCIAIO) HOUSING FOR STRAIGHT FORK TERMINAL (WITHOUT STEEL PINS)					
2 PLACES ±0.1	±0.1	APPROVED BY & DATE M. PREVIATO 20-12-95		MATERIAL NO. SEE TABLES	DRAWING NO. SD-94509-009	SHEET NO. 2/10		
1 PLACE ±0.2	±0.2	CAD FILENAME 94509009.S01						
B1	REV	ANGULAR: ± 2°	DRAFT WHERE APPLICABLE MUST REMAIN WITHIN DIMENSIONS		THIS DRAWING CONTAINS INFORMATION THAT IS PROPRIETARY TO MOLEX INCORPORATED AND SHOULD NOT BE USED WITHOUT WRITTEN PERMISSION.			SIZE A3

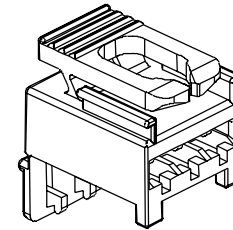
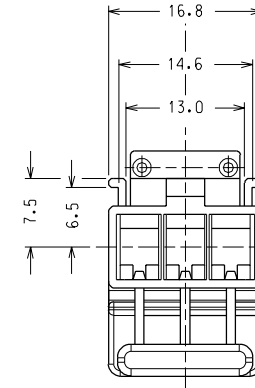
HOUSINGS A 3 VIE: / 3 CKT HOUSINGS:



POLARIZZAZIONE TIPO "A"
TYPE "A" POLARIZATION

N.° VIE	CODICE HOUSING/TIPO POLARIZZAZIONE HOUSING P/N / POLARIZATION	
	A	B
CKT No.	3	3
	94509-9310 *	94509-9320

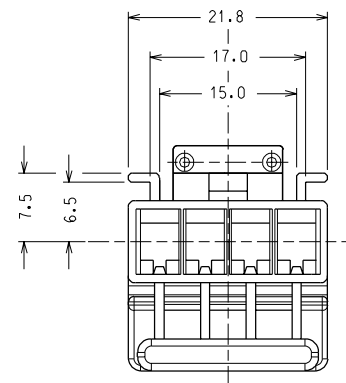
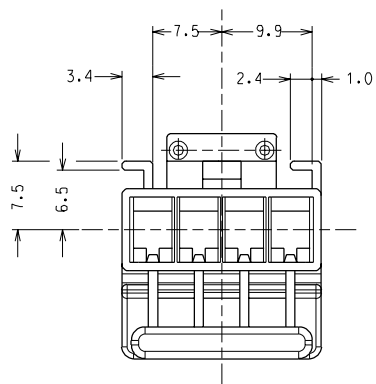
* VERSIONE NON ATTEZZATA
NOT TOOLED



POLARIZZAZIONE TIPO "B"
TYPE "B" POLARIZATION

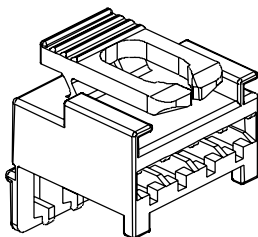
EC NO. Z9-139 DRWNS. BARBIERI 26-03-99 CHK: S. SORATO 29-03-99 APPR: R. MARTUCCI 29-03-99	QUALITY SYMBOLS MAJOR M = SIGNIF. S = CRITICAL C =	GENERAL TOLERANCES: (UNLESS SPECIFIED)		SCALE 2:1	DESIGN UNITS <input checked="" type="checkbox"/> mm <input type="checkbox"/> INCH	DIMENSIONS: <input type="checkbox"/> mm <input type="checkbox"/> INCH <input type="checkbox"/> mm <input checked="" type="checkbox"/> ONLY	SHT	REV
		4 PLACES ±0.1	±0.2	DRAWN BY & DATE S. BARBIERI 20-12-95	TITLE: HOUSING PER TERM. A FORCELLA DIRITTO (SENZA PINS IN ACCIAIO) HOUSING FOR STRAIGHT FORK TERMINAL (WITHOUT STEEL PINS)			
B1	REV	3 PLACES ±0.1	±0.2	CHECKED BY & DATE	APPROVED BY & DATE M. PREVIATO 20-12-95		MATERIAL NO. DRAWING NO. SHEET NO. SEE TABLES SD-94509-009 3/10	
		2 PLACES ±0.1	±0.2	APPROVED BY & DATE M. PREVIATO 20-12-95	CAD FILENAME 94509009.S02		THIS DRAWING CONTAINS INFORMATION THAT IS PROPRIETARY TO MOLEX INCORPORATED AND SHOULD NOT BE USED WITHOUT WRITTEN PERMISSION.	
		1 PLACE ±0.2	±0.2	ANGULAR: ± 2°		DRAFT WHERE APPLICABLE MUST REMAIN WITHIN DIMENSIONS		SIZE A3

HOUSINGS A 4 VIE: / 4 CKT HOUSINGS:

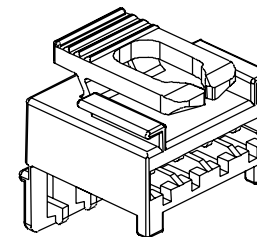


N.° VIE	CODICE HOUSING/TIPO POLARIZZAZIONE	
	HOUSING P/N / POLARIZATION	
CKT No.	A	B
4	94509-9410 *	94509-9420

* VERSIONE NON ATTEZZATA
NOT TOOLED



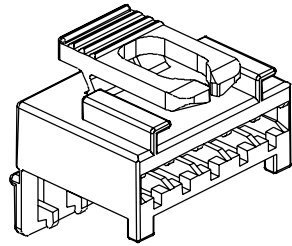
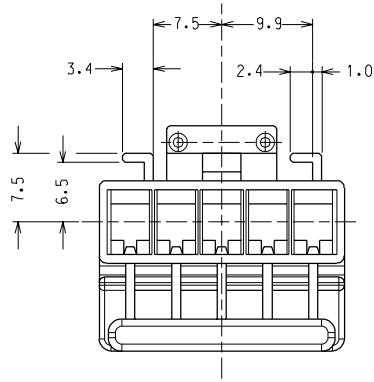
POLARIZZAZIONE TIPO "A"
TYPE "A" POLARIZATION



POLARIZZAZIONE TIPO "B"
TYPE "B" POLARIZATION

EC NO. Z9-139 DRWNS. BARBIERI 26-03-99 CHK: S. SORATO 29-03-99 APPR: R. MARTUCCI 29-03-99	QUALITY SYMBOLS MAJOR M = SIGNIF. S = CRITICAL C =	GENERAL TOLERANCES: (UNLESS SPECIFIED)		SCALE 2:1	DESIGN UNITS <input checked="" type="checkbox"/> mm <input type="checkbox"/> INCH	DIMENSIONS: <input type="checkbox"/> mm <input type="checkbox"/> INCH <input type="checkbox"/> mm <input checked="" type="checkbox"/> INCH ONLY	SHT	REV
		4 PLACES ±0.1	±0.2	DRAWN BY & DATE S. BARBIERI 20-12-95	TITLE: HOUSING PER TERM. A FORCELLA DIRITTO (SENZA PINS IN ACCIAIO) HOUSING FOR STRAIGHT FORK TERMINAL (WITHOUT STEEL PINS)			
B1	REV	3 PLACES ±0.1	±0.2	CHECKED BY & DATE	APPROVED BY & DATE M. PREVIATO 20-12-95		MATERIAL NO. DRAWING NO. SHEET NO. SEE TABLES SD-94509-009 4/10	
		2 PLACES ±0.1	±0.2	APPROVED BY & DATE	CAD FILENAME		THIS DRAWING CONTAINS INFORMATION THAT IS PROPRIETARY TO MOLEX INCORPORATED AND SHOULD NOT BE USED WITHOUT WRITTEN PERMISSION.	
		1 PLACE ±0.2	±0.2	ANGULAR: ± 2°	DRAFT WHERE APPLICABLE MUST REMAIN WITHIN DIMENSIONS		SIZE A3	

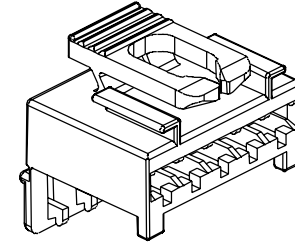
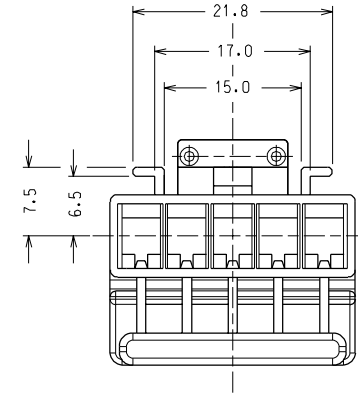
HOUSINGS A 5 VIE: / 5 CKT HOUSINGS:



POLARIZZAZIONE TIPO "A"
TYPE "A" POLARIZATION

N.° VIE	CODICE HOUSING/TIPO POLARIZZAZIONE	
CKT No.	HOUSING P/N / POLARIZATION	
	A	B
5	94509-9510 *	94509-9520

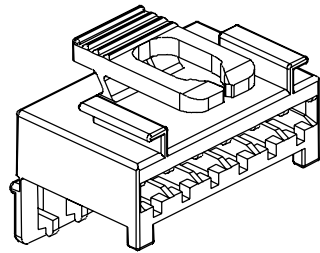
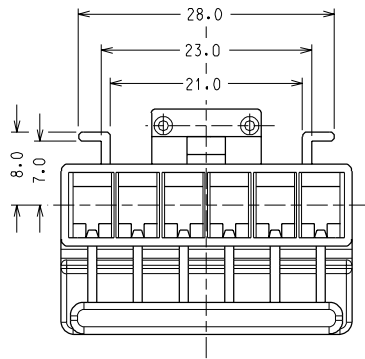
* VERSIONE NON ATTREZZATA
NOT TOOLED



POLARIZZAZIONE TIPO "B"
TYPE "B" POLARIZATION

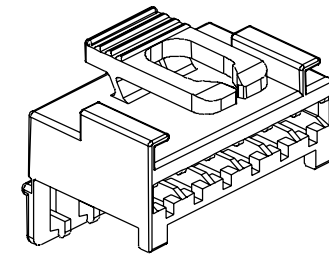
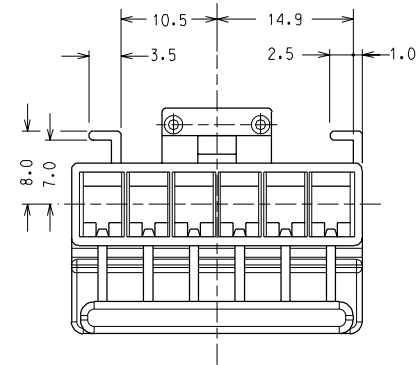
EC NO. Z9-139 DRWNS. BARBIERI 26-03-99 CHK: S. SORATO 29-03-99 APPR: R. MARTUCCI 29-03-99	QUALITY SYMBOLS MAJOR M = SIGNIF. S = CRITICAL C =	GENERAL TOLERANCES: (UNLESS SPECIFIED)		SCALE 2:1	DESIGN UNITS <input checked="" type="checkbox"/> mm <input type="checkbox"/> INCH	DIMENSIONS: <input type="checkbox"/> mm <input type="checkbox"/> INCH <input type="checkbox"/> mm <input checked="" type="checkbox"/> ONLY	SHT	REV
		4 PLACES ±0.	±	DRAWN BY & DATE S. BARBIERI 23-01-91	TITLE: HOUSING PER TERM. A FORCELLA DIRITTO (SENZA PINS IN ACCIAIO) HOUSING FOR STRAIGHT FORK TERMINAL (WITHOUT STEEL PINS)			
B1	REV	3 PLACES ±0.	±	CHECKED BY & DATE	APPROVED BY & DATE M. PREVIATO 24-01-91			
		2 PLACES ±0.1	±	CAD FILENAME 94509009.S04	MATERIAL NO. DRAWING NO. SHEET NO. SEE TABLES SD-94509-009 5/10			
DRAFT WHERE APPLICABLE MUST REMAIN WITHIN DIMENSIONS		1 PLACE ±0.2	±	THIS DRAWING CONTAINS INFORMATION THAT IS PROPRIETARY TO MOLEX INCORPORATED AND SHOULD NOT BE USED WITHOUT WRITTEN PERMISSION.				SIZE A3
ANGULAR: ± 2°								

HOUSINGS A 6 VIE: / 6 CKT HOUSINGS:



POLARIZZAZIONE TIPO "A"
TYPE "A" POLARIZATION

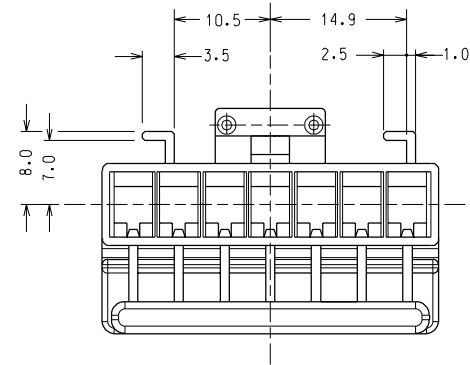
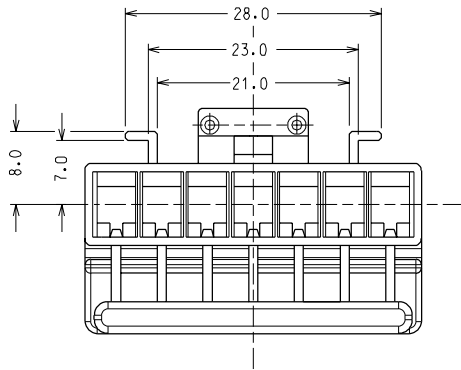
N.° VIE	CODICE HOUSING/TIPO POLARIZZAZIONE HOUSING P/N / POLARIZATION	
CKT No.	A	B
6	94509-9610	94509-9620



POLARIZZAZIONE TIPO "B"
TYPE "B" POLARIZATION

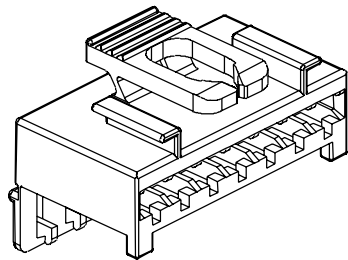
EC NO. Z9-139 DRWNS. BARBIERI 26-03-99 CHK: S. SORATO 29-03-99 APPR: R. MARTUCCI 29-03-99	QUALITY SYMBOLS MAJOR M = SIGNIF. S = CRITICAL C =	GENERAL TOLERANCES: (UNLESS SPECIFIED)		SCALE 2:1	DESIGN UNITS <input checked="" type="checkbox"/> mm <input type="checkbox"/> INCH	DIMENSIONS: <input type="checkbox"/> mm <input type="checkbox"/> INCH <input checked="" type="checkbox"/> mm ONLY	SHT	REV	
		4 PLACES ±0.1	±0.1	DRAWN BY & DATE S. BARBIERI 20-12-95	TITLE: HOUSING PER TERM. A FORCELLA DIRITTO (SENZA PINS IN ACCIAIO) HOUSING FOR STRAIGHT FORK TERMINAL (WITHOUT STEEL PINS)				
B1	REV	3 PLACES ±0.2	±0.2	CHECKED BY & DATE	APPROVED BY & DATE M. PREVIATO 20-12-95				
		2 PLACES ±0.1	±0.1	MATERIAL NO. DRAWING NO. SHEET NO. SEE TABLES SD-94509-009 6/10		MATERIAL NO. DRAWING NO. SHEET NO. SD-94509-009 6/10			
		1 PLACE ±0.2	±0.2	CAD FILENAME 94509009.S05	THIS DRAWING CONTAINS INFORMATION THAT IS PROPRIETARY TO MOLEX INCORPORATED AND SHOULD NOT BE USED WITHOUT WRITTEN PERMISSION.				
		ANGULAR: ± 2°		DRAFT WHERE APPLICABLE MUST REMAIN WITHIN DIMENSIONS				SIZE A3	

HOUSINGS A 7 VIE: / 7 CKT HOUSINGS:

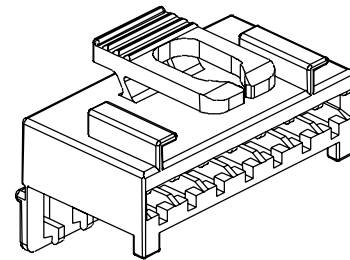


N.° VIE	CODICE HOUSING/TIPO POLARIZZAZIONE HOUSING P/N / POLARIZATION	
CKT No.	A	B
7	94509-9710 *	94509-9720 *

* VERSIONE NON ATTREZZATA
NOT TOOLED



POLARIZZAZIONE TIPO "A"
TYPE "A" POLARIZATION



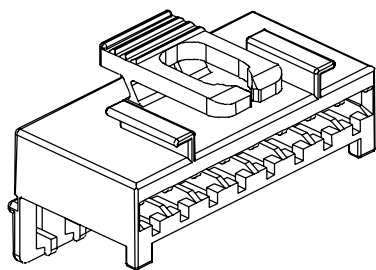
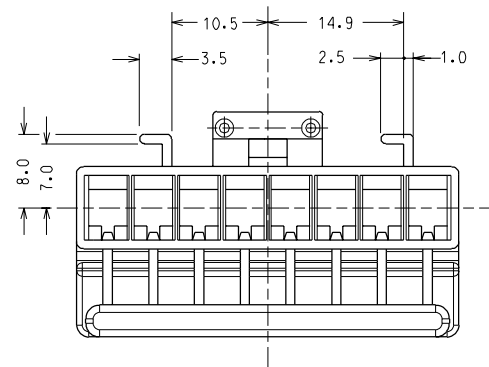
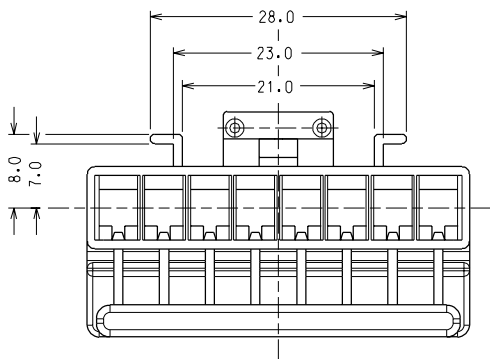
POLARIZZAZIONE TIPO "B"
TYPE "B" POLARIZATION

EC NO. Z9-139 DRWNS. BARBIERI 26-03-99 CHK: S. SORATO 29-03-99 APPR: R. MARTUCCI 29-03-99	QUALITY SYMBOLS MAJOR M = SIGNIF. S = CRITICAL C =	GENERAL TOLERANCES: (UNLESS SPECIFIED)		SCALE 2:1	DESIGN UNITS <input checked="" type="checkbox"/> mm <input type="checkbox"/> INCH	DIMENSIONS: <input type="checkbox"/> mm <input type="checkbox"/> INCH <input checked="" type="checkbox"/> mm ONLY	SHT	REV
		4 PLACES ±0.1	±0.2	DRAWN BY & DATE S. BARBIERI 20-12-95	FIRST ANGLE PROJECTION	TITLE: HOUSING PER TERM. A FORCELLA DIRITTO (SENZA PINS IN ACCIAIO) HOUSING FOR STRAIGHT FORK TERMINAL (WITHOUT STEEL PINS)	REVISION ON CAD ONLY	
B1	REV	3 PLACES ±0.2	±0.1	CHECKED BY & DATE	APPROVED BY & DATE M. PREVIATO 20-12-95	MATERIAL NO. SEE TABLES	DRAWING NO. SD-94509-009	SHEET NO. 7/10
		2 PLACES ±0.1	±0.2	ANGULAR: ± 2°	CAD FILENAME 94509009.S06			
		1 PLACE ±0.2	±0.1	DRAFT WHERE APPLICABLE MUST REMAIN WITHIN DIMENSIONS		THIS DRAWING CONTAINS INFORMATION THAT IS PROPRIETARY TO MOLEX INCORPORATED AND SHOULD NOT BE USED WITHOUT WRITTEN PERMISSION.		

HOUSINGS A 8 VIE: / 8 CKT HOUSINGS:

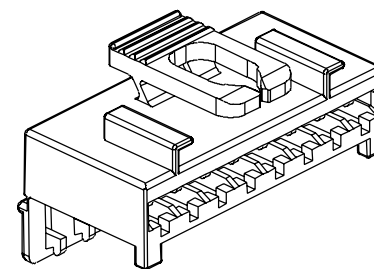
(VEDERE ANCHE FOGLIO SEGUENTE)

(SEE ALSO THE FOLLOWING SHEET)



POLARIZZAZIONE TIPO "A"
TYPE "A" POLARIZATION

N.° VIE	CODICE HOUSING/TIPO POLARIZZAZIONE	
CKT No.	HOUSING P/N / POLARIZATION	
	A	B
8	94509-9810	94509-9820



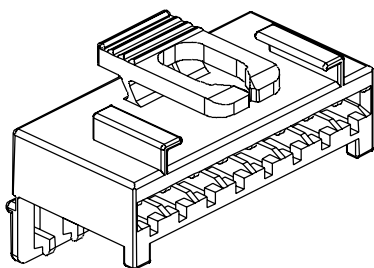
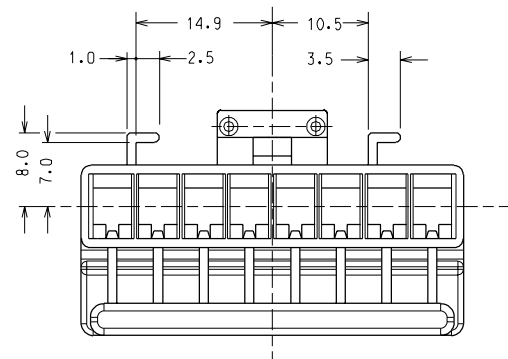
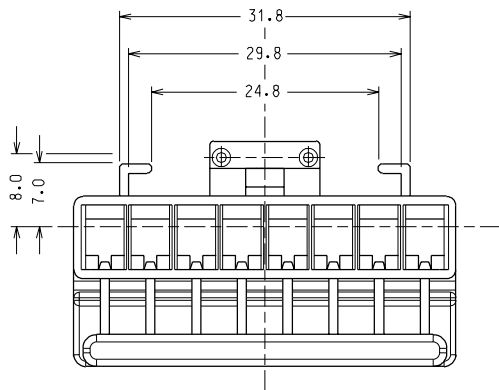
POLARIZZAZIONE TIPO "B"
TYPE "B" POLARIZATION

EC NO. Z9-139 DRWNS. BARBIERI 26-03-99 CHK: S. SORATO 29-03-99 APPR: M. MARTUCCI 29-03-99	QUALITY SYMBOLS MAJOR M SIGNIF. S CRITICAL C	GENERAL TOLERANCES: (UNLESS SPECIFIED)		SCALE 2:1	DESIGN UNITS <input checked="" type="checkbox"/> mm <input type="checkbox"/> INCH	DIMENSIONS: <input type="checkbox"/> mm <input type="checkbox"/> INCH <input checked="" type="checkbox"/> mm ONLY	SHT	REV
		4 PLACES ±0.1	±0.2	DRAWN BY & DATE S. BARBIERI 20-12-95	TITLE: HOUSING PER TERM. A FORCELLA DIRITTO (SENZA PINS IN ACCIAIO) HOUSING FOR STRAIGHT FORK TERMINAL (WITHOUT STEEL PINS)			
B1	REV	3 PLACES ±0.2	±0.1	CHECKED BY & DATE	APPROVED BY & DATE M. PREVIATO 20-12-95	MATERIAL NO. SEE TABLES	DRAWING NO. SD-94509-009	SHEET NO. 8/10
		2 PLACES ±0.1	±0.2	ANGULAR: ± 2°	CAD FILENAME 94509009.S07			
		1 PLACE ±0.2	±0.1	DRAFT WHERE APPLICABLE MUST REMAIN WITHIN DIMENSIONS		THIS DRAWING CONTAINS INFORMATION THAT IS PROPRIETARY TO MOLEX INCORPORATED AND SHOULD NOT BE USED WITHOUT WRITTEN PERMISSION.		

HOUSINGS A 8 VIE: / 8 CKT HOUSINGS:

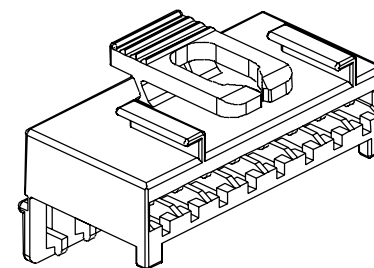
(VEDERE ANCHE FOGLIO PRECEDENTE)

(SEE ALSO THE PREVIOUS SHEET)



POLARIZZAZIONE TIPO "C"
TYPE "C" POLARIZATION

N.° VIE	CODICE HOUSING/TIPO POLARIZZAZIONE	
CKT No.	HOUSING P/N / POLARIZATION	
	C	D
8	94509-9830	94509-9840




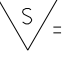


POLARIZZAZIONE TIPO "D"
TYPE "D" POLARIZATION

EC NO. Z9-139 DRWNS. BARBIERI 26-03-99 CHK: S. SORATO 29-03-99 APPR: M. MARTUCCI 29-03-99	QUALITY SYMBOLS MAJOR M SIGNIF. S CRITICAL C	GENERAL TOLERANCES: (UNLESS SPECIFIED)		SCALE 2:1	DESIGN UNITS <input checked="" type="checkbox"/> mm <input type="checkbox"/> INCH	DIMENSIONS: <input type="checkbox"/> mm <input type="checkbox"/> INCH <input checked="" type="checkbox"/> mm ONLY	SHT	REV
		4 PLACES ±0.1	±0.2	DRAWN BY & DATE S. BARBIERI 20-12-95	FIRST ANGLE PROJECTION	TITLE: HOUSING PER TERM. A FORCELLA DIRITTO (SENZA PINS IN ACCIAIO) HOUSING FOR STRAIGHT FORK TERMINAL (WITHOUT STEEL PINS)		REVISION ON CAD ONLY
B1	REV	3 PLACES ±0.1	±0.2	CHECKED BY & DATE	APPROVED BY & DATE M. PREVIATO 20-12-95	MATERIAL NO. SEE TABLES	DRAWING NO. SD-94509-009	SHEET NO. 9/10
		2 PLACES ±0.1	±0.2	ANGULAR: ± 2°	CAD FILENAME 94509009.S08			
		1 PLACE ±0.2	±0.2	DRAFT WHERE APPLICABLE MUST REMAIN WITHIN DIMENSIONS		THIS DRAWING CONTAINS INFORMATION THAT IS PROPRIETARY TO MOLEX INCORPORATED AND SHOULD NOT BE USED WITHOUT WRITTEN PERMISSION.		

CONFEZIONE - PACKAGING

I PEZZI SONO CONFEZIONATI IN SACCHETTI DI PLASTICA POSTI IN SCATOLE DI CARTONE
 PARTS ARE PACKED IN PLASTIC BAGS PUT IN CARTON BOXES

CKT No.	HOUSING P/N - POLARIZATION				STD PACK. QUANTITY
	A	B	C	D	
2	94509-5210	94509-5220			7500
3	94509-9310	94509-9320			5500
4	94509-9410	94509-9420			3000
5	94509-9510	94509-9520			3300
6	94509-9610	94509-9620			2800
7	94509-9710	94509-9720			1500
8	94509-9810	94509-9820	94509-9830	94509-9840	2000

EC NO. SEE SHT 1 DRWN: CHK: APPR:	DESCRIPTION REV	QUALITY SYMBOLS MAJOR  = SIGNIF.  = CRITICAL  =	GENERAL TOLERANCES: (UNLESS SPECIFIED)	SCALE 2:1	DESIGN UNITS <input checked="" type="checkbox"/> mm <input type="checkbox"/> INCH	DIMENSIONS: <input type="checkbox"/> mm <input type="checkbox"/> INCH <input checked="" type="checkbox"/> mm ONLY	FIRST ANGLE PROJECTION 	SHT REV	
		DRAWN BY & DATE S. BARBIERI 26-03-99	CHECKED BY & DATE S. SORATO 29-03-99	APPROVED BY & DATE R. MARTUCCI 29-03-99	CAD FILENAME 94509009.S09	MATERIAL NO. SEE TABLES	DRAWING NO. SD-94509-009	SHEET NO. 10/10	
		4 PLACES ±0. ±.	3 PLACES ±0. ±.	2 PLACES ±0.1 ±.	1 PLACE ±0.2 ±.	ANGULAR: ± 2°	DRAFT WHERE APPLICABLE MUST REMAIN WITHIN DIMENSIONS	TITLE: HOUSING PER TERM. A FORCELLA DIRITTO (SENZA PINS IN ACCIAIO) HOUSING FOR STRAIGHT FORK TERMINAL (WITHOUT STEEL PINS)	MOLEX INCORPORATED
		THIS DRAWING CONTAINS INFORMATION THAT IS PROPRIETARY TO MOLEX INCORPORATED AND SHOULD NOT BE USED WITHOUT WRITTEN PERMISSION.						SIZE A3	