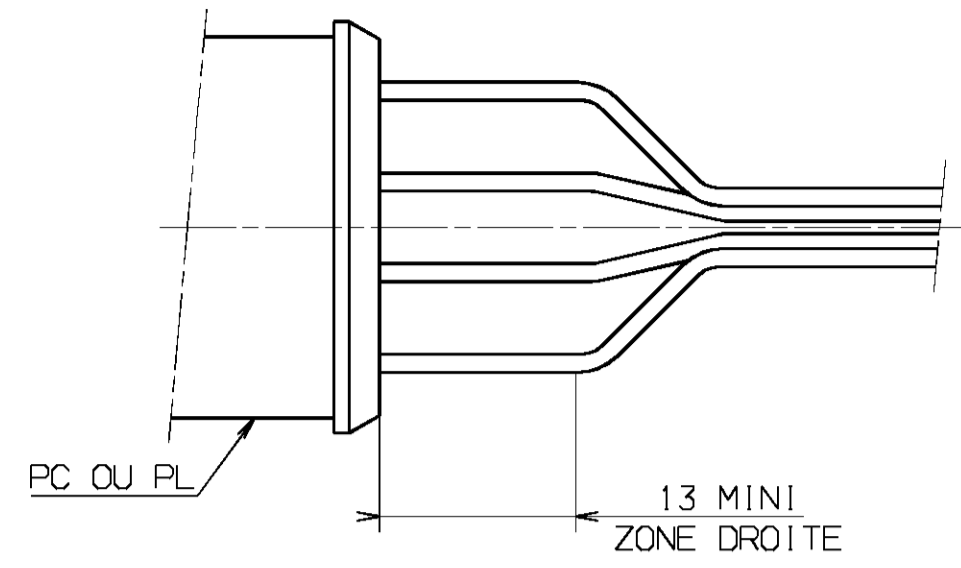


**PRESENTATION**

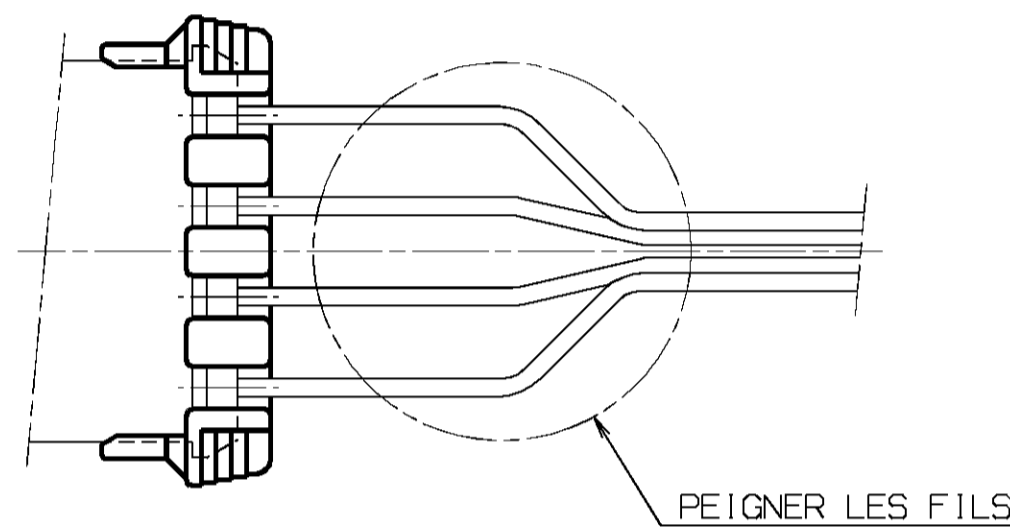
4V REPRESENTE



1

**MISE EN PLACE  
DU PC OU PL**

4V REPRESENTE



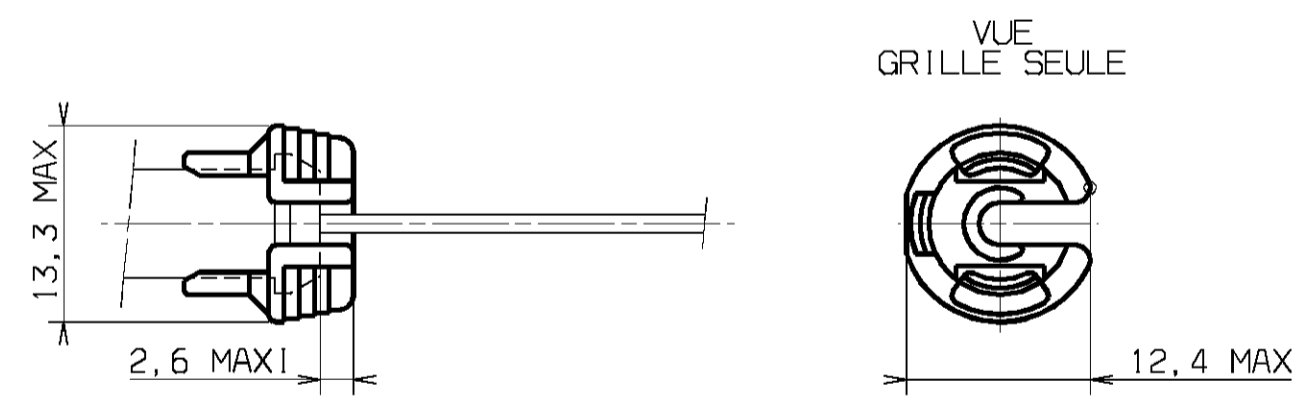
2

<b>GRILLE</b>	<b>6V</b>	PL SCC 6V ETANCHE EQUIPE	REF. MOLEX 0989711061
		PC SCC 6V ETANCHE EQUIPE	REF. MOLEX 0989691061
	<b>5V</b>	PL SCC 5V ETANCHE EQUIPE	REF. MOLEX 0989711051
		PC SCC 5V ETANCHE EQUIPE	REF. MOLEX 0989691051
	<b>4V</b>	PL SCC 4V ETANCHE EQUIPE	REF. MOLEX 0989711041
		PC SCC 4V ETANCHE EQUIPE	REF. MOLEX 0989691041
	<b>3V</b>	PL SCC 3V ETANCHE EQUIPE	REF. MOLEX 0989711031
		PC SCC 3V ETANCHE EQUIPE	REF. MOLEX 0989691031
	<b>2V</b>	PL SCC 2V ETANCHE EQUIPE	REF. MOLEX 0989711021
		PC SCC 2V ETANCHE EQUIPE	REF. MOLEX 0989691021
	<b>1V</b>	PL SCC 2V ETANCHE EQUIPE	REF. MOLEX 0989691121
		PC SCC 2V ETANCHE EQUIPE	REF. MOLEX 0989691121
<b>1V</b>	PL SCC 1V ETANCHE EQUIPE	REF. MOLEX 0989711011	
	PC SCC 1V ETANCHE EQUIPE	REF. MOLEX 0989691011	

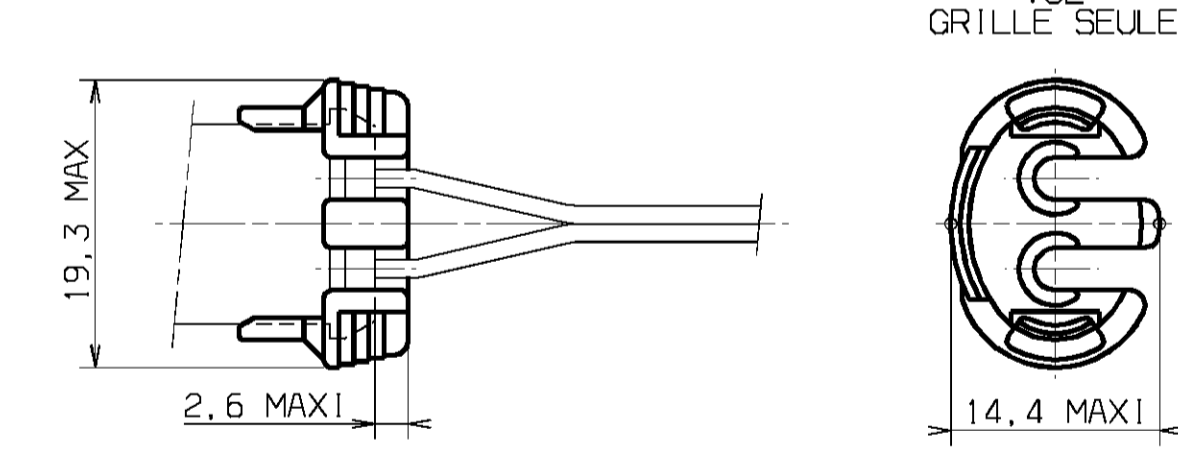
SE MONTE SUR

MODIFICATIONS			
Ind./locali.	Description	Nom	Date
A	Change part numbers and drawing frame		05/12/08

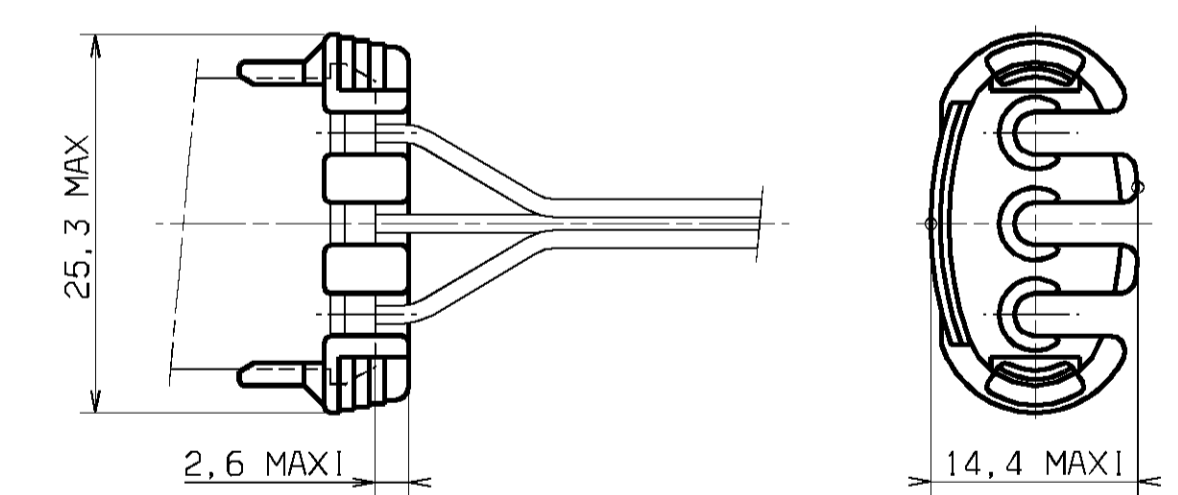
**ENCOMBREMENT 1V**



**ENCOMBREMENT 2V**

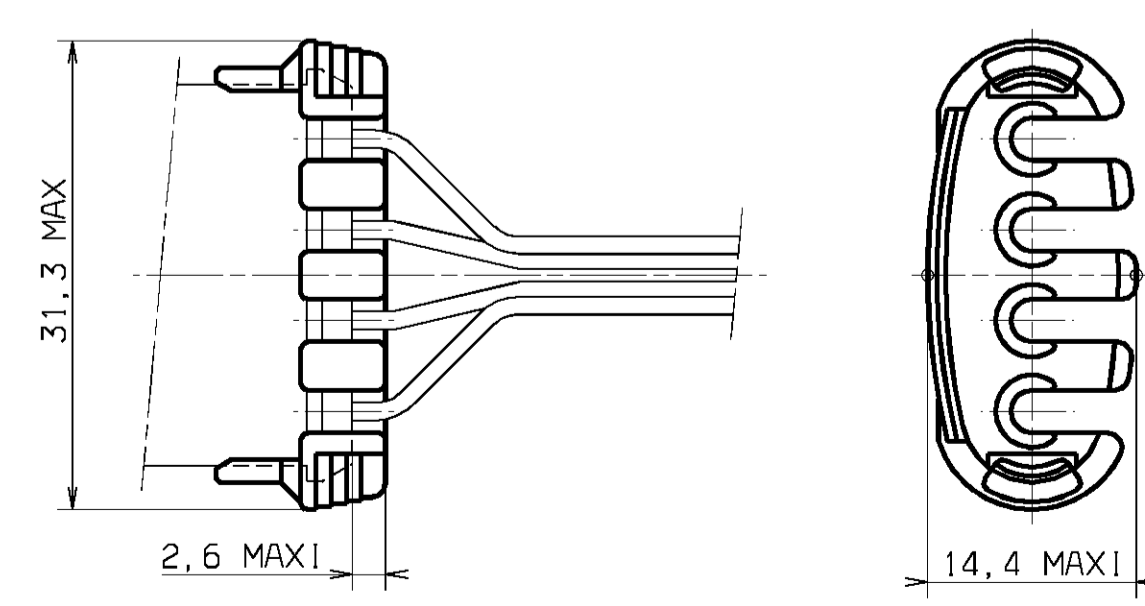


**ENCOMBREMENT 3V**

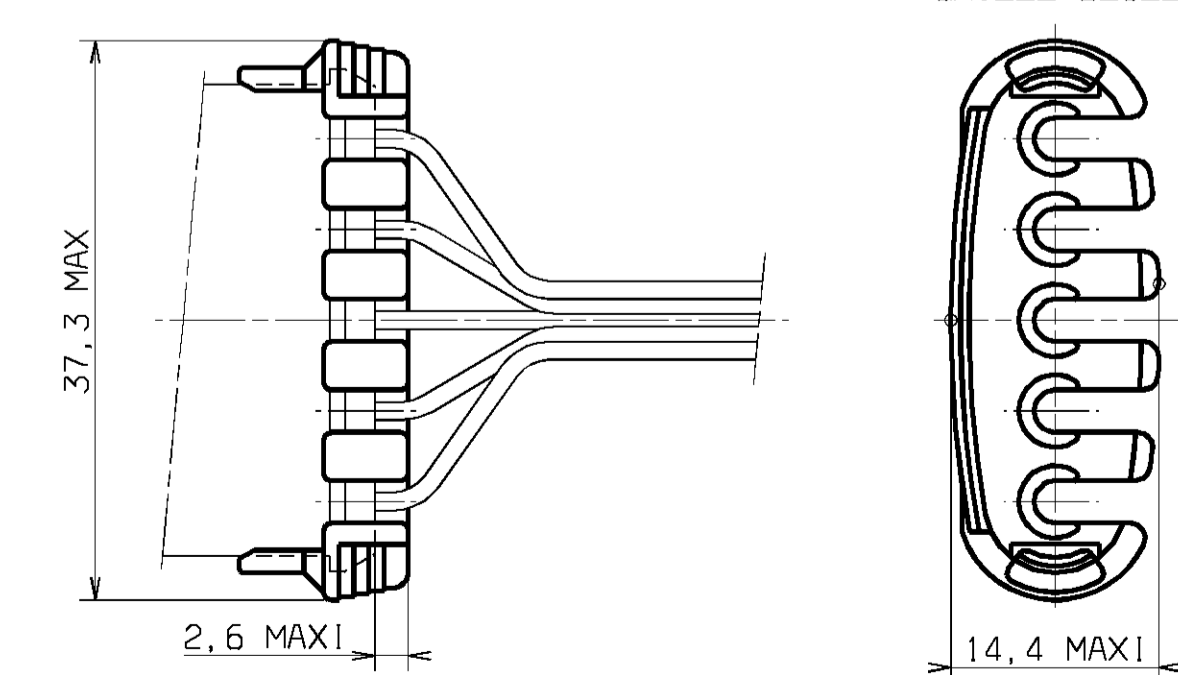


3

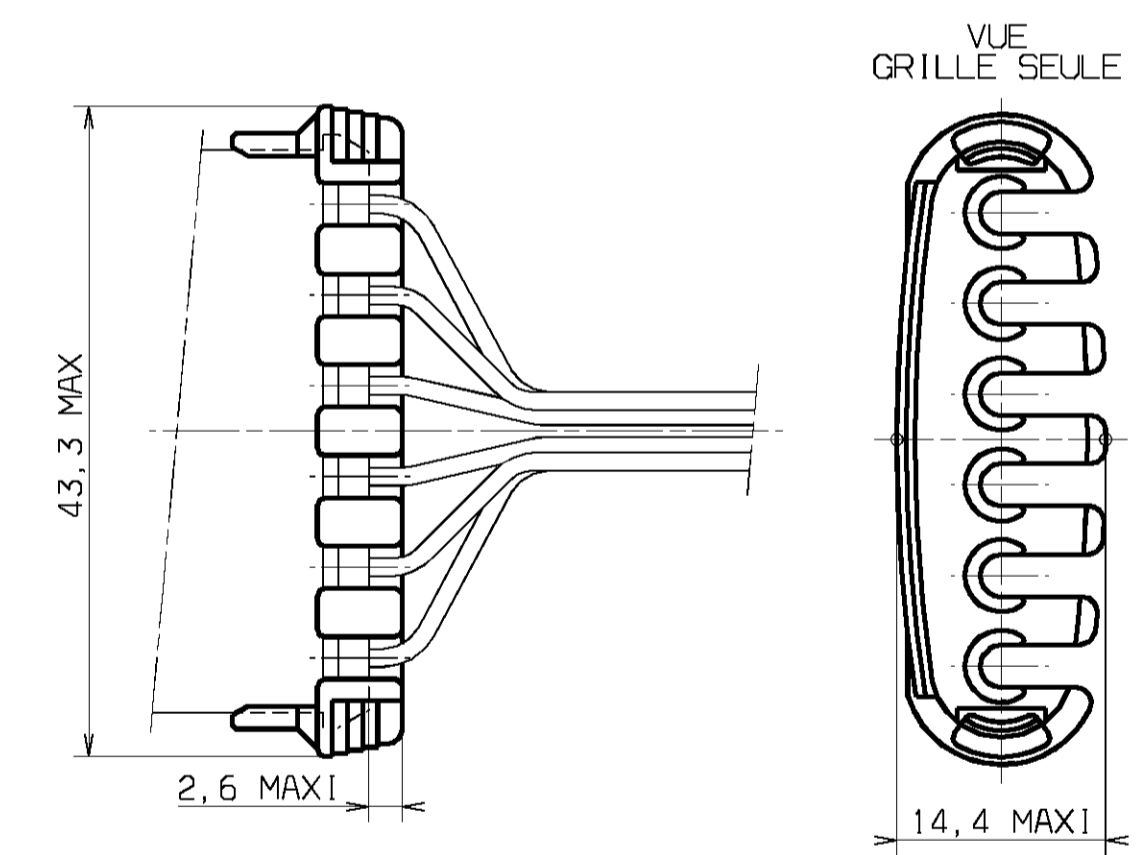
**ENCOMBREMENT 4V**



**ENCOMBREMENT 5V**



**ENCOMBREMENT 6V**

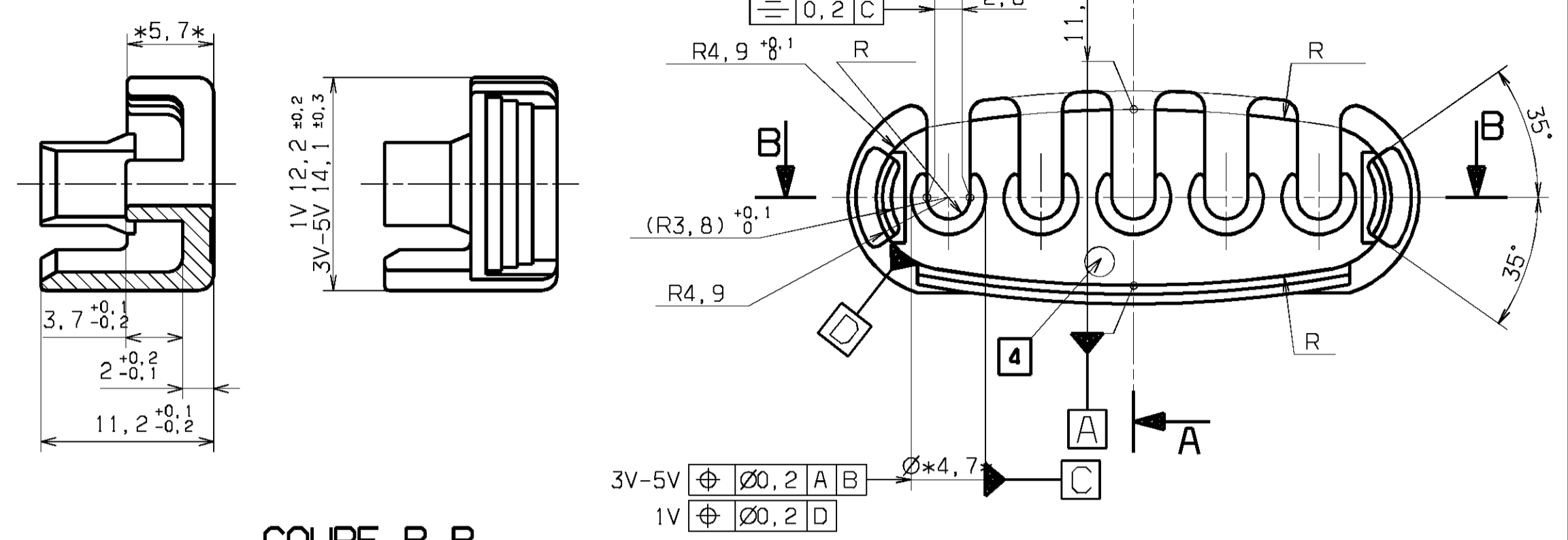


UPDATED DRAWING EC NO: G2006-0245 DRAWN: PBOUQUIN 2006/01/26 CH: KO: JUDUCLOS 2006/01/26 APPR: LSTICKEIR 2006/01/26	GENERAL TOLERANCES (UNLESS SPECIFIED)		DIMENSION STYLE MM ONLY		SCALE 2:1	DESIGN UNITS METRIC	FIRST ANGLE PROJECTION
	4 PLACES ±	±	mm	INCH	DRAWN BY PBO	DATE 96/06/07	TITLE UCC RCPT CONN GRID SLD
	3 PLACES ±	±			CHECKED BY JLD	DATE 05/12/08	
	2 PLACES ± 0.1	±			APPROVED BY LST	DATE 05/12/08	
1 PLACE ± 0.1		±	ANGULAR ± 2°		MATERIAL NO. SEE SHEET 2/2		
DRAFT WHERE APPLICABLE MUST REMAIN WITHIN DIMENSIONS				DOCUMENT NO. SD-98969-006		SHEET NO. 1 OF 2	
THIS DRAWING CONTAINS INFORMATION THAT IS PROPRIETARY TO MOLEX INCORPORATED AND SHOULD NOT BE USED WITHOUT WRITTEN PERMISSION							

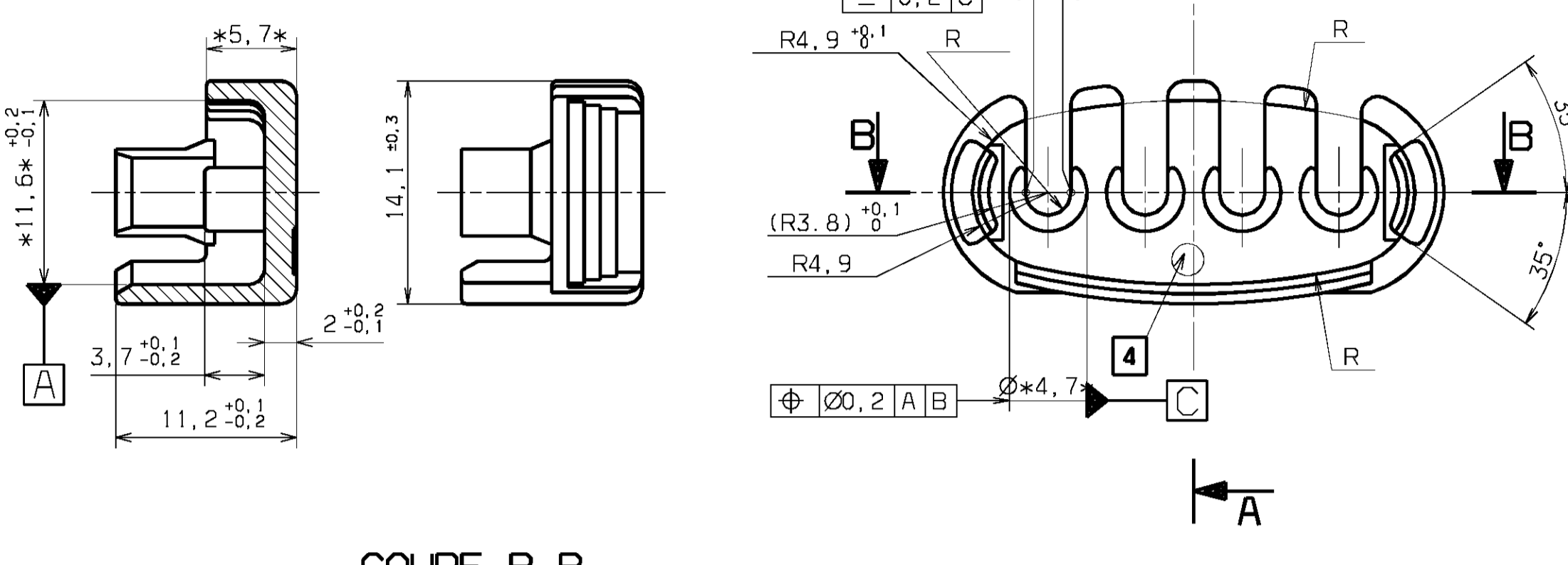
# GRILLE 1V - 3V - 5V

# GRILLE 2V - 4V - 6V

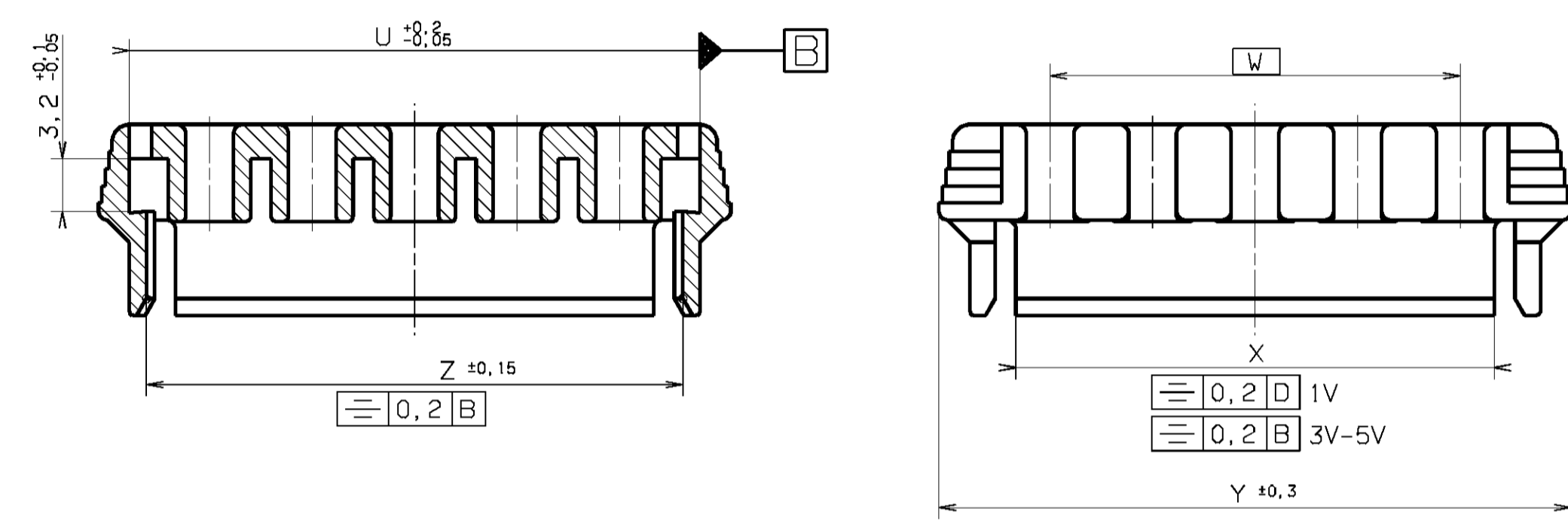
COUPE A-A



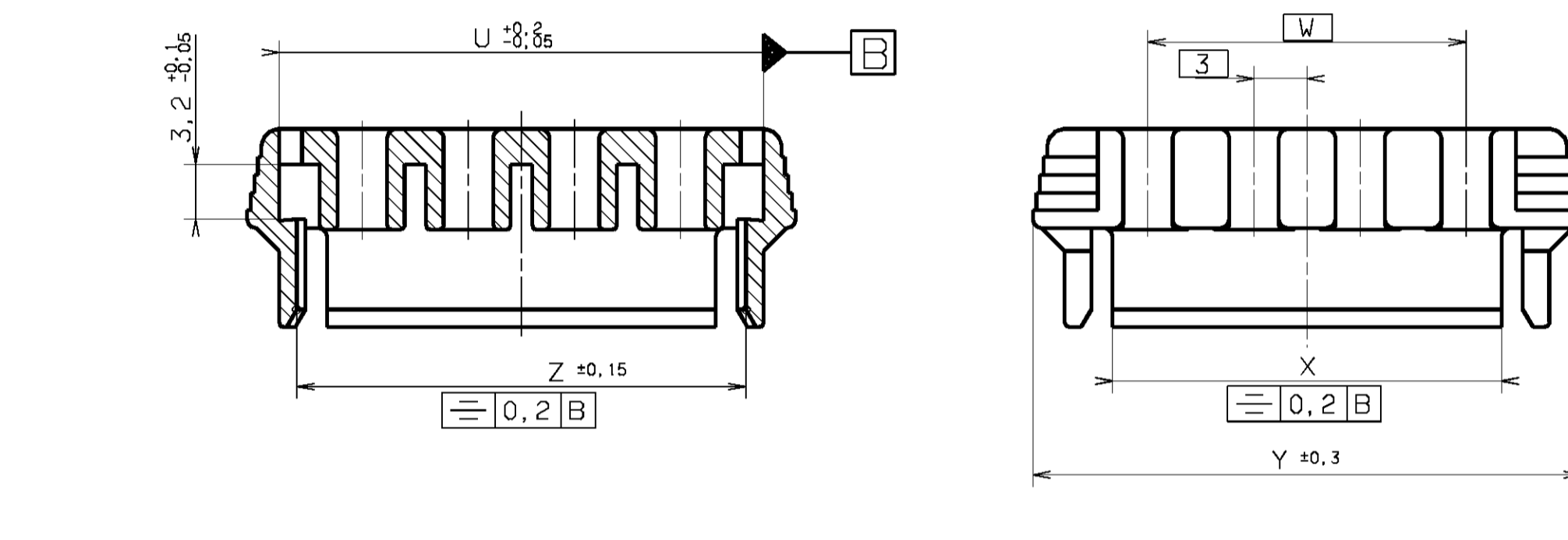
COUPE A-A



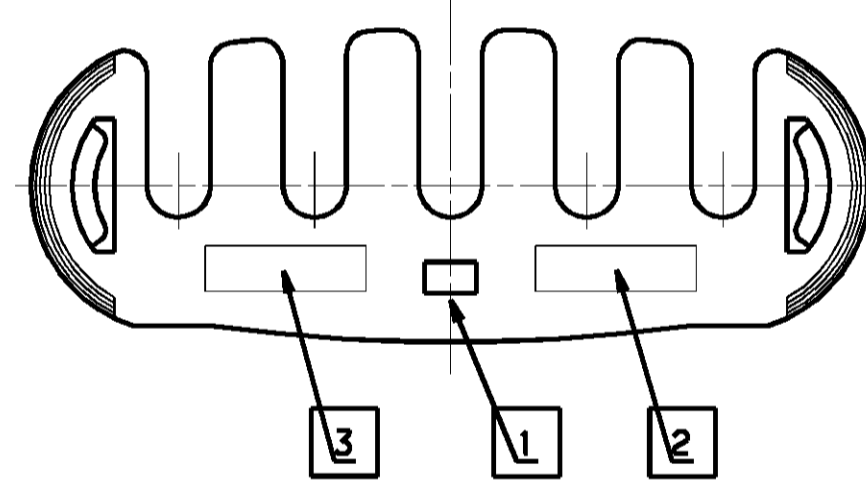
COUPE B-B



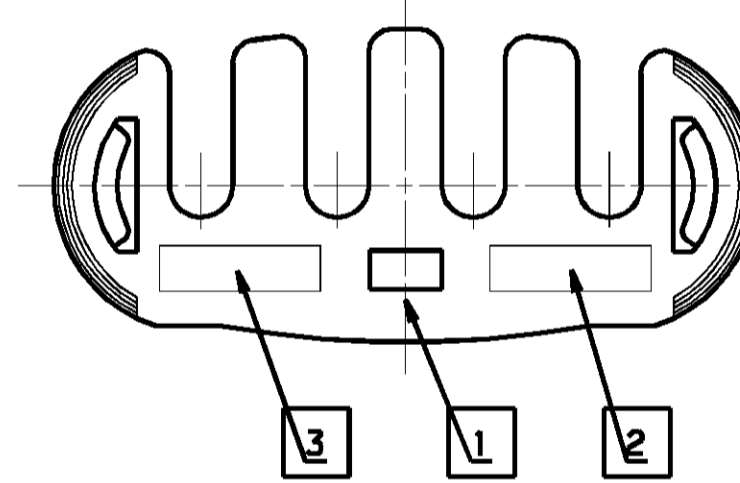
COUPE B-B



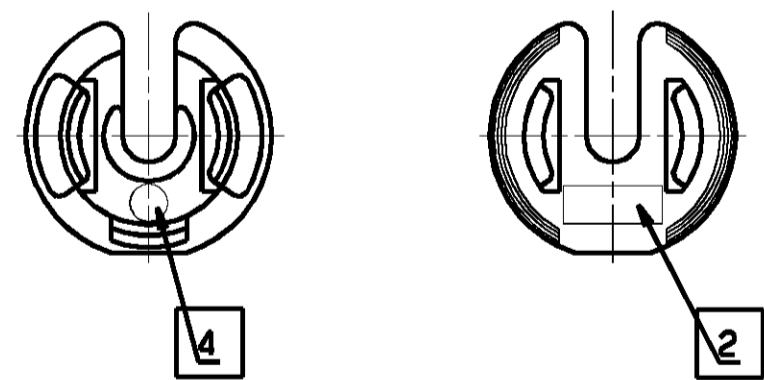
GRILLE 5V  
REPRESENTEE



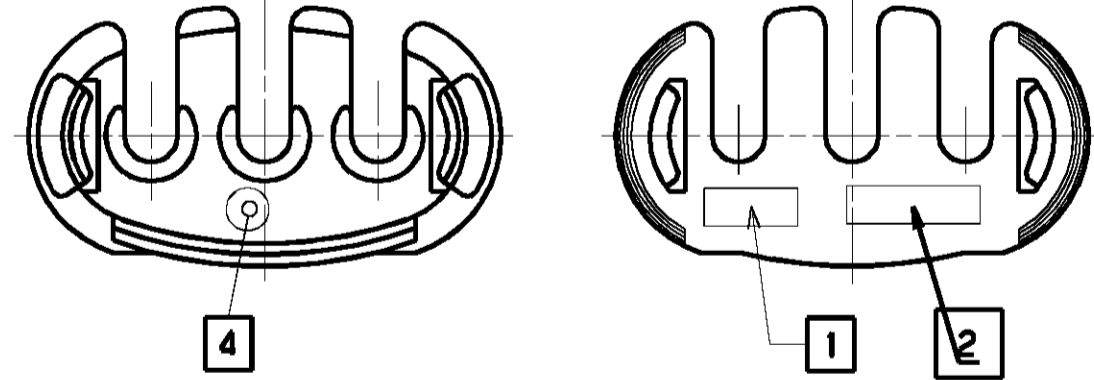
GRILLE 4V  
REPRESENTEE



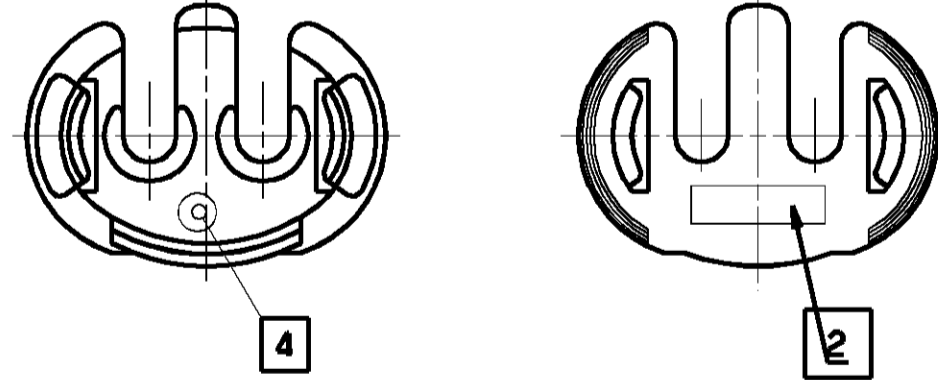
MARQUAGE 1V



MARQUAGE 3V



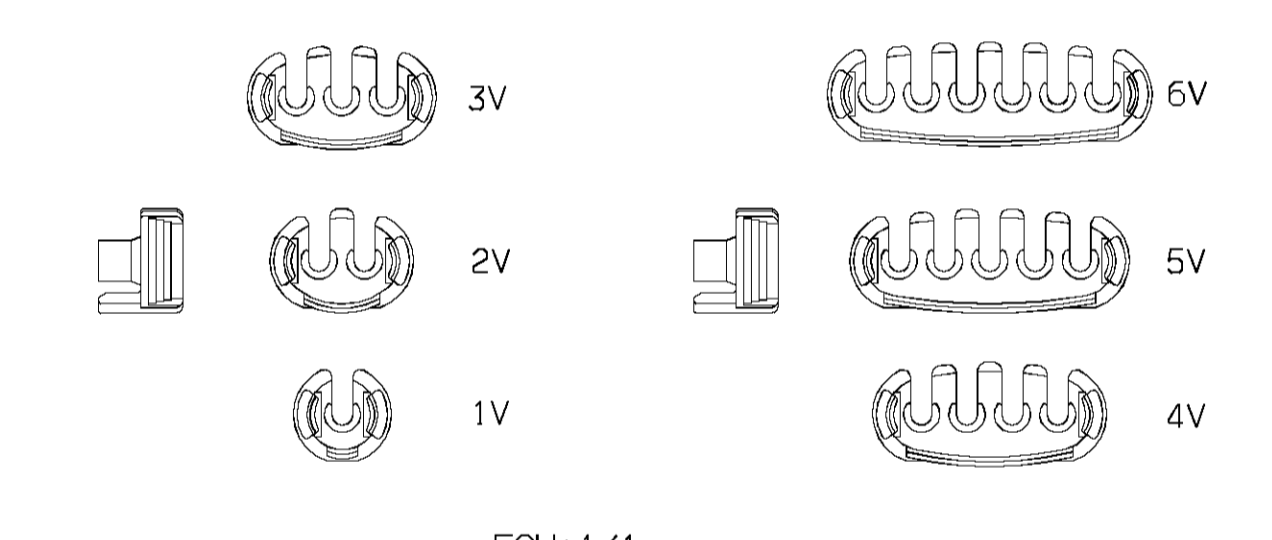
MARQUAGE 2V



MARQUAGE 6V

IDENTIQUE AU 4V

MODIFICATIONS			
Ind./Locali.	Description	Non	Date
A	Change part numbers, supplier logo and drawing frame	05/12/08	



ECH: 1/1

	6V	5V	4V	3V	2V	1V
REF. MOLEX	0989691461	0989691451	0989691441	0989691431	0989691421	0989691411
U	39,6	33,6	27,6	21,6	15,6	
W	5x6=30	4x6=24	3x6=18	2x6=12	6	
X	34	28	22	16	10	4
Y	43	37	31	25	19	13
Z	37,7	31,7	25,7	19,7	13,7	7,7

NOTA/NOTE  
Matière : PA 6.6-GF20 noir  
Material

- MARQUAGE**
- 1 \* SIGLE FOURNISSEUR
  - 2 \* REF. FOURNISSEUR
  - 3 \* MATIERE >PA66-GF20<
  - 4 \* REPERE EMPREINTE

- COTES A CONTROLER SUR PIECES REHUMIDIFIEES ENTRE 1 ET 1,5%

UPDATED DRAWING EC NO: G2006-0245 DRAWN: PBOUSSOUAIN 2006/01/26 CH: KO: JDUCLLOS 2006/01/26 APPR: LST LICKE IR 2006/01/26	GENERAL TOLERANCES (UNLESS SPECIFIED)		DIMENSION STYLE MM ONLY		SCALE 3:1	DESIGN UNITS METRIC	FIRST ANGLE PROJECTION
	4 PLACES ±	mm	INCH	DRAWN BY PBO	DATE 96/06/07	TITLE UCC RCPT CONN GRID SLD	
	3 PLACES ±	± 0.1		CHECKED BY JLD	DATE 05/12/08	MATERIAL NO. SEE CHART	
	2 PLACES ±	± 0.1		APPROVED BY LST	DATE 05/12/08	DOCUMENT NO. SD-98969-006	
1 PLACE ±	± 0.1		ANGULAR ± 2°		MOLEX INCORPORATED		SHEET NO. 2 OF 2
DRAFT WHERE APPLICABLE MUST REMAIN WITHIN DIMENSIONS				THIS DRAWING CONTAINS INFORMATION THAT IS PROPRIETARY TO MOLEX INCORPORATED AND SHOULD NOT BE USED WITHOUT WRITTEN PERMISSION			