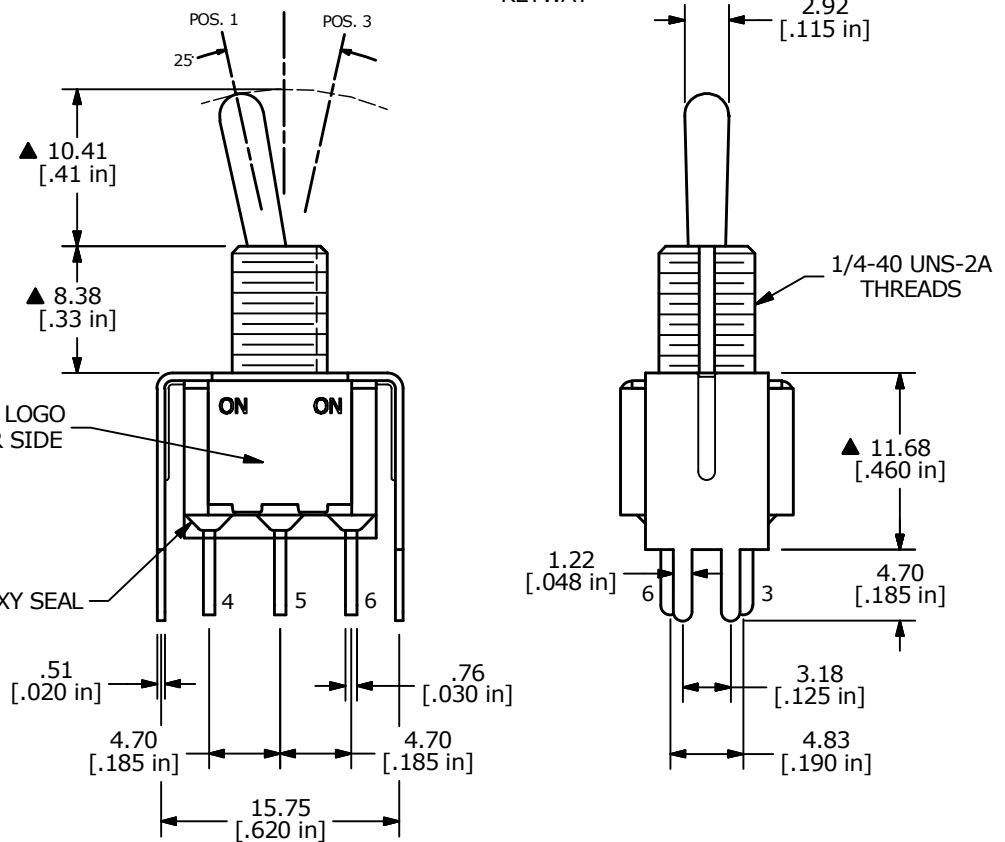
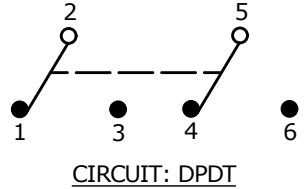


▲ SWITCH FUNCTION		
POS. 1	POS. 2	POS. 3
ON	NONE	ON
2-3, 5-6	N/A	2-1, 5-4



- NOTES:**
- ALL DIMENSIONS IN MM [INCH]
 - GENERAL TOLERANCE: x.x = ± 0.4
x.xx = ± 0.25
 - TERM. NUMBERS FOR REFERENCE ONLY
 - RATING: 2 AMPS @250VAC
5 AMPS @120VAC OR 28VDC
 - FIXED TERM. & MOVING CONTACT:
COPPER ALLOY W/SLIVER PLATE OVER NICKEL PLATE
 - ELECTRICAL LIFE:
40,000 MAKE-AND BREAK CYCLES AT FULL LOAD
 - INSULATION RESISTANCE: 1,000M OHM MIN.
 - DIELECTRIC STRENGTH: 1000V RMS @ SEA LEVEL
 - OPERATING TEMP: -30°C to 85°C
 - ▲ DENOTES CRITICAL PARAMETER
 - CONTACT MATERIAL: SILVER
 - HARDWARE TO BE SHIPPED BULK:
T100011 - LOCK WASHER, QTY 1
T100015 - LOCK RING, QTY 1
T100000 - HEX NUT, QTY 2



D	23953	update drawing	6/26/19	MW
REV	PCR NO	DESCRIPTION	DATE	BY

THE INFORMATION CONTAINED IN THIS DOCUMENT IS PROPRIETARY TO E-SWITCH AND IS NOT TO BE COPIED OR TRANSFERRED

TITLE 100DP1T1B1VS2QEH				
SCALE 2:1	DATE 12/28/2006	DR TN	DWG ST121070	REV D