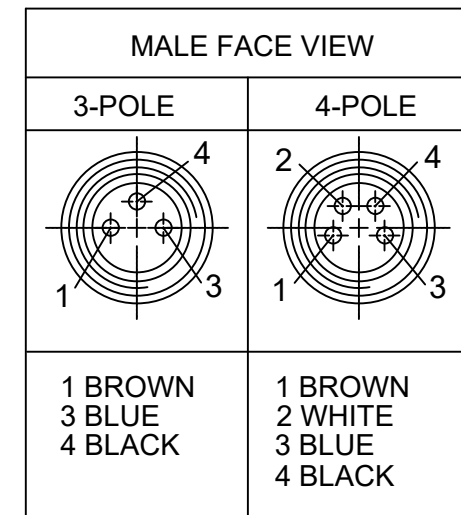
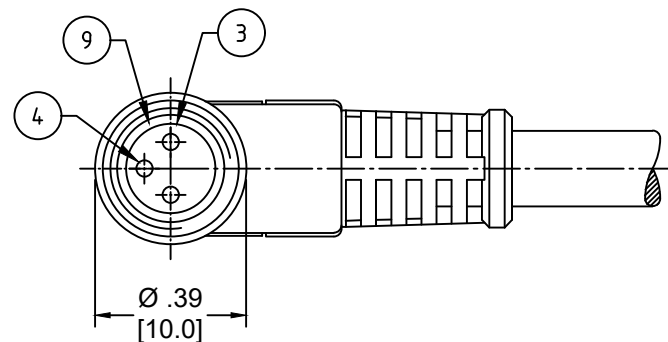
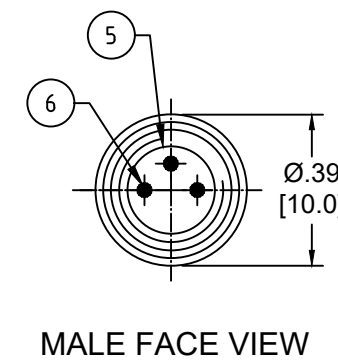
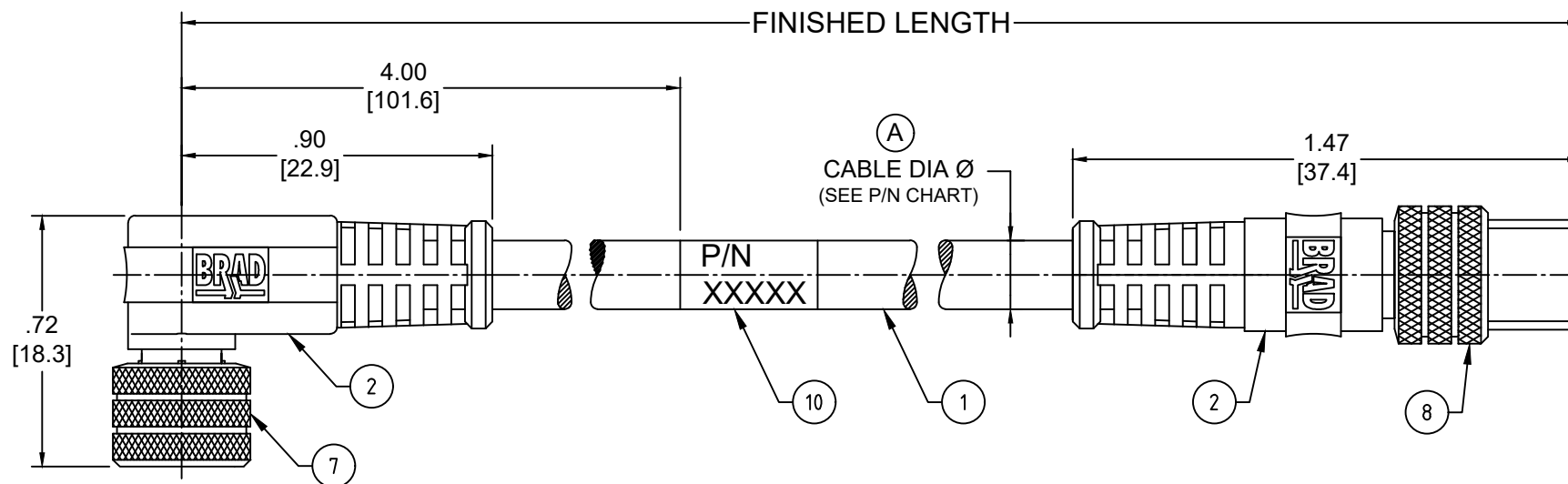


MATERIAL NUMBER	ENGINEERING NUMBER	FINISHED LENGTH	POLES	CABLE DIA
1200870242	443031A10M006	0.6M [2 FT]	3	.17 /4.3
1200870248	443031A10M050	5M [16 FT 5 IN]		
1200878583	444031A10M006	0.6M [2 FT]	4	.18/4.5
1200870107	444031A10M050	5M [16 FT 5 IN]		



- NOTES:
- MATERIAL: AS NOTED
 - FINISH: AS NOTED
 - ELECTRICAL:
VOLTAGE : 60VAC/75VDC
CURRENT: 4A (A)
 - TEMP RATING: -20° TO +105°C
 - PROTECTION: IP67 (WHEN MATED)
 - COUPLING THREAD: M8 X 1
 - UL LISTED FILE: E152210
CSA CERTIFIED FILE: LR6837
 - ALL DIMENSIONS ARE FOR REFERENCE UNLESS TOLERANCED OR NOTED OTHERWISE



ITEM	COMPONENT	MATERIAL	FINISH
10	WRAP LABEL	VINYL	BLACK/YELLOW
9	O-RING	VITON	RED
8	MALE COUPLING NUT	BRASS	NICKEL PLATED
7	FEMALE COUPLING NUT	BRASS	NICKEL PLATED
6	PIN CONTACT	COPPER ALLOY	GOLD OVER NICKEL
5	MALE INSERT	PUR	BLACK
4	SOCKET CONTACT	COPPER ALLOY	GOLD OVER NICKEL
3	FEMALE INSERT	PUR	BLACK
2	OVERMOLD	TPC	YELLOW
1	CABLE #24/3-4 AWG	PVC	YELLOW

PART NUMBER LEGEND

443031A10M006

POLES (3 & 4)

LENGTH
M001 = .1 METER
M010 = 1 METER
M100 = 10 METER

(A) CABLE LENGTH TOLERANCES

<.3M [1FT]:	+19mm-0 [+ .75in-0]
.3 - .9M [1 - 3FT]:	+44.5mm-0 [+1.75in-0]
.9 - 1.8M [3 - 6FT]:	+55.6mm-0 [+2.19in-0]
1.8 - 3.7M [6 - 12FT]:	+88.9mm-0 [+3.50in-0]
3.7 - 7.3M [12 - 24FT]:	+165.1mm-0 [+6.50in-0]
7.3-14.6M [24 - 48FT]:	+317.5mm-0 [+12.50in-0]
14.6 - 30.5M [48-100FT]:	+622.3mm-0 [+24.50in-0]
OVER 30M [100FT]:	+2% OF FINISHED LENGTH

FUNCTIONAL SYMBOLS $F_A=0$ $F_B=0$ $F_P=0$ DIVISIONAL SYMBOLS	THIS DRAWING CONTAINS INFORMATION THAT IS PROPRIETARY TO MOLEX ELECTRONIC TECHNOLOGIES, LLC AND SHOULD NOT BE USED WITHOUT WRITTEN PERMISSION		CURRENT REV DESC: ITEM #2 WAS TPE. ITEM #10 WAS MYLAR. CURRENT WAS 3A. ADDED CABLE DIA & TOL CHART. MODIFIED PN CHART.	
	DIMENSION UNITS	SCALE		
	INCH/MM	NTS	NANO-CHANGE CORDSET, M8 3-4 POLE, MALE STRAIGHT, FEMALE 90DEG, #24 AWG PVC	
	GENERAL TOLERANCES (UNLESS SPECIFIED)		PRODUCT CUSTOMER DRAWING	
4 PLACES ± --- ± ---		EC NO: 698297	DOCUMENT NUMBER	DOC TYPE/DOC PART/REVISION
3 PLACES ± --- ± ---		DRWN: ABENJAMINLW 2021/05/11	SD-120087-005	PSD 001 A
2 PLACES ± --- ± ---		CHK'D: RSTONE 2022/03/16	MATERIAL NUMBER	
1 PLACE ± --- ± ---		APPR: BWOODMAN 2022/03/26	CUSTOMER	
0 PLACES ± --- ± ---		INITIAL REVISION:	SHEET NUMBER	
ANGULAR TOL ± --- °		DRWN: REISSNER 2010/02/01	SEE CHART	GENERAL MARKET
DRAFT WHERE APPLICABLE MUST REMAIN WITHIN DIMENSIONS		APPR: FPACHER 2010/02/05	120087	1 OF 1
THIRD ANGLE PROJECTION		DRAWING	SERIES	
		A3-SIZE		