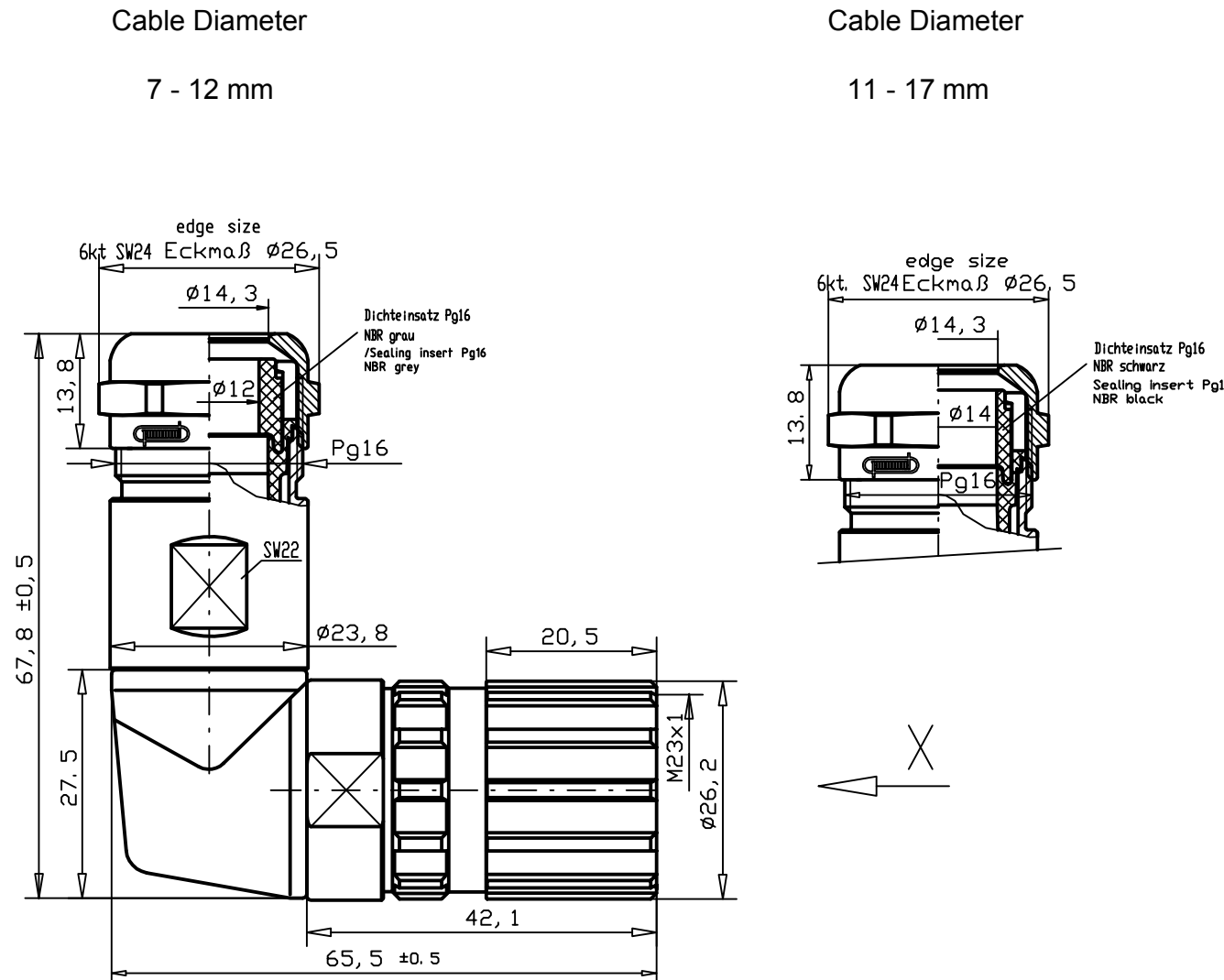
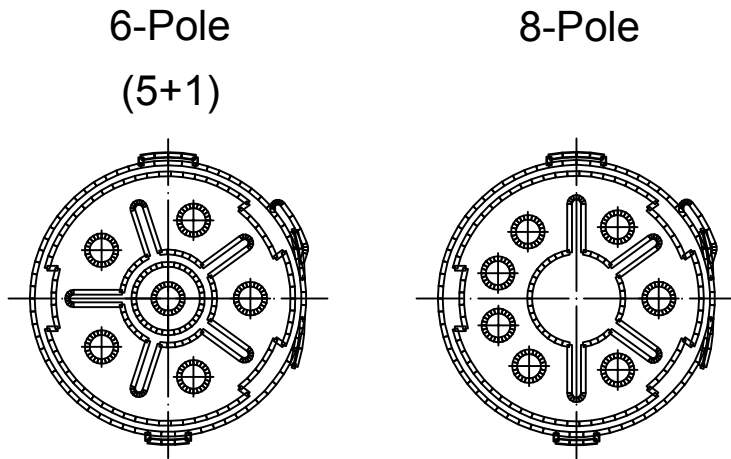


# Views from "X" rotated



Cable Diameter		Crimp Contacts	Without Contacts
6 Pole (5+PE)	7 - 12mm	KAP6S01-105 1202330009	KAP6S01-005 1202330011
	11 - 17mm	KAP6S01-109 1202330010	KAP6S01-009 1202330012
	Crimp range*	0,75-2,5mm <sup>2</sup>	
8 Pole	7 - 12mm	KAP8S01-115 1202330013	KAP8S01-005 1202330015
	11 - 17mm	KAP8S01-119 1202330014	KAP8S01-009 1202330016
	Crimp range*	0,25-1,0mm <sup>2</sup> /0,75-2,5mm <sup>2</sup>	

\*Crimp range only applies to "Crimp Contacts" version

Notes:

Tolerances (unless specified): DIN ISO 2768 m

DESCRIPTION EC NO.: WEU2009-0135 DRWN: BBRAUCH 2008/11/18 CH'KD: --- APPR: JKOLB 2009/03/02	QUALITY SYMBOLS ▽ = 0 ▽C = 0	GENERAL TOLERANCES (UNLESS SPECIFIED)		DIMENSION STYLE	SCALE	DESIGN UNITS	FIRST ANGLE PROJECTION
		mm	INCH	MM	---	METRIC	
1		4 PLACES	±----	±----	DRAWN BY	DATE	M23 FIELD-ATTACHABLE CABLE CONNECTOR FEMALE 90 DEG
		3 PLACES	±----	±----	BB	2008/11/18	
		2 PLACES	±0.05	±----	CHECKED BY	DATE	
		1 PLACE	±0.1	±----	JKO	2008/12/09	
		ANGULAR	± --- °	---	APPROVED BY	DATE	---
DRAFT WHERE APPLICABLE MUST REMAIN WITHIN DIMENSIONS		MATERIAL NO.		DOCUMENT NO.		SHEET NO.	
		see table		SD-120233-002		1 OF 1	
		SIZE A3		THIS DRAWING CONTAINS INFORMATION THAT IS PROPRIETARY TO MOLEX INCORPORATED AND SHOULD NOT BE USED WITHOUT WRITTEN PERMISSION			