

6

5

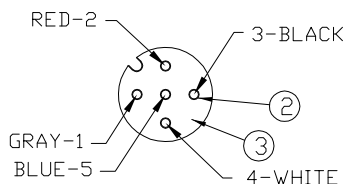
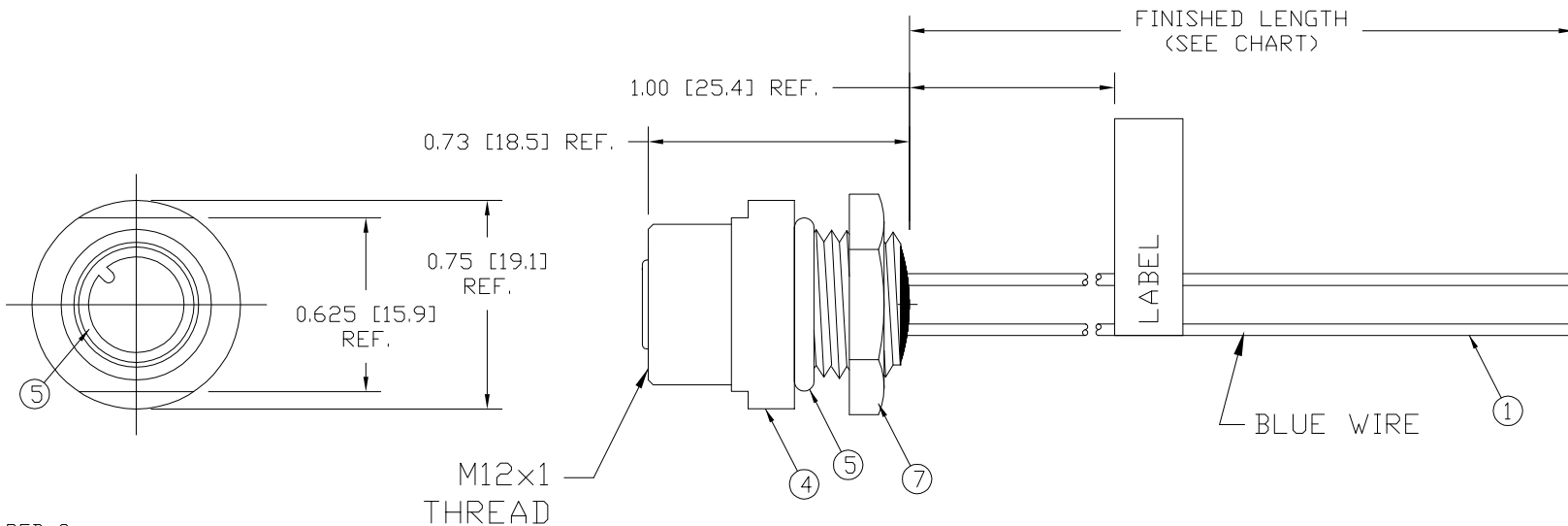
4

3

2

1

| MATERIAL NUMBER | ENGINEERING NUMBER | FINISHED LENGTH                  |
|-----------------|--------------------|----------------------------------|
| 1300310023      | 81611              | 0.31M +19.1mm -0 [12" +0.75" -0] |



FEMALE FACE VIEW

|                       |               |
|-----------------------|---------------|
| VOLTAGE RATING        | 250 VAC/VDC   |
| AMPERAGE RATING       | 4 AMPS        |
| PROTECTION            | IP67          |
| OPERATING TEMPERATURE | -20°C TO 80°C |

| ITEM | COMPONENT        | MATERIAL     | FINISH           |
|------|------------------|--------------|------------------|
| 1    | WIRE             | PVC          | SEE PINOUT       |
| 2    | CONTACT SOCKET   | COPPER ALLOY | GOLD OVER NICKEL |
| 3    | INSERT           | NYLON        | BLACK            |
| 4    | RECEPTACLE SHELL | ALUMINUM     | BLACK            |
| 5    | O-RING           | NITRILE      | BLACK            |
| 6    | Q-RING           | NITRILE      | RED              |
| 7    | PANEL NUT        | STEEL        | ZINC PLATED      |

RLSD DRAWING  
 EC NO: WNA2010-0152  
 DRWN: LHARTMAN 8/28/09  
 CHKD: BWOODMAN 09/08/28  
 APPR: JFMURPHY 2009/08/31

QUALITY SYMBOLS  
 ▽=0  
 ▽/C=0

GENERAL TOLERANCES (UNLESS SPECIFIED)

|          | mm   | INCH |
|----------|------|------|
| 4 PLACES | ±--- | ±--- |
| 3 PLACES | ±--- | ±--- |
| 2 PLACES | ±--- | ±.01 |
| 1 PLACE  | ±0.3 | ±--- |

ANGULAR ±---°  
 DRAFT WHERE APPLICABLE MUST REMAIN WITHIN DIMENSIONS

DIMENSION STYLE IN/MM  
 DRAWN BY DATE  
**BWOODMAN 2009/08/28**  
 CHECKED BY DATE  
**BWOODMAN 2009/08/28**  
 APPROVED BY DATE  
**JFMURPHY 2009/08/28**  
 MATERIAL NO.  
**SEE CHART**  
 SIZE **A**

SCALE NTS  
 DESIGN UNITS INCH  
 THIRD ANGLE PROJECTION  
 TITLE  
**MICRO-CHANGE RECEPTACLE  
 5 POLE FEMALE STRAIGHT  
 #22/1 PVC WIRE LEADS**  
 MOLEX INCORPORATED  
 DOCUMENT NO.  
**SD-130031-002**  
 SHEET NO.  
**1 OF 1**

THIS DRAWING CONTAINS INFORMATION THAT IS PROPRIETARY TO MOLEX INCORPORATED AND SHOULD NOT BE USED WITHOUT WRITTEN PERMISSION

6

5

4

3

2

1