

Housing - HC-D 25-SMLD-57/O1PG21 - 1416378

Please be informed that the data shown in this PDF Document is generated from our Online Catalog. Please find the complete data in the user's documentation. Our General Terms of Use for Downloads are valid (<http://phoenixcontact.com/download>)



Box mounting bases D25, with single locking latch, material: Aluminum die-cast, protective cover material: PA, cable outlets: 1, left (view of the opened single locking latch), height: 57 mm, cable gland: none, support sleeve: yes, 1x Pg21, protective cover: yes, Standard

Key Commercial Data

Packing unit	10 pc
GTIN	
GTIN	4055626072401

Technical data

Dimensions

Height	57 mm
Width	50 mm
Length	109.5 mm

Ambient conditions

Degree of protection of housing (IP)	IP65 (When plugged in)
	IP54 (with closed protective cover)
Ambient temperature (operation)	-40 °C ... 125 °C

General

Note	For contact inserts HC-D25, A16
Size	D25
Housing type	Box mounting bases
Locking type	with single locking latch
No. of cable outlets	1
Cable outlet	left (view of the opened single locking latch)
Screw connection	none
Type of the screw connection	1x Pg21
Protective cover	yes

Housing - HC-D 25-SMLD-57/O1PG21 - 1416378

Technical data

General

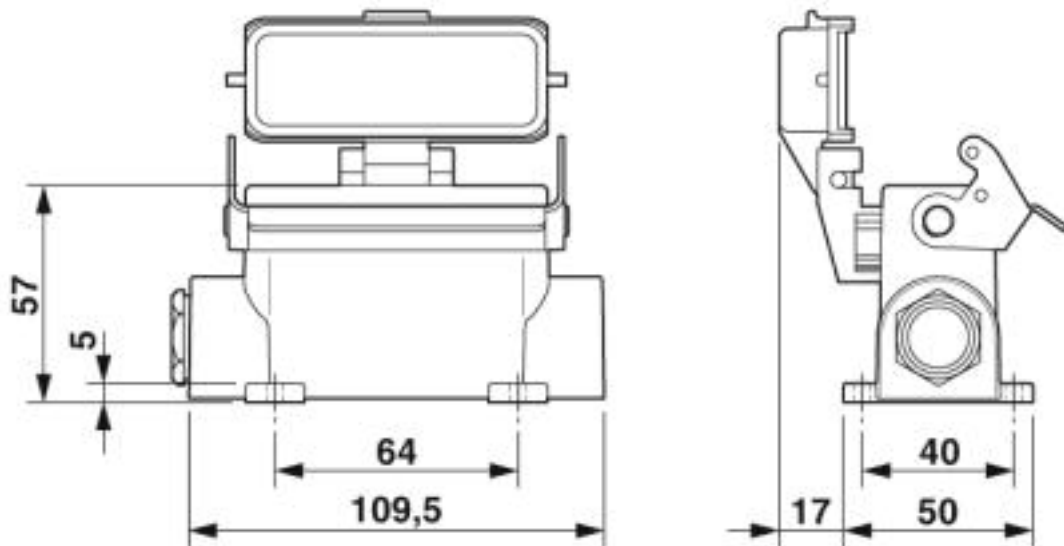
Housing material	Aluminum die-cast
Housing surface material	Powder-coated, gray
Material lock	Steel, galvanized
Material, protective cover	PA

Environmental Product Compliance

China RoHS	Environmentally friendly use period: unlimited = EFUP-e
	No hazardous substances above threshold values

Drawings

Dimensional drawing



Dimensional drawing

Phoenix Contact 2019 © - all rights reserved
<http://www.phoenixcontact.com>

PHOENIX CONTACT GmbH & Co. KG
Flachsmarktstr. 8
32825 Blomberg
Germany
Tel. +49 5235 300
Fax +49 5235 3 41200
<http://www.phoenixcontact.com>