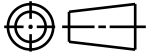
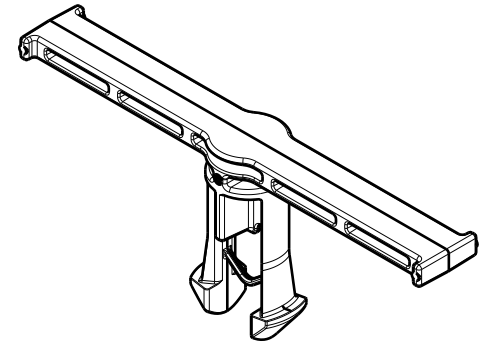
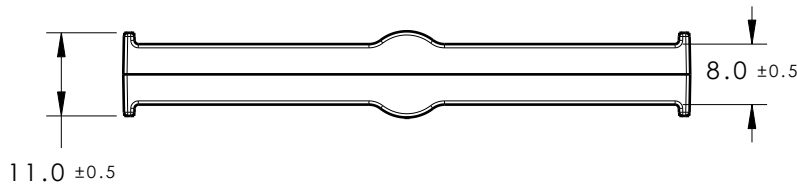


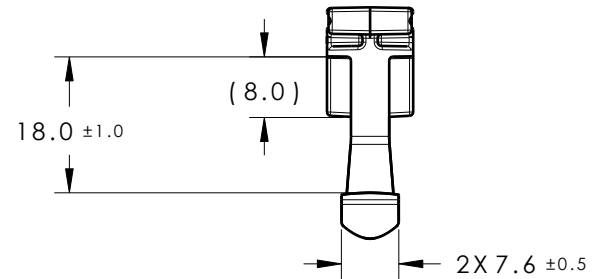
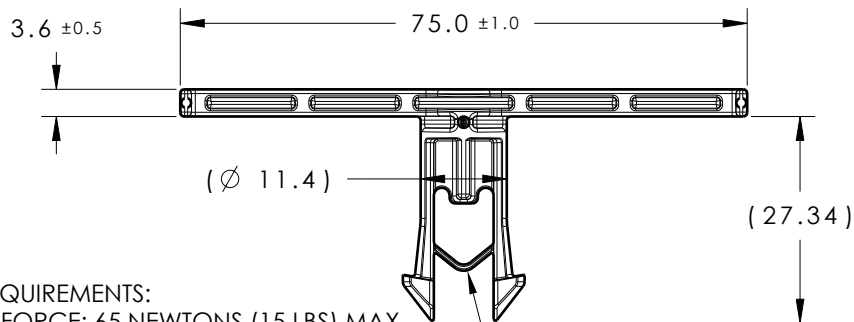
CATIA V5



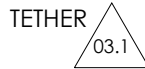
Revision Level			Revision Record	Changed	Date	Approved	Date
Drawing	State	Part					
03.1	Design Release	B	SEE ECN# 014162	CJR	11/06/17	EJH	11/06/17



ISOMETRIC VIEW



- REFERENCE:  
PERFORMANCE REQUIREMENTS:
1. MOUNT PUSH IN FORCE: 65 NEWTONS (15 LBS) MAX IN THE APPLICABLE NOMINAL HOLE SIZE AND A PLATE THICKNESS OF 14.25mm.
  2. MOUNT PULL OUT FORCE: 155 NEWTONS (35 LBS) MIN IN THE APPLICABLE NOMINAL HOLE SIZE AND A PLATE THICKNESS OF 14.25mm.
  3. SHEET METAL THICKNESS RANGE: 13.5mm - 15.0mm
  4. APPLICABLE HOLE SIZE:  
A. 12.35mm +/-0.65
  5. MAXIMUM PERCENT REGRIND PERMISSIBLE: 25%
  6. MAX ALLOWABLE FLASH OR MISMATCH TO BE: 0.5mm
  7. IF THE TETHER IS FRACTURES THE PART WILL STILL FUNCTION AS INTENDED.



Material UR0PPSFX32T4 COLOR: SILVER	Units millimeters  Tolerance defined on each dimension	The copyright of this drawing is reserved by HellermannTyton. It is issued on condition that it is not reproduced, copied or disclosed to a third party, either wholly or in part, without the consent of HellermannTyton.	Drawn	CJR	6/18/15	Article/Type-No	BCATC4/ 151-02177	Scale	1:1
			Approved	SJA	6/18/15	Title	TRANSMISSION MOUNT WITH TAPE BAR	Project Number	15-0362
 North America Email: corp@htamericas.com Web: www.hellermann.tyton.com			Drawing-No		PRODUCTION : Phase		Format	AH	
			15-0362-011-CSU				Sheet	1/1	