

NOTES:

1. MATERIAL:

CAGE ASSEMBLY: NICKEL SILVER, 0.25mm THICK
 THERMAL ASSEMBLY: ALUMINUM/COPPER ALLOY
 EMI STRAPS: PHOS-BRONZE
 LIGHT PIPES: POLYCARBONATE (OPTIONAL)
 CONNECTOR HOUSING: HIGH TEMPERATURE THERMOPLASTIC
 TERMINALS: COPPER ALLOY

2. FINISH:

CAGE ASSEMBLY: UNPLATED
 THERMAL ASSEMBLY: NICKEL PLATE
 EMI STRAPS: 0.5 um NICKEL OVERALL
 TERMINALS: CONTACT AREA: 0.76 um Min. HARD GOLD OVER NICKEL UNDERPLATE.
 COMPLIANT TAIL: 0.7-1.5 um MATTE TIN OVER NICKEL UNDERPLATE.

3. REFER TO PK-171233-0001 FOR ALL PACKAGING SPECIFICATIONS.

4. REFER TO ROUTING INFORMATION ON AS-171233-0002.

5. REFER TO PS-171565-0001 FOR ALL ELECTRICAL, MECHANICAL, ENVIRONMENTAL SPECIFICATIONS.

6. ALL VISIBLE CAGE EXTERIOR SURFACES TO BE CLASS "B", EXCEPT FOR THE UNDERSIDE OF THE CAGE AND SHOULD CONFORM TO THE MOLEX COSMETIC STANDARD ES-171233-0001. ALL REMAINING SURFACES TO BE CLASS C EXCEPT FOR THE FRONT OF THE MIDSECTION EMI SPRING FINGERS WHICH ARE A CLASS A SURFACE. SEE THE HEAT SINK SECTION FOR ITS CORRESPONDING REQUIREMENTS.

7. CONNECTOR MATES WITH PLUG CABLE SERIES 74757 AND 74758

8. DATE CODE LOCATION. DATE CODE FORMAT: LDDDYX

L: MOLEX INTERNAL CONTROL

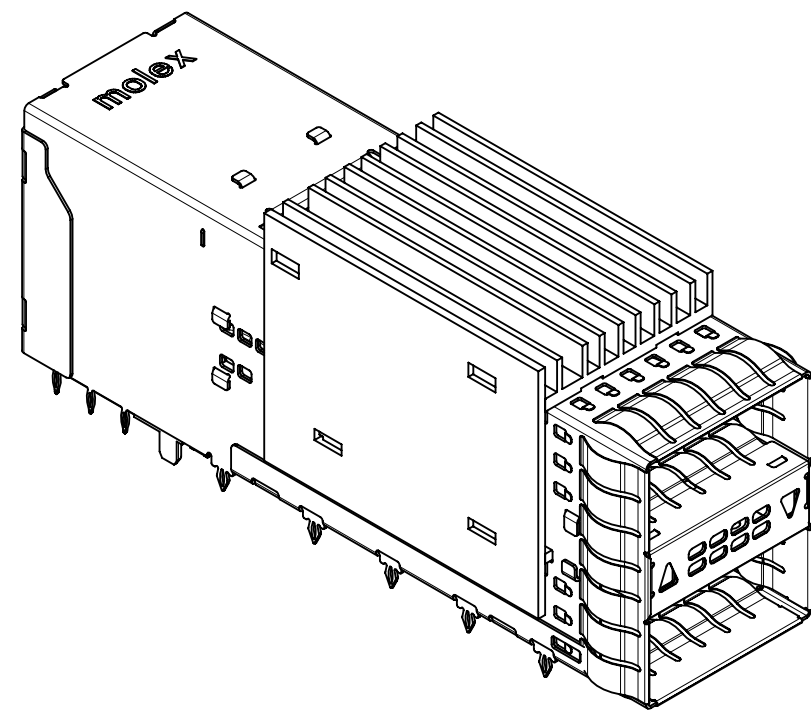
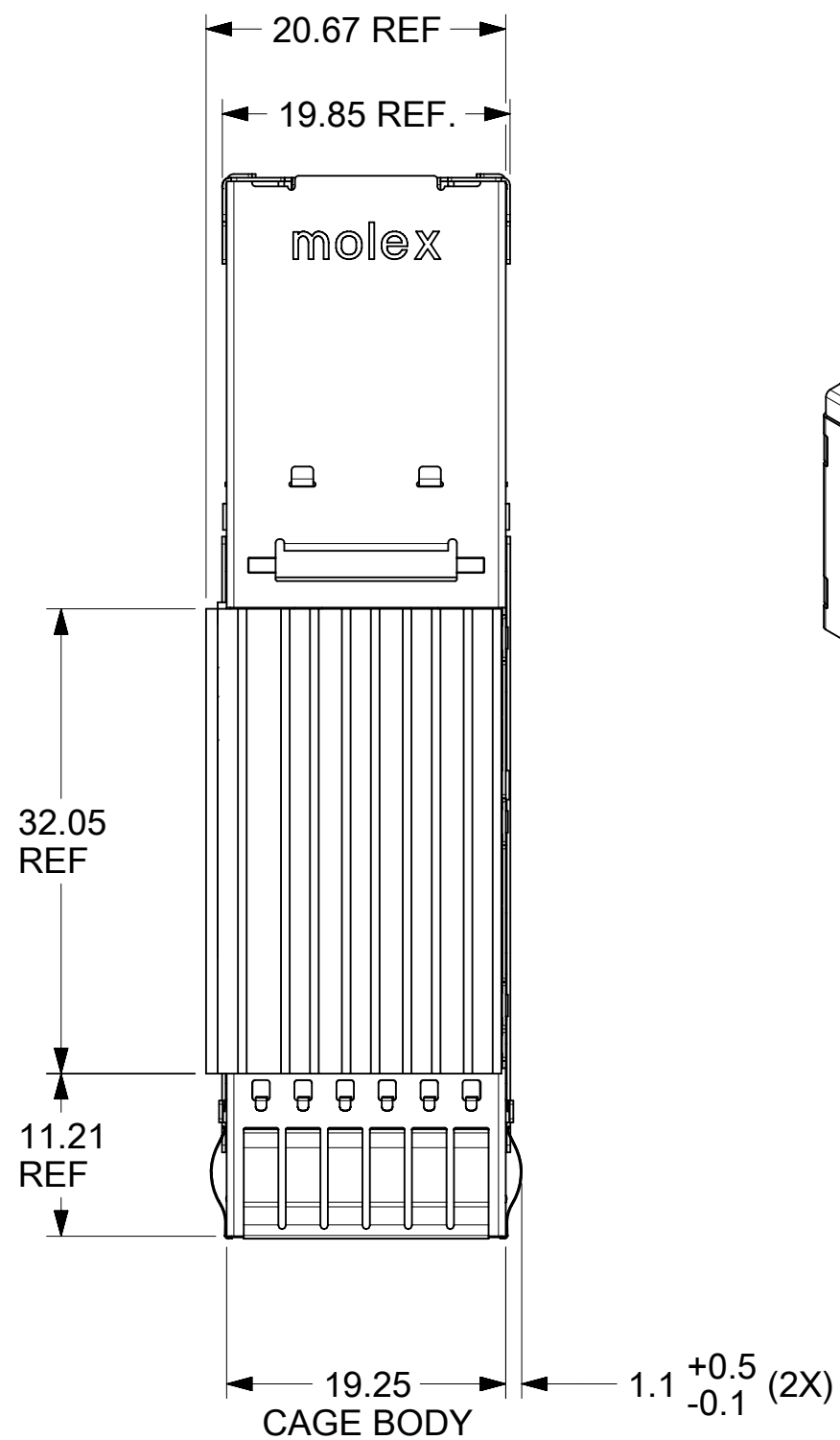
DDD: DAY OF THE YEAR

Y: LAST DIGIT OF YEAR

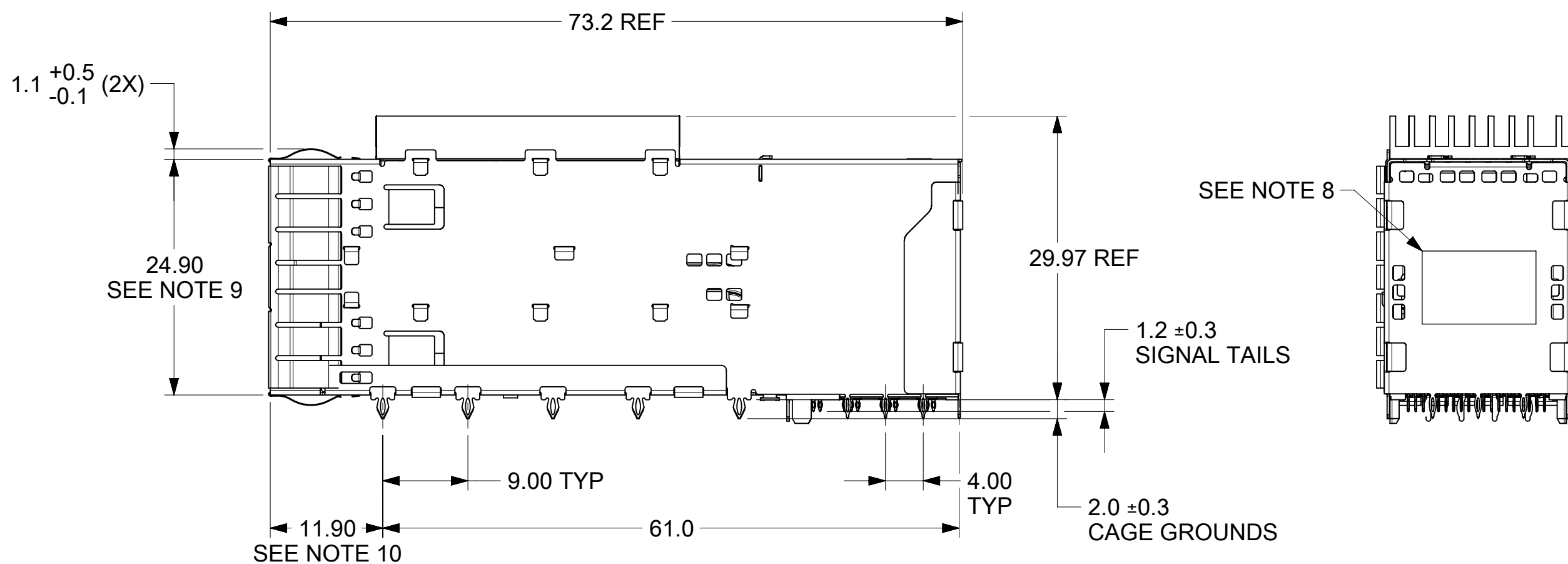
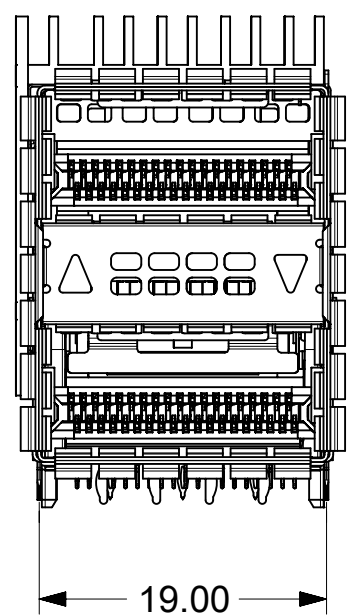
X: MOLEX INTERNAL CONTROL

9. MEASURED FROM THE TOP OF THE TOP COVER TO THE BOTTOM OF THE CAGE BASE.

10. MEASURED FROM FRONT OF TOP COVER.



SHOWN WITH EMI GASKET

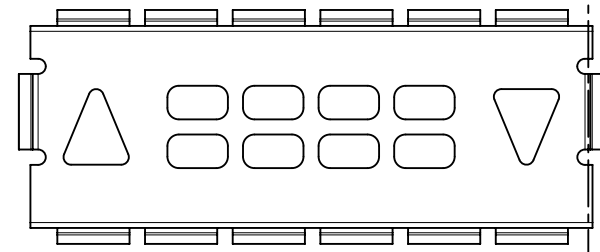


THIS DRAWING CONTAINS INFORMATION THAT IS PROPRIETARY TO MOLEX ELECTRONIC TECHNOLOGIES, LLC AND SHOULD NOT BE USED WITHOUT WRITTEN PERMISSION

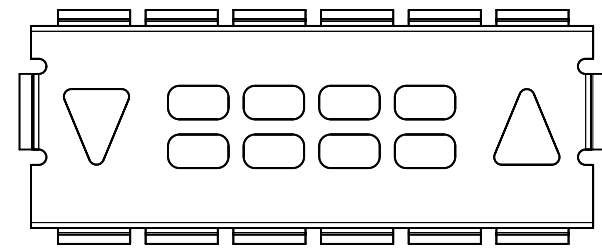
DIMENSION UNITS		SCALE		CURRENT REV DESC: OBSOLETE PART NUMBER AS PER #508521											
MM		2:1													
GENERAL TOLERANCES (UNLESS SPECIFIED)						EC NO: 667392									
						DRWN: ABHISP1 2021/04/29									
4 PLACES ±						CHK'D: GGA 2021/07/05									
3 PLACES ±						APPR: GGA 2021/07/05									
2 PLACES ± 0.13						INITIAL REVISION:									
1 PLACE ± 0.25						DRWN: HAVERY 2014/11/06									
0 PLACES ±						APPR: HAVERY 2014/11/06									
ANGULAR TOL ± 0.5 °						THIRD ANGLE PROJECTION									
DRAFT WHERE APPLICABLE MUST REMAIN WITHIN DIMENSIONS						DRAWING		SERIES		MATERIAL NUMBER		CUSTOMER		SHEET NUMBER	
						C-SIZE		170879		SEE TABLE		GENERAL MARKET		1 OF 5	

PART NUMBER	DESCRIPTION	PLATING
1708794001	LEFT UPPER PORT ARROW	TIN
1708794002	LEFT LOWER PORT ARROW	TIN

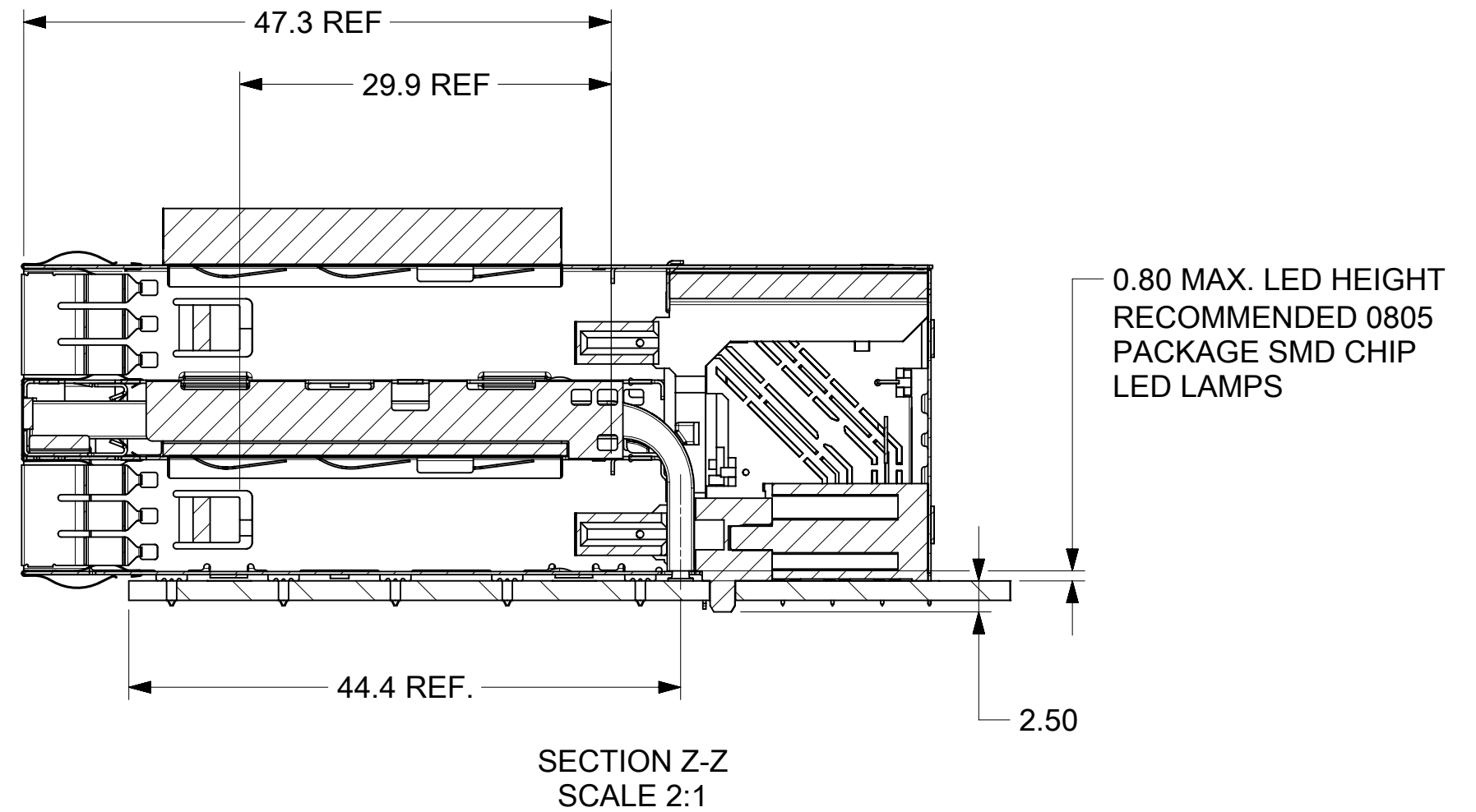
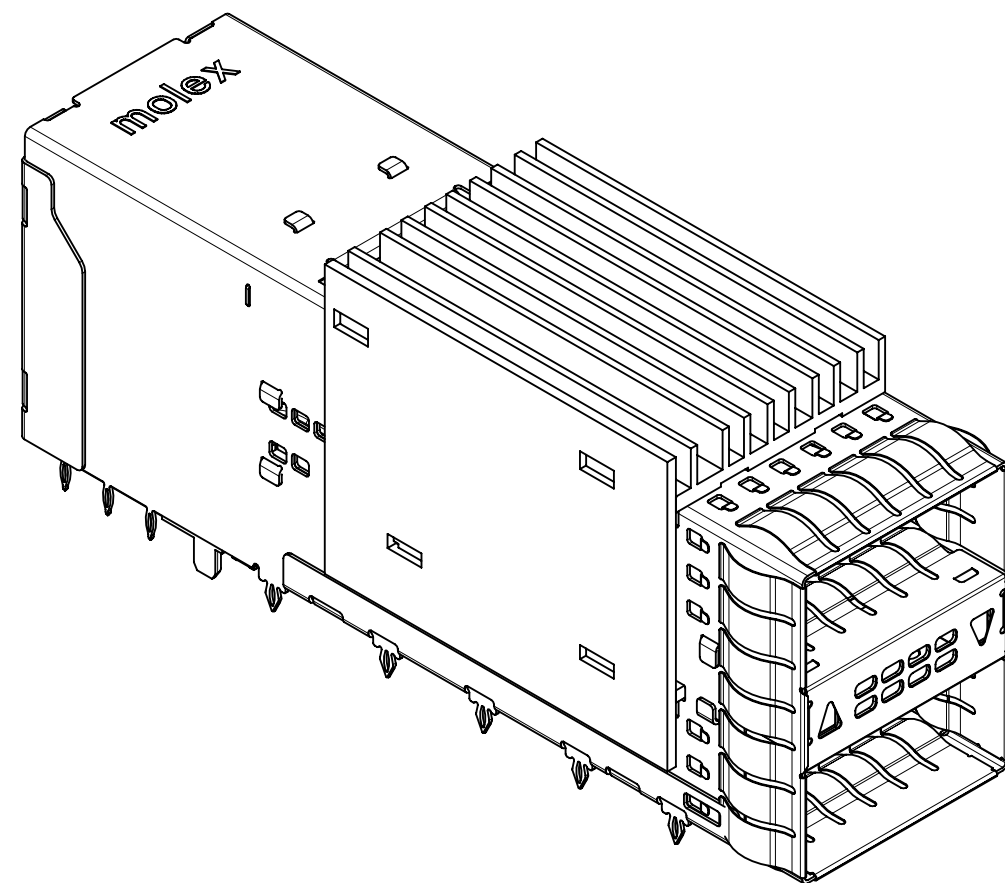
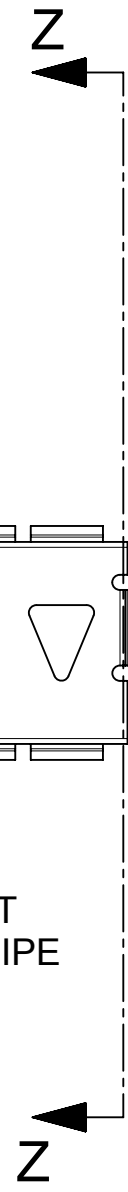
SD-170879-4000			
PSD	001	A1	



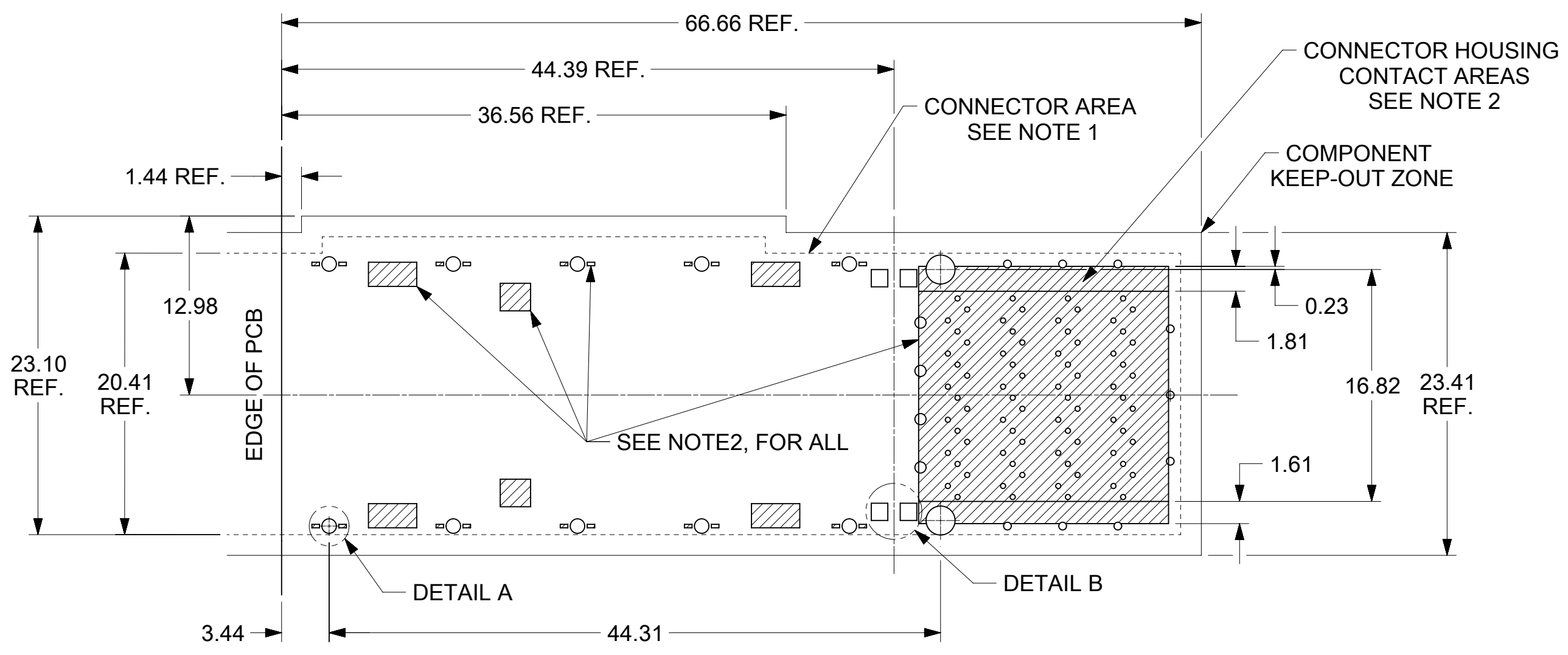
P/N: 1708794001
LEFT UPPER PORT
INDICATOR LIGHT PIPE



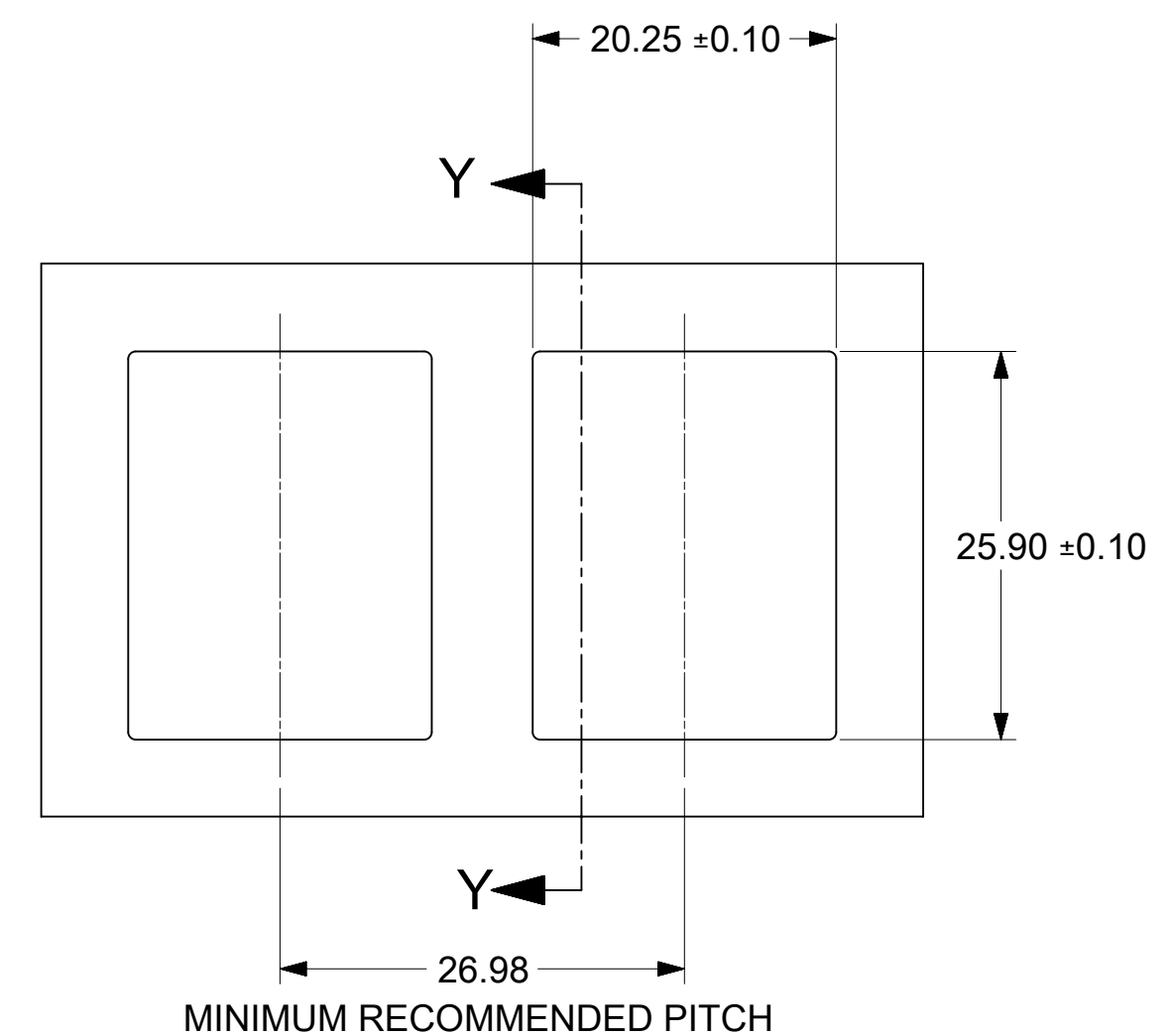
P/N: 1708794002
LEFT LOWER PORT
INDICATOR LIGHT PIPE



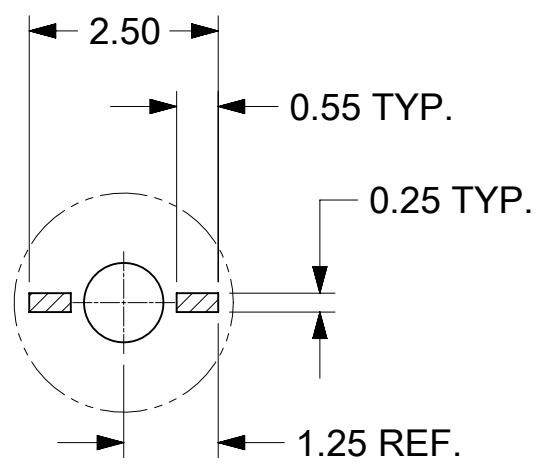
THIS DRAWING CONTAINS INFORMATION THAT IS PROPRIETARY TO MOLEX ELECTRONIC TECHNOLOGIES, LLC AND SHOULD NOT BE USED WITHOUT WRITTEN PERMISSION									
DIMENSION UNITS MM		SCALE 4:1		CURRENT REV DESC: OBSOLETE PART NUMBER AS PER #508521			molex		
GENERAL TOLERANCES (UNLESS SPECIFIED)				EC NO: 667392					
				DRWN: ABHISP1			ZQSFP 2X1 SPRING FINGER STANDARD LENGTH TMC LOW PROFILE ASSEMBLY		
4 PLACES ±		±		CHK'D: GGA			PRODUCT CUSTOMER DRAWING		
3 PLACES ±		±		APPR: GGA			DOCUMENT NUMBER		
2 PLACES ± 0.13		±		INITIAL REVISION:			SD-170879-4000		
1 PLACE ± 0.25		±		DRWN: HAVERY			PSD 001 A1		
0 PLACES ±		±		APPR: HAVERY			MATERIAL NUMBER		
ANGULAR TOL ± 0.5°		±		THIRD ANGLE PROJECTION			CUSTOMER		
DRAFT WHERE APPLICABLE MUST REMAIN WITHIN DIMENSIONS				DRAWING			SHEET NUMBER		
				C-SIZE			SEE TABLE		
				SERIES			GENERAL MARKET		
				170879			2 OF 5		



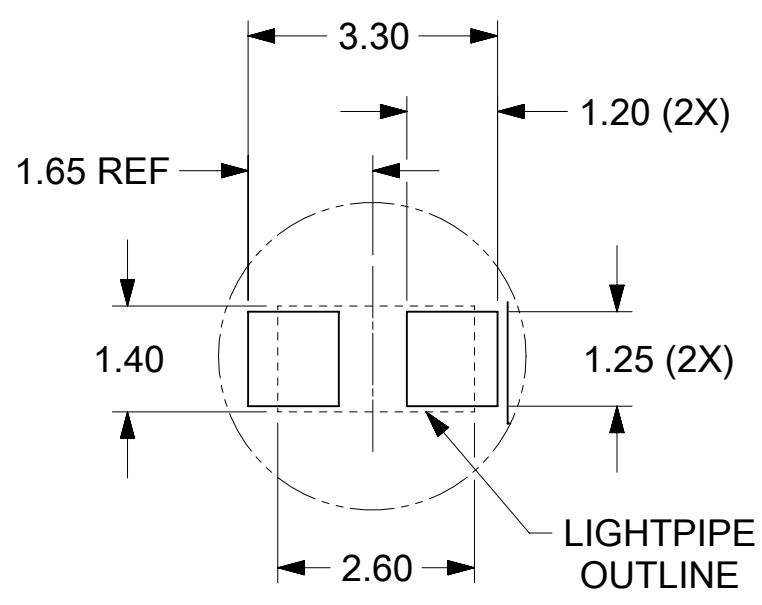
KEEP-OUT AREAS SHOWN BY CROSS HATCH COMPONENT SIDE



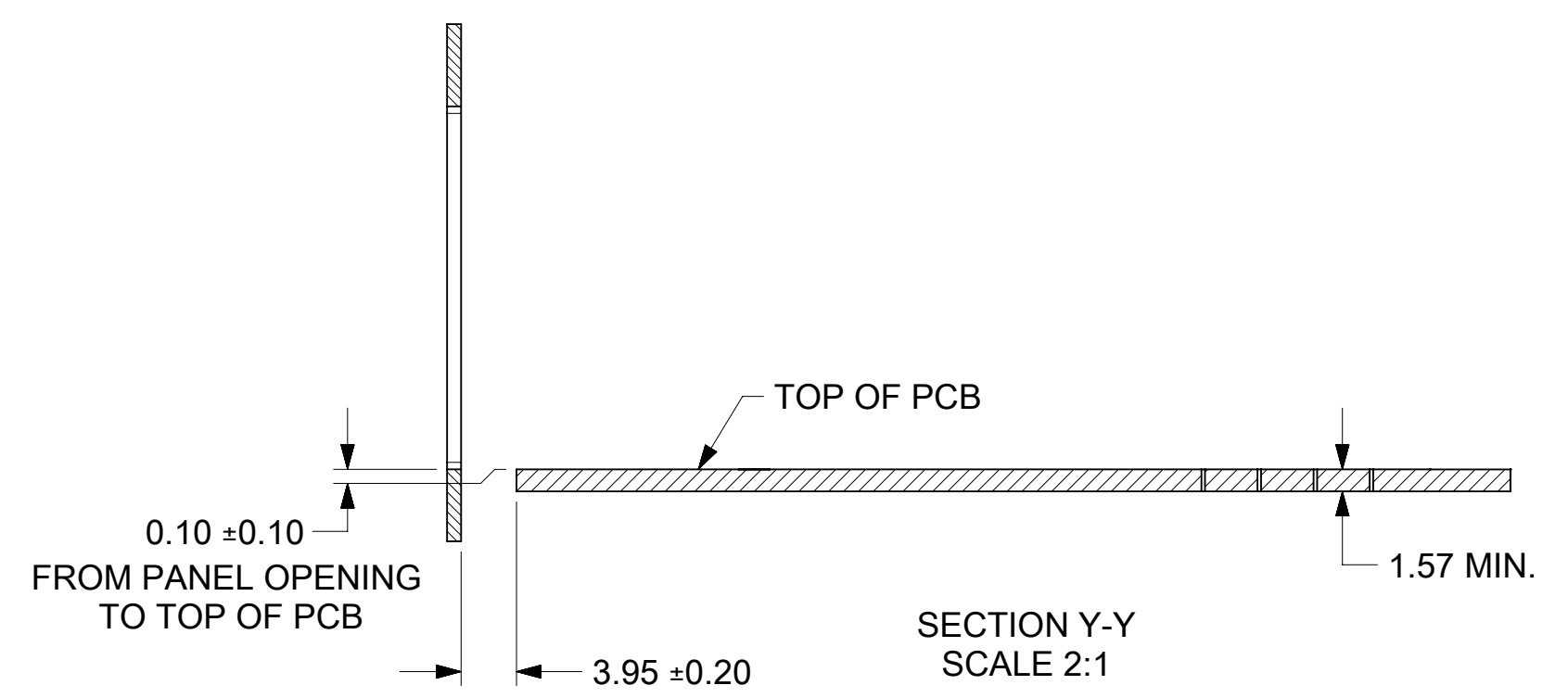
RECOMMENDED PANEL CUT-OUT SCALE 2:1



DETAIL A SCALE 10:1 (10 PLACES)



DETAIL B SCALE 10:1 LED PADS (2 PLACES)

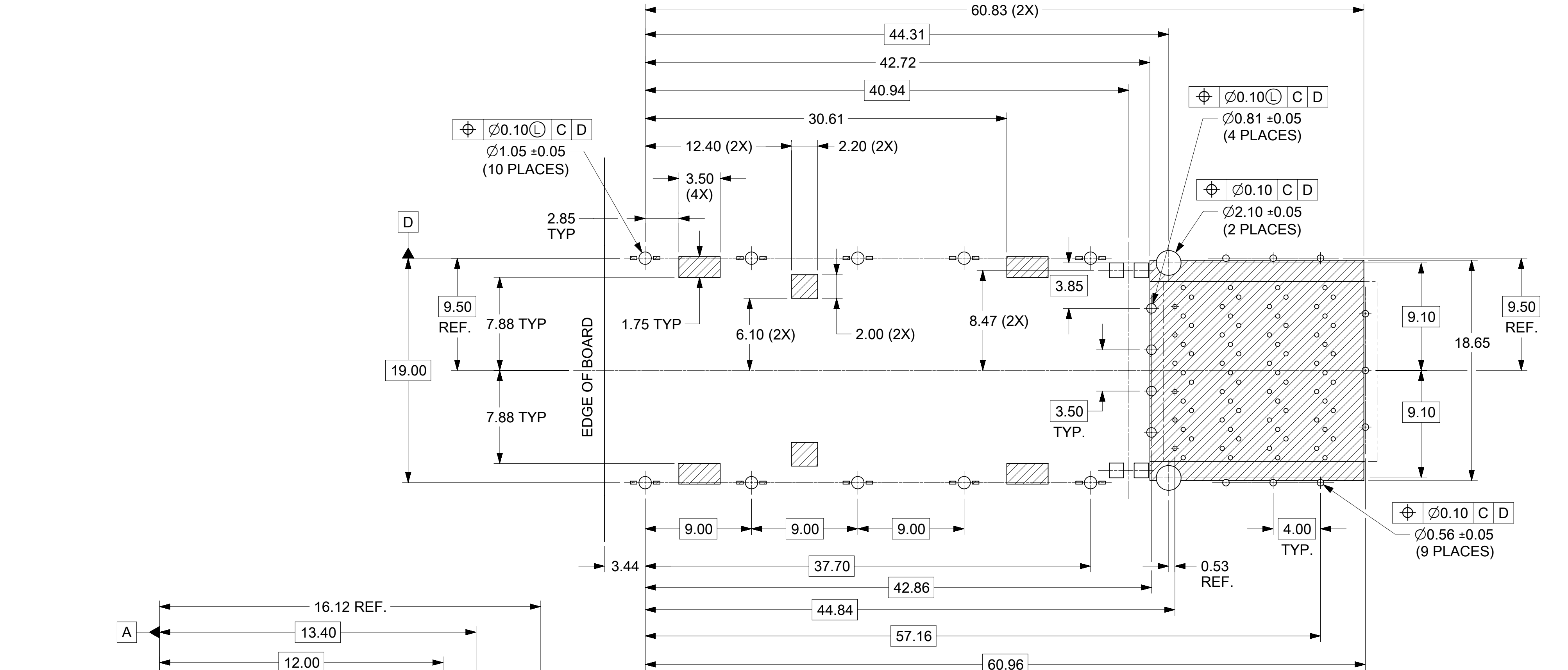


RECOMMENDED PANEL OPENING LOCATION FROM TOP OF PCB

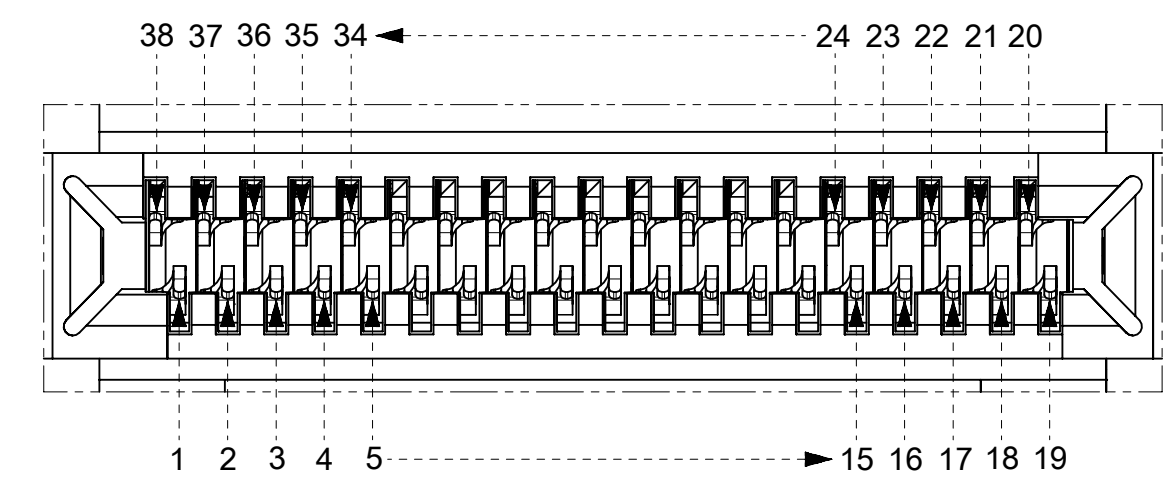
NOTES:

1. THE ENTIRE AREA UNDER THE CONNECTOR IS A KEEP OUT ZONE FOR COMPONENTS AND TRACES, TOP LAYER ONLY, EXCEPT FOR CHASSIS GROUND.
2. CROSS-HATCHED AREAS INDICATE PLACES WHERE THE PLASTIC HOUSING AND METAL CAGE MAY CONTACT PCB SURFACE. THESE AREAS ARE KEEP OUT ZONES. CROSS-HATCHED AREA UNDER THE CONNECTOR ARE TRACE AND VIA KEEP OUT AREAS FOR ALL LAYERS.
3. LED KEEP-IN ZONE DEFINES THE PHYSICAL SPACE ALLOWED FOR PLACEMENT OF SMD CHIP STYLE LED PACKAGING. KEEP-IN ZONE EXTENDS VERTICALLY TO 0.80mm ABOVE THE TOP SIDE OF BOARD.

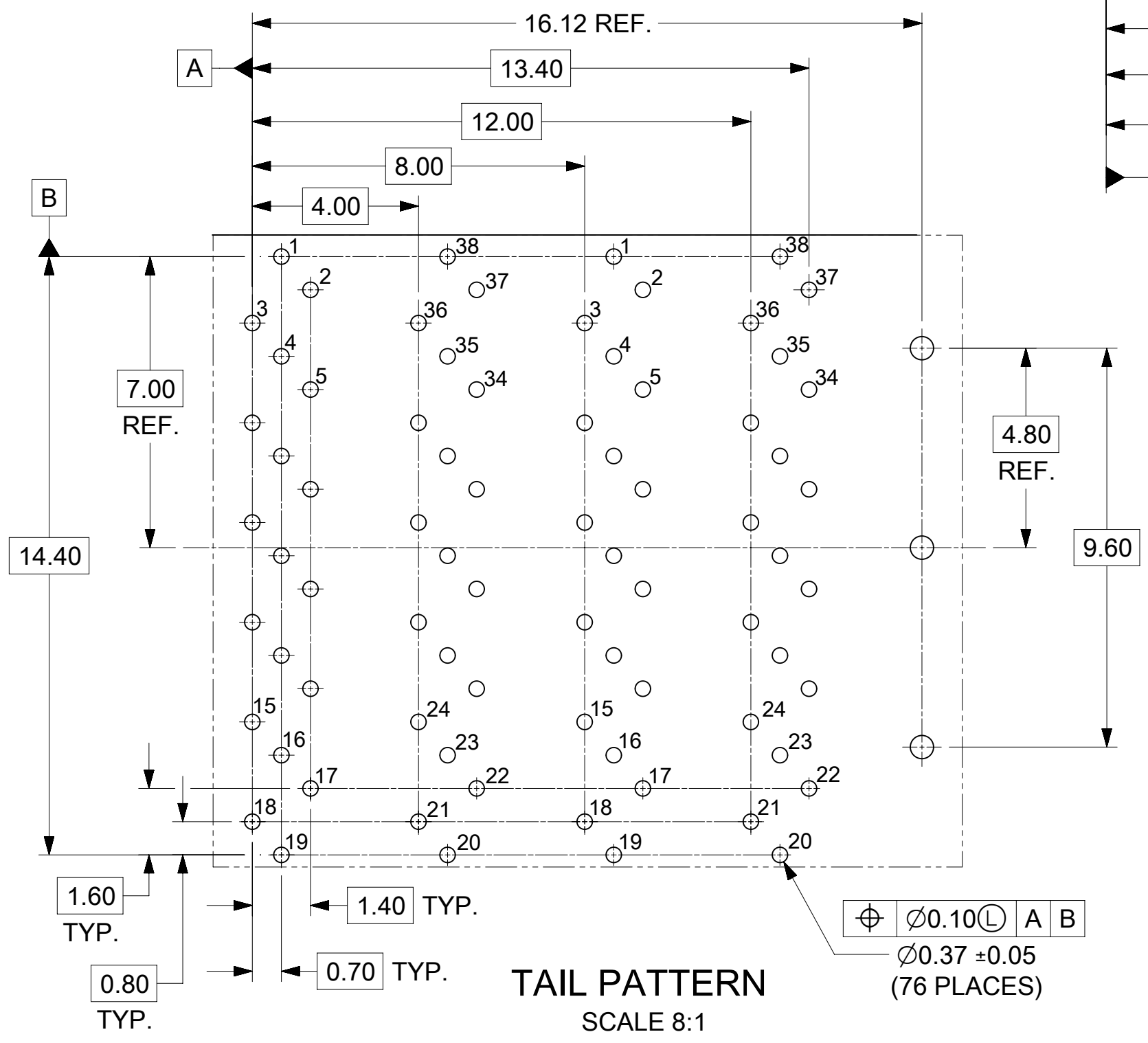
THIS DRAWING CONTAINS INFORMATION THAT IS PROPRIETARY TO MOLEX ELECTRONIC TECHNOLOGIES, LLC AND SHOULD NOT BE USED WITHOUT WRITTEN PERMISSION											
DIMENSION UNITS MM		SCALE 3:1		CURRENT REV DESC: OBSOLETE PART NUMBER AS PER #508521				molex		ZQSFP 2X1 SPRING FINGER STANDARD LENGTH TMC LOW PROFILE ASSEMBLY	
GENERAL TOLERANCES (UNLESS SPECIFIED)		MM	INCH	EC NO: 667392		2021/04/29					
4 PLACES	±			DRWN: ABHISP1		2021/07/05		PRODUCT CUSTOMER DRAWING			
3 PLACES	±			CHK'D: GGA		2021/07/05					
2 PLACES	±	0.13		APPR: GGA		2021/07/05		DOCUMENT NUMBER SD-170879-4000			
1 PLACE	±	0.25		INITIAL REVISION:							DOC TYPE
0 PLACES	±			DRWN: HAVERY		2014/11/06		PSD	001	A1	
ANGULAR TOL ± 0.5 °		THIRD ANGLE PROJECTION		APPR: HAVERY		2014/11/06		MATERIAL NUMBER	CUSTOMER	SHEET NUMBER	
DRAFT WHERE APPLICABLE MUST REMAIN WITHIN DIMENSIONS		DRAWING		SERIES		SEE TABLE		GENERAL MARKET		3 OF 5	



RECOMMENDED PCB LAYOUT - COMPONENT SIDE SHOWN
 CROSS-HATCH AREAS INDICATE KEEP-OUT ZONES



PIN-OUT TYPICAL FOR BOTH PORTS
 SCALE 8:1



TAIL PATTERN
 SCALE 8:1

THIS DRAWING CONTAINS INFORMATION THAT IS PROPRIETARY TO MOLEX ELECTRONIC TECHNOLOGIES, LLC AND SHOULD NOT BE USED WITHOUT WRITTEN PERMISSION									
DIMENSION UNITS MM		SCALE 4:1		CURRENT REV DESC: OBSOLETE PART NUMBER AS PER #508521					
GENERAL TOLERANCES (UNLESS SPECIFIED)				EC NO: 667392		2021/04/29		molex	
4 PLACES ±		±		DRWN: ABHISP1		2021/07/05			
3 PLACES ±		±		CHK'D: GGA		2021/07/05		ZQSFP 2X1 SPRING FINGER STANDARD LENGTH TMC LOW PROFILE ASSEMBLY	
2 PLACES ±		0.13 ±		APPR: GGA		2021/07/05		PRODUCT CUSTOMER DRAWING	
1 PLACE ±		0.25 ±		INITIAL REVISION:				DOCUMENT NUMBER	
0 PLACES ±		±		DRWN: HAVERY		2014/11/06		SD-170879-4000	
ANGULAR TOL ±		0.5 °		APPR: HAVERY		2014/11/06		DOC TYPE DOC PART REVISION	
DRAFT WHERE APPLICABLE MUST REMAIN WITHIN DIMENSIONS				THIRD ANGLE PROJECTION		DRAWING SERIES		MATERIAL NUMBER CUSTOMER SHEET NUMBER	
				C-SIZE		170879		SEE TABLE GENERAL MARKET 4 OF 5	

H
G
F
E
D
C
B
A

H
G
F
E
D
C
B
A

REVISION HISTORY		
DATE	REV.	DESCRIPTION
2019/02/15	A	1.REMASTERED FROM SD-170879-4000 REV.3 FROM MM INTO ECTR. 2.ADDED REVISION HISTORY 3.UPDATE PK SPEC TO PK-171233-0001 IN NOTE3, SHEET1.
		4.UPDATE NOTE2 FOR PLATING THICKNESS, SHEET1. 5.UPDATE KEEP-OUT ZONE AND VERBIAGE IN NOTE 1&2, SHEET3.
		6.UPDATE NOTE8, SHEET1 FOR DATE CODE FORMAT TO LDDYX, WAS DDDY.
2021/04/21	A1	1.OBSOLETED PART NUMBER 1708794003

THIS DRAWING CONTAINS INFORMATION THAT IS PROPRIETARY TO MOLEX ELECTRONIC TECHNOLOGIES, LLC AND SHOULD NOT BE USED WITHOUT WRITTEN PERMISSION									
DIMENSION UNITS	SCALE	CURRENT REV DESC: OBSOLETED PART NUMBER AS PER #508521			molex				
mm	1:1								
GENERAL TOLERANCES (UNLESS SPECIFIED)					ZQSFP 2X1 SPRING FINGER STANDARD LENGTH TMC LOW PROFILE ASSEMBLY				
ANGULAR TOL	± 0.5°	EC NO: 667392			PRODUCT CUSTOMER DRAWING				
4 PLACES	±	DRWN: ABHISP1 2021/04/29			DOCUMENT NUMBER SD-170879-4000 DOC TYPE PSD DOC PART 001 REVISION A1				
3 PLACES	±	CHK'D: GGA 2021/07/05							
2 PLACES	± 0.13	APPR: GGA 2021/07/05							
1 PLACE	± 0.25	INITIAL REVISION:			MATERIAL NUMBER SEE TABLE CUSTOMER GENERAL MARKET SHEET NUMBER 5 OF 5				
0 PLACES	±	DRWN: HAVERY 2014/11/06 APPR: HAVERY 2014/11/06							
DRAFT WHERE APPLICABLE MUST REMAIN WITHIN DIMENSIONS		THIRD ANGLE PROJECTION	DRAWING	SERIES					
			C-SIZE	170879					

DOCUMENT STATUS	P1	RELEASE DATE	2021/07/05 08:39:53
-----------------	----	--------------	---------------------

FORMATS: moxletr © 2008-C
REVISION: J
DATE: 2020/1/14