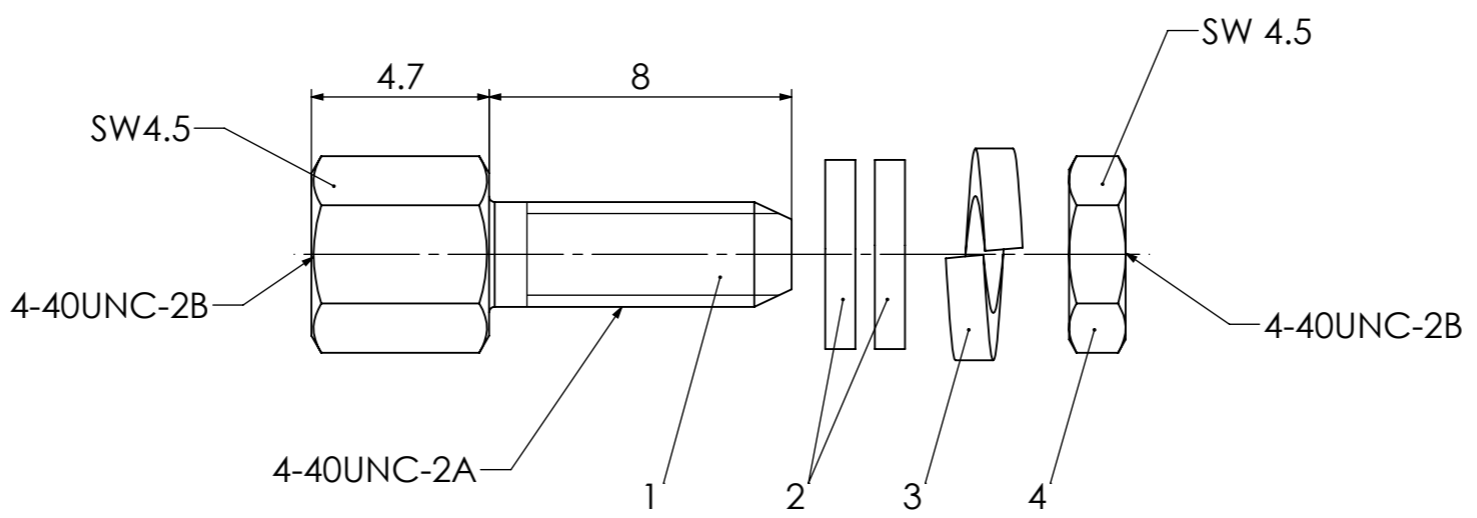


1	2	3	4	5	6	7	8		
MATERIAL NO.	Part No.	Material	Surface	1 Screw (quantity)	2 Washer (quantity)	3 Spring washer (quantity)	4 Nut (quantity)	Package	Notice
1731120014	F-GSCH1/5	Steel	zinc plated	2	4	2	2	in pairs	packed together in a bag
1727040093	F-GSCH1/5SN		tin plated	2	4	2	2	in pairs	packed together in a bag
1731121006	F-GSCH1/5S		zinc plated	max. 5000	max. 10000	max. 5000	max. 5000	bulk packed	individually packed in bags
1731120416	F-GSCH1/5SSN		tin plated	max. 5000	max. 10000	max. 5000	max. 5000	bulk packed	individually packed in bags
1731121042	F-GSCH1/5-K320		zinc plated	max. 5000	-	-	-	bulk packed	
1731120291	F-GSCH1/5-K320SN		tin plated	max. 5000	-	-	-	bulk packed	
1731121184	F-GSCH1/5-K660		zinc plated	max. 5000	-	max. 5000	-	bulk packed	individually packed in bags
1731120593	F-GSCH1/5-K1074		zinc plated	500	500	500	500	bulk packed	individually packed in bags



RoHS compliant
by exemption

COMMENT: ALL RIGHTS ARE RESERVED BY US FOR THIS DRAWING. WITHOUT OUR PRIOR CONSENT, IT MAY NEITHER BE DUPLICATED NOR MADE AVAILABLE TO A THIRD PARTY. AND IT ALSO MAY NOT BE IMPROPERLY USED BY THE RECEIVER, OR A THIRD PARTY.

THIS DRAWING CONTAINS INFORMATION THAT IS PROPRIETARY TO MOLEX ELECTRONIC TECHNOLOGIES, LLC AND SHOULD NOT BE USED WITHOUT WRITTEN PERMISSION									
SYMBOLS		DIMENSION UNITS		SCALE		MEASUREMENTS WITHOUT TOLERANCE ACC. TO			
$\nabla_F = 0$ $\nabla_C = 0$ $\nabla_P = 0$ $\nabla_S = 0$ $\nabla = 0$ $\nabla_C = 0$ $\boxtimes = 0$ $\blacksquare = 0$ $\nabla = 0$		mm		2:1		ISO 2768-m			
CURRENT REVISION						PRODUCT CUSTOMER DRAWING			
DRWN: DRAWN BY MTeubel 15-02-2019						FCT-Female Screw Lock 4-40/4-40			
APPR: APPR BY gkrimshandl 18-02-2019									
INITIAL REVISION						MATERIAL NUMBER			
DRWN: DRAWN BY sschref 19-09-2012						see table			
APPR: APPR BY jmairose 27-04-2015						REVISION			
REV. CH.-NO.						2			
REPLACEMENT FOR:				THIRD ANGLE PROJECTION		DRAWING		DOCUMENT NUMBER	
						A3-SIZE		F-GSCH	
CUSTOMER								SHEET NUMBER	
GENERAL MARKET								1 OF 1	