

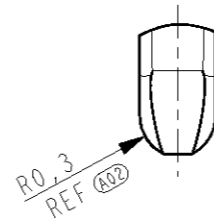
THIS DRAWING IS UNPUBLISHED. RELEASED FOR PUBLICATION

© COPYRIGHT - BY - ALL RIGHTS RESERVED.

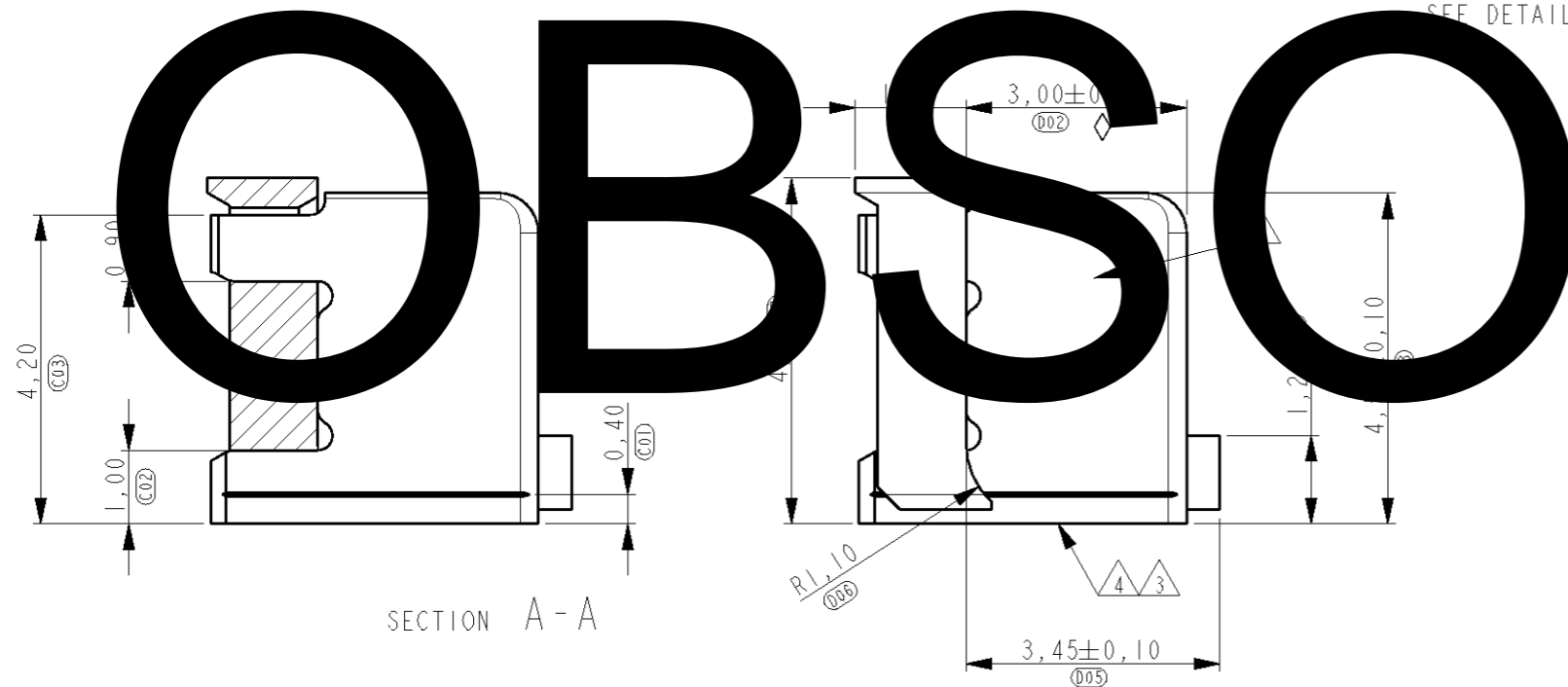
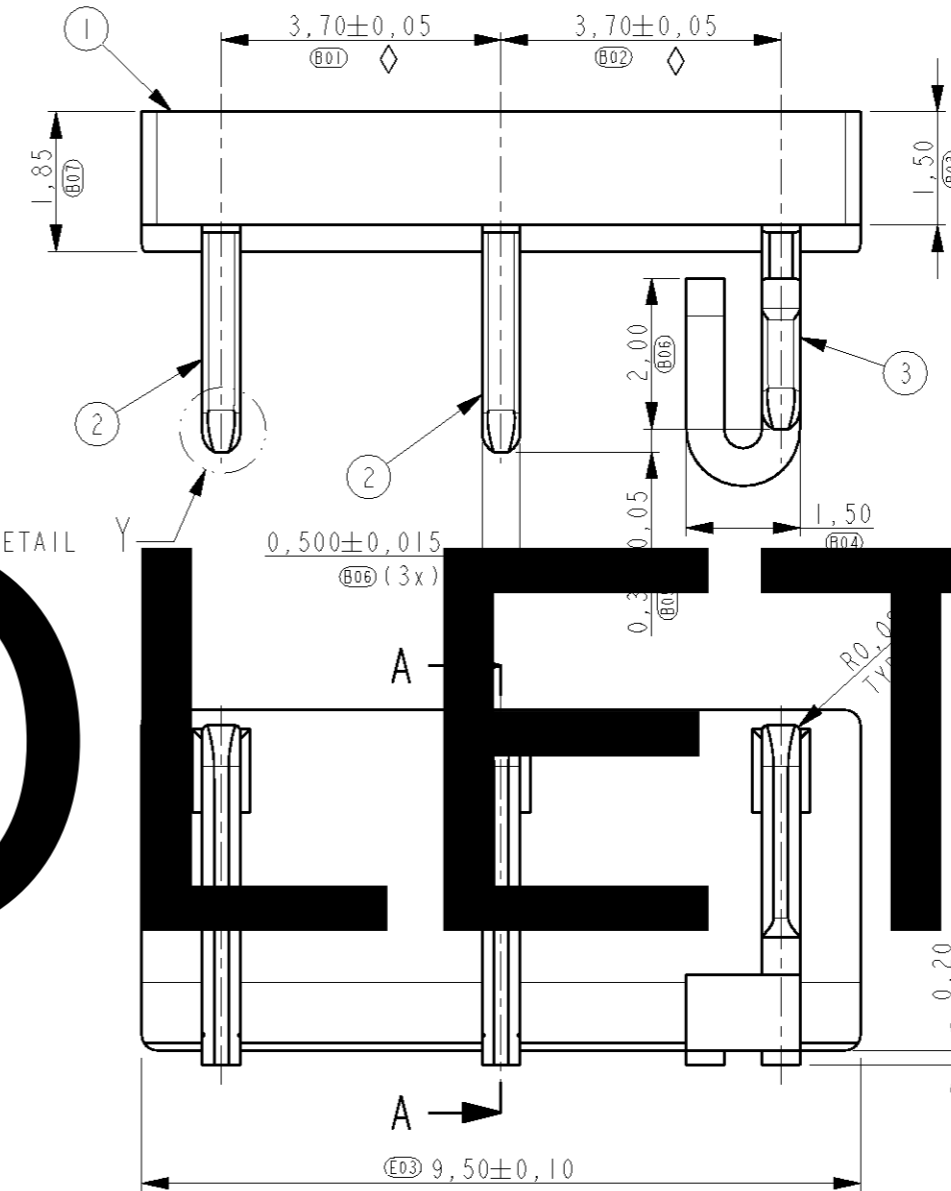
| LOC | DIST | REVISIONS |     |               |           |     |      |
|-----|------|-----------|-----|---------------|-----------|-----|------|
|     |      | P         | LTR | DESCRIPTION   | DATE      | DWN | APVD |
| H   | -    |           | A   | ECR-11-018091 | 09SEP2011 | PW  | DH   |
|     |      |           | A1  | OBSOLETE      | 12OCT2019 | K.G | W.H  |

NOTES:

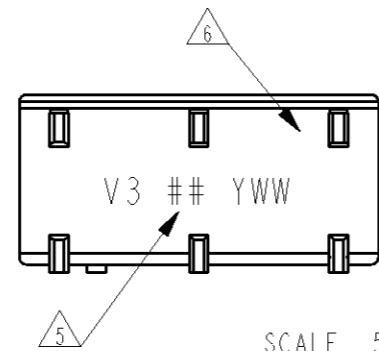
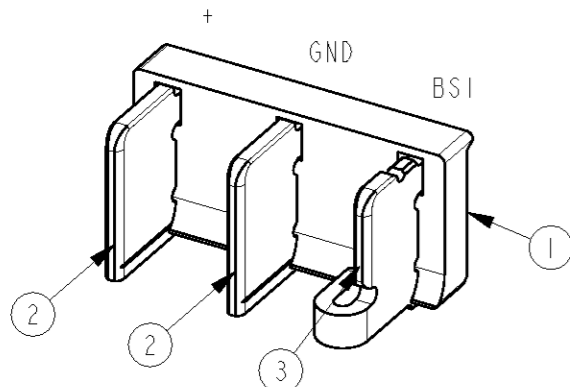
- 1 DRAWING REPRESENTS PART VERSION "V3".
- 2 TE PN 2-1551487-0, NMP CODE 54699K4.
- ◇ 3 PLATING:  
1,2µm MIN. NICKEL ALL OVER  
0,8µm MIN. GOLD ON CONTACT AREA  
0,1 - 0,3µm GOLD ON SOLDER AREA
- ◇ 4 COPLANARITY OF SOLDER SURFACES 0,08 MAX.
- ◇ 5 MARKING: VERSION (V3), PROCESS ID (##),  
PRODUCTION DATE (YWW, YEAR AND WEEK).
- ◇ 6 MARKING: CAVITY ID.



DETAIL Y (FOR REFERENCE ONLY) SCALE 20:1



SECTION A-A



| 3        | CONTACT, FIRST BREAK | COPPER ALLOY | GOLD PLATED |
|----------|----------------------|--------------|-------------|
| 2        | CONTACT, LAST BREAK  | COPPER ALLOY | GOLD PLATED |
| 1        | HOUSING              | PLASTIC, GF  | -           |
| ITEM NO. | DESCRIPTION          | MATERIAL     | FINISH      |

THIS DRAWING IS A CONTROLLED DOCUMENT.

|                  |                |           |
|------------------|----------------|-----------|
| DWN              | P. Willems     | 03DEC2009 |
| CHK              | M. Gosselink   | 03DEC2009 |
| APVD             | D. Halberstadt | 03DEC2009 |
| PRODUCT SPEC     | 108-19276      |           |
| APPLICATION SPEC | 114-19088      |           |
| WEIGHT           | 298 mg         |           |

**STE** TE Connectivity

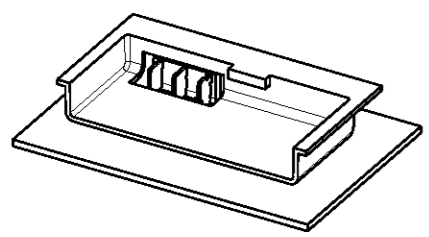
NAME: PLUG CONNECTOR 3 POSITION BATTERY BLOCK

|      |    |           |       |            |           |               |   |
|------|----|-----------|-------|------------|-----------|---------------|---|
| SIZE | A3 | CAGE CODE | 00779 | DRAWING NO | C=1551487 | RESTRICTED TO | - |
|------|----|-----------|-------|------------|-----------|---------------|---|

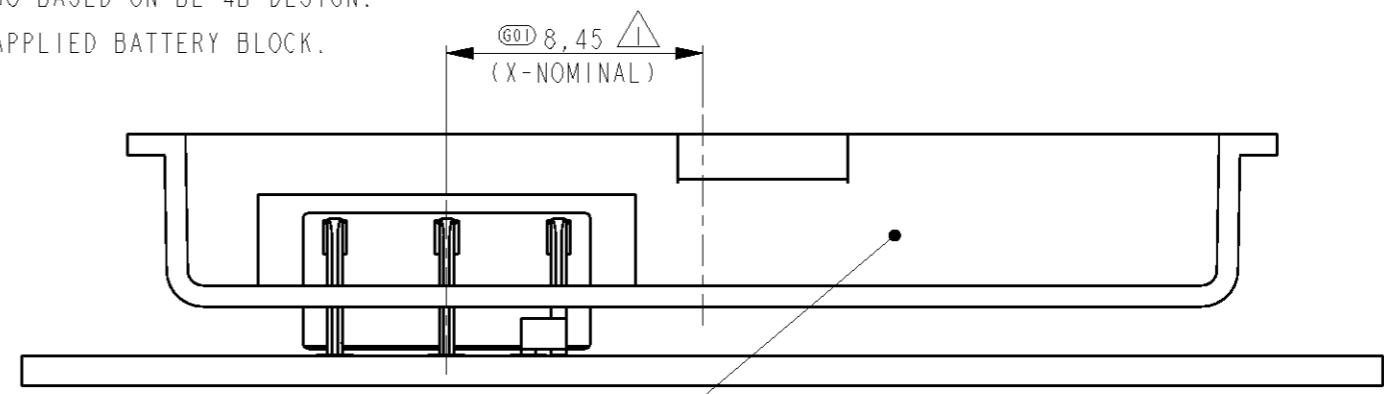
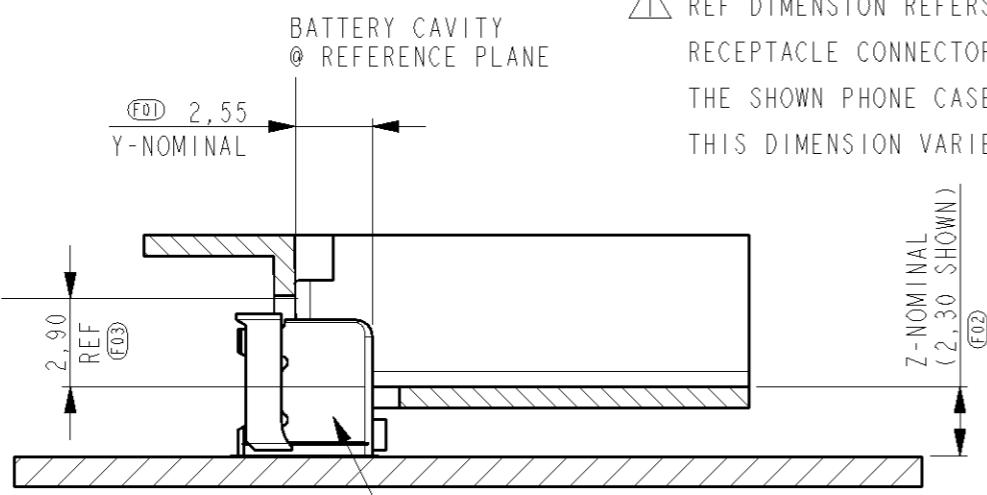
CUSTOMER DRAWING SCALE 10:1 SHEET 1 OF 4 REV A1

THIS DRAWING IS UNPUBLISHED. RELEASED FOR PUBLICATION  
 © COPYRIGHT - BY - ALL RIGHTS RESERVED.

| LOC | DIST | REVISIONS   |             |     |      |
|-----|------|-------------|-------------|-----|------|
| P   | LTR  | DESCRIPTION | DATE        | DWN | APVD |
| H   | -    | -           | SEE SHEET 1 | -   | -    |



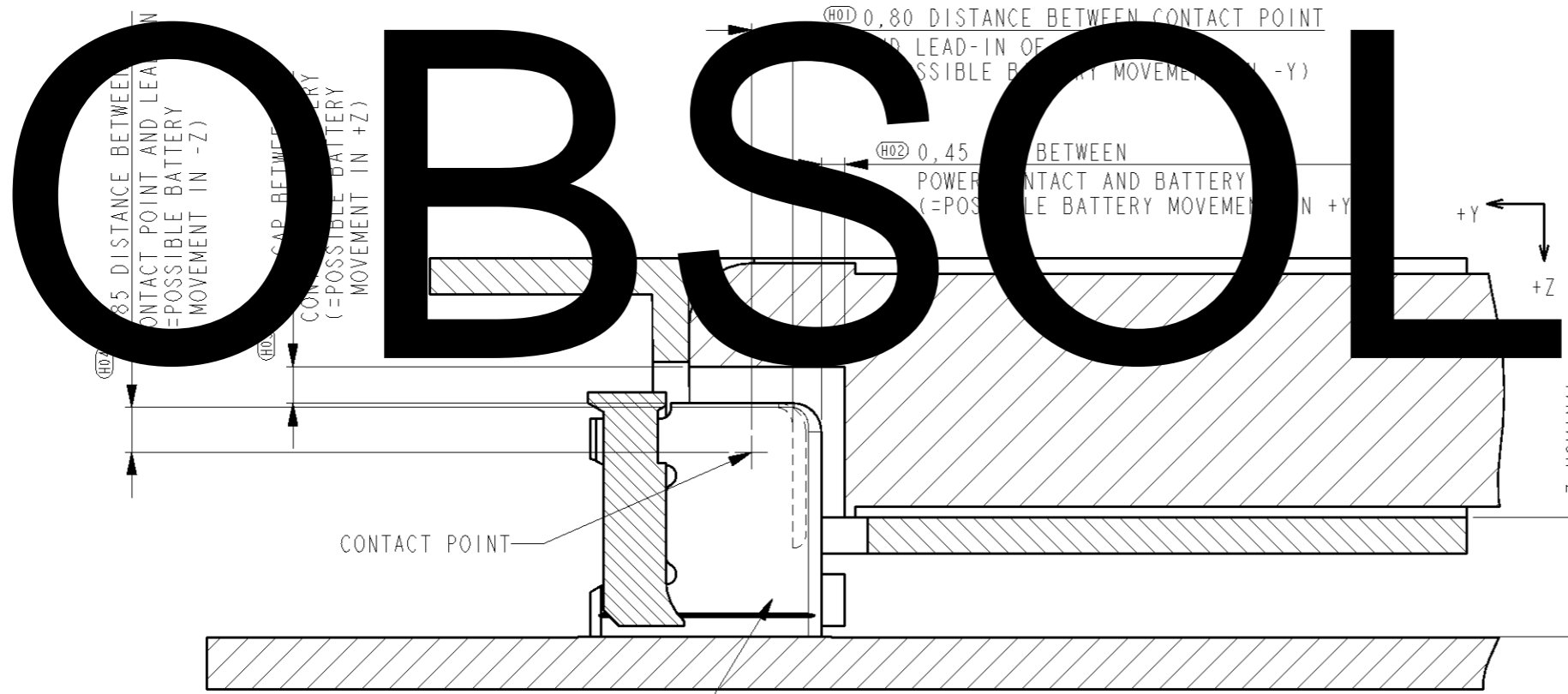
NOTES:  
 REF DIMENSION REFERS TO DIMENSION B05 FROM BL-4B RECEPTACLE CONNECTOR 1705714-1.  
 THE SHOWN PHONE CASE IS ALSO BASED ON BL-4B DESIGN.  
 THIS DIMENSION VARIES PER APPLIED BATTERY BLOCK.



CONNECTOR POSITIONING

2-1551487-0 SHOWN

PHONE CASE SHOWN AS PER BL-4B DESIGN



WORKING RANGE:  
 (PERMITTED BATTERY MOVEMENT)  
 IN X-DIRECTION ±0,50 SYMMETRICAL  
 IN Y-DIRECTION 1,25 TOTAL  
 IN -Y-DIRECTION 0,80  
 (BATTERY LENGTH TO CONTACTANCE, PHONE CASE TOLERANCE, PHONE FLEXIBILITY)  
 IN +Y-DIRECTION 0,45  
 (ASSEMBLY TOLERANCE, PHONE FLEXIBILITY)  
 IN Z-DIRECTION 1,55 TOTAL  
 IN -Z-DIRECTION 0,85  
 (BATTERY FRONT TOLERANCE, PHONE CASE TOLERANCE, PHONE FLEXIBILITY)  
 IN +Z-DIRECTION 0,70  
 (PHONE CASE TOLERANCE, PHONE FLEXIBILITY)  
 THESE VALUES APPLY IF Z-NOMINAL IS IN THE CENTER OF THE RANGE SPECIFIED FOR THE PLUG (AS SHOWN HERE).

WORKING RANGE

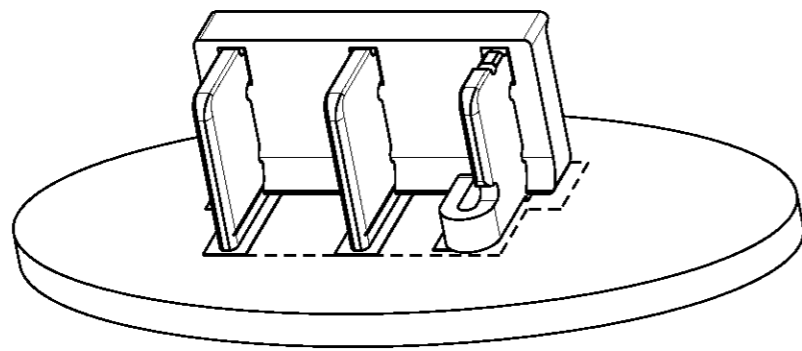
SCALE 8:1

| PART NUMBER | Z-NOMINAL RANGE  |
|-------------|------------------|
| 2-1551487-0 | >2,0 (2,1 - 2,5) |

|  |  |                              |  |                 |  |
|--|--|------------------------------|--|-----------------|--|
| THIS DRAWING IS A CONTROLLED DOCUMENT. |  | DWN P.Willems 03DEC2009      |  | TE Connectivity |  |
| DIMENSIONS: mm                         |  | CHK M.Gosselink 03DEC2009    |  |                 |  |
| TOLERANCES UNLESS OTHERWISE SPECIFIED: |  | APVD D.Halberstadt 03DEC2009 |  | NAME            |  |
| 0 PLC ±-                               |  | PRODUCT SPEC                 |  | PLUG CONNECTOR  |  |
| 1 PLC ±0,2                             |  | 108-19276                    |  | 3 POSITION      |  |
| 2 PLC ±0,1                             |  | APPLICATION SPEC             |  | BATTERY BLOCK   |  |
| 3 PLC ±-                               |  | 114-19088                    |  | SIZE            |  |
| 4 PLC ±-                               |  | WEIGHT 298 mg                |  | CAGE CODE       |  |
| ANGLES ±-                              |  | CUSTOMER DRAWING             |  | DRAWING NO      |  |
| FINISH -                               |  | SCALE 10:1                   |  | RESTRICTED TO   |  |
|  |  | SHEET 2 OF 4                 |  | REV A1          |  |

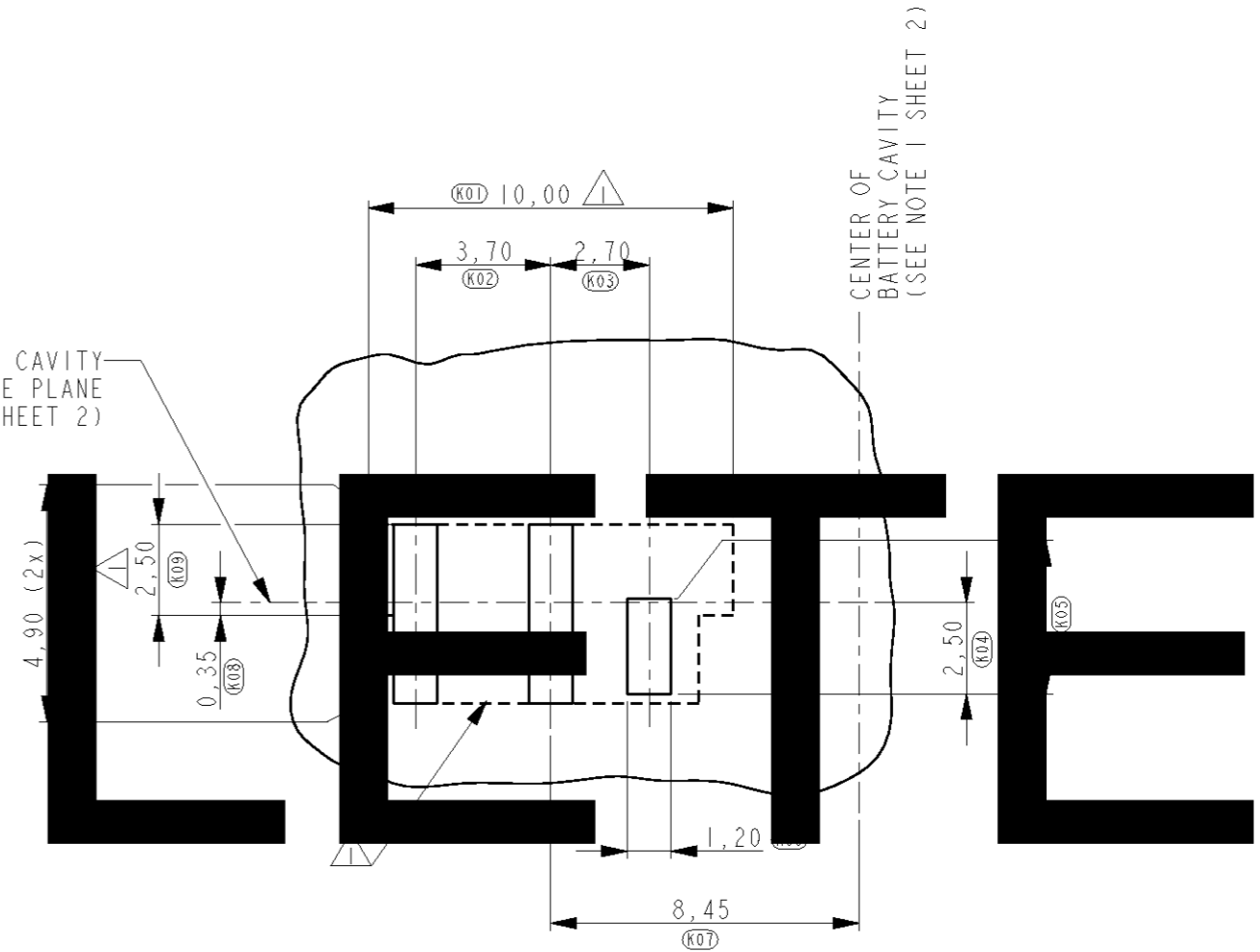
THIS DRAWING IS UNPUBLISHED.      RELEASED FOR PUBLICATION  
 © COPYRIGHT -      BY -      ALL RIGHTS RESERVED.

| LOC | DIST | REVISIONS   |      |     |      |
|-----|------|-------------|------|-----|------|
| P   | LTR  | DESCRIPTION | DATE | DWN | APVD |
| H   | -    | SEE SHEET 1 | -    | -   | -    |
|     |      |             |      |     |      |
|     |      |             |      |     |      |



# OBSOLETE

BATTERY CAVITY  
REFERENCE PLANE  
(SEE SHEET 2)



NOTES:

△ AREA FREE OF SOLDER SCREEN.

|   |             |                                     |   |                    |
|---|-------------|-------------------------------------|---|--------------------|
| THIS DRAWING IS A CONTROLLED DOCUMENT.                                    |             | DWN<br>P. Willems<br>03DEC2009      | TE Connectivity                                       |                    |
| DIMENSIONS:<br>mm   |             | CHK<br>M. Gosselink<br>03DEC2009    |   |                    |
| TOLERANCES UNLESS OTHERWISE SPECIFIED:                                    |             | APVD<br>D. Halberstadt<br>03DEC2009 | NAME<br>PLUG CONNECTOR<br>3 POSITION<br>BATTERY BLOCK |                    |
| 0 PLC ±-<br>1 PLC ±0,2<br>2 PLC ±0,1<br>3 PLC ±-<br>4 PLC ±-<br>ANGLES ±- |             | PRODUCT SPEC<br>108-19276           | SIZE<br>A3  | CAGE CODE<br>00779 |
| MATERIAL<br>-   | FINISH<br>- | APPLICATION SPEC<br>114-19088       | DRAWING NO<br>C=1551487                               | RESTRICTED TO<br>- |
|   |             | WEIGHT<br>298 mg                    |   |                    |
|   |             | CUSTOMER DRAWING                    | SCALE<br>10:1   | SHEET<br>3 OF 4    |
|   |             |                                     |   | REV<br>A1          |

THIS DRAWING IS UNPUBLISHED.

RELEASED FOR PUBLICATION

© COPYRIGHT - BY -

ALL RIGHTS RESERVED.

LOC  
H

DIST  
-

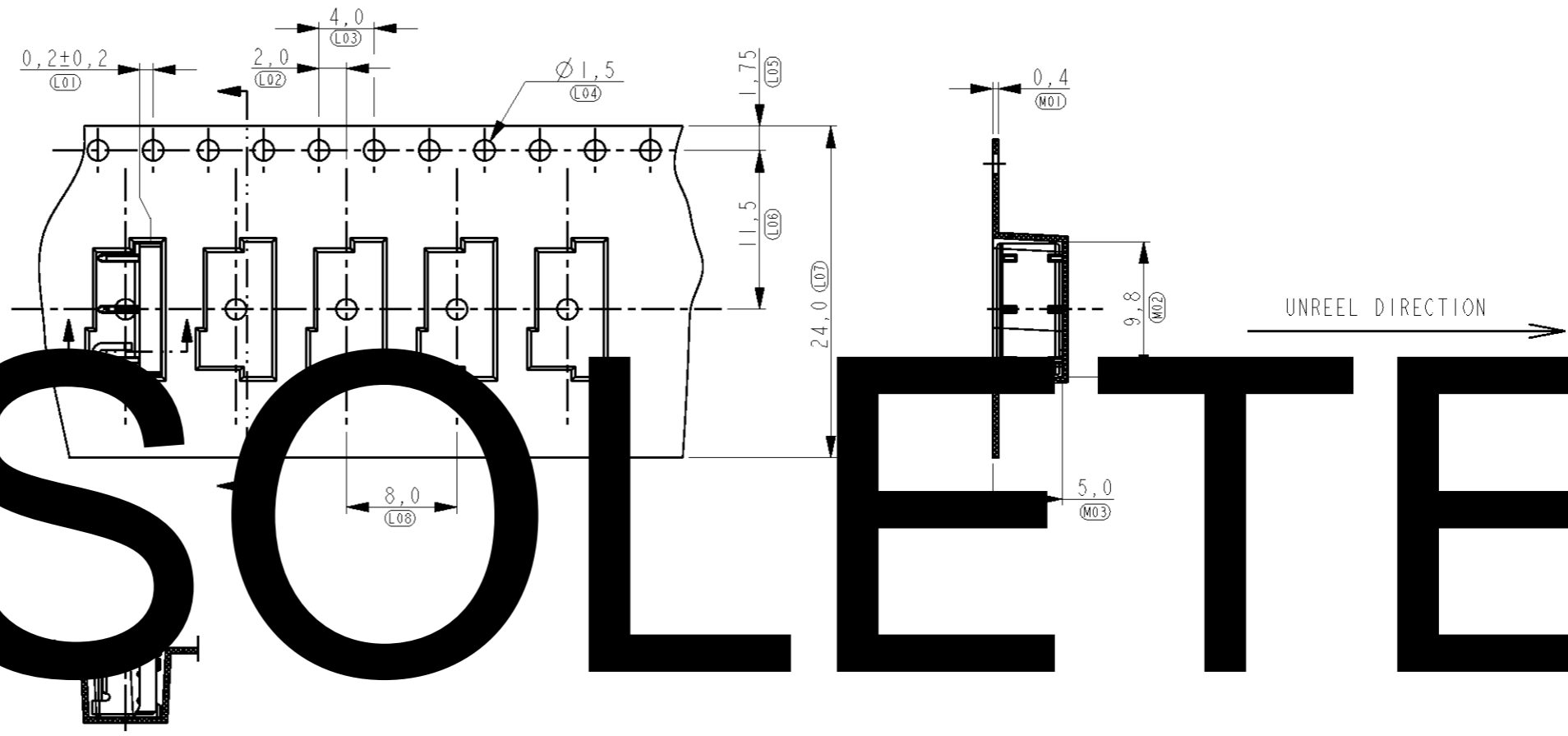
REVISIONS

| P | LTR | DESCRIPTION | DATE | DWN | APVD |
|---|-----|-------------|------|-----|------|
| - | -   | SEE SHEET 1 | -    | -   | -    |


| PART NUMBER | QUANTITY PER REEL |
|-------------|-------------------|
| 2-1551587-0 | 1500              |

NOTES:

1 REEL DIMENSION: 330x101x24,4.



# OBSOLETE

|   |  |                                    |   |                    |                         |
|---|--|------------------------------------|---|--------------------|-------------------------|
| THIS DRAWING IS A CONTROLLED DOCUMENT.                                    |  | DWN<br>P.Willems<br>03DEC2009      |  TE Connectivity |                    |                         |
| DIMENSIONS:<br>mm   |  | CHK<br>M.Gosselink<br>03DEC2009    |   |                    |                         |
| TOLERANCES UNLESS OTHERWISE SPECIFIED:                                    |  | APVD<br>D.Halberstadt<br>03DEC2009 | NAME<br>PLUG CONNECTOR<br>3 POSITION<br>BATTERY BLOCK   |                    |                         |
| 0 PLC ±-<br>1 PLC ±0,2<br>2 PLC ±0,1<br>3 PLC ±-<br>4 PLC ±-<br>ANGLES ±- |  | PRODUCT SPEC<br>108-19276          | RESTRICTED TO   |                    |                         |
| MATERIAL -  |  | APPLICATION SPEC<br>114-19088      | SIZE<br>A3  | CAGE CODE<br>00779 | DRAWING NO<br>C=1551487 |
| FINISH -  |  | WEIGHT<br>298 mg                   | SCALE<br>10:1   |                    |                         |
|   |  | CUSTOMER DRAWING                   |   | SHEET<br>4 OF 4    | REV<br>A1               |