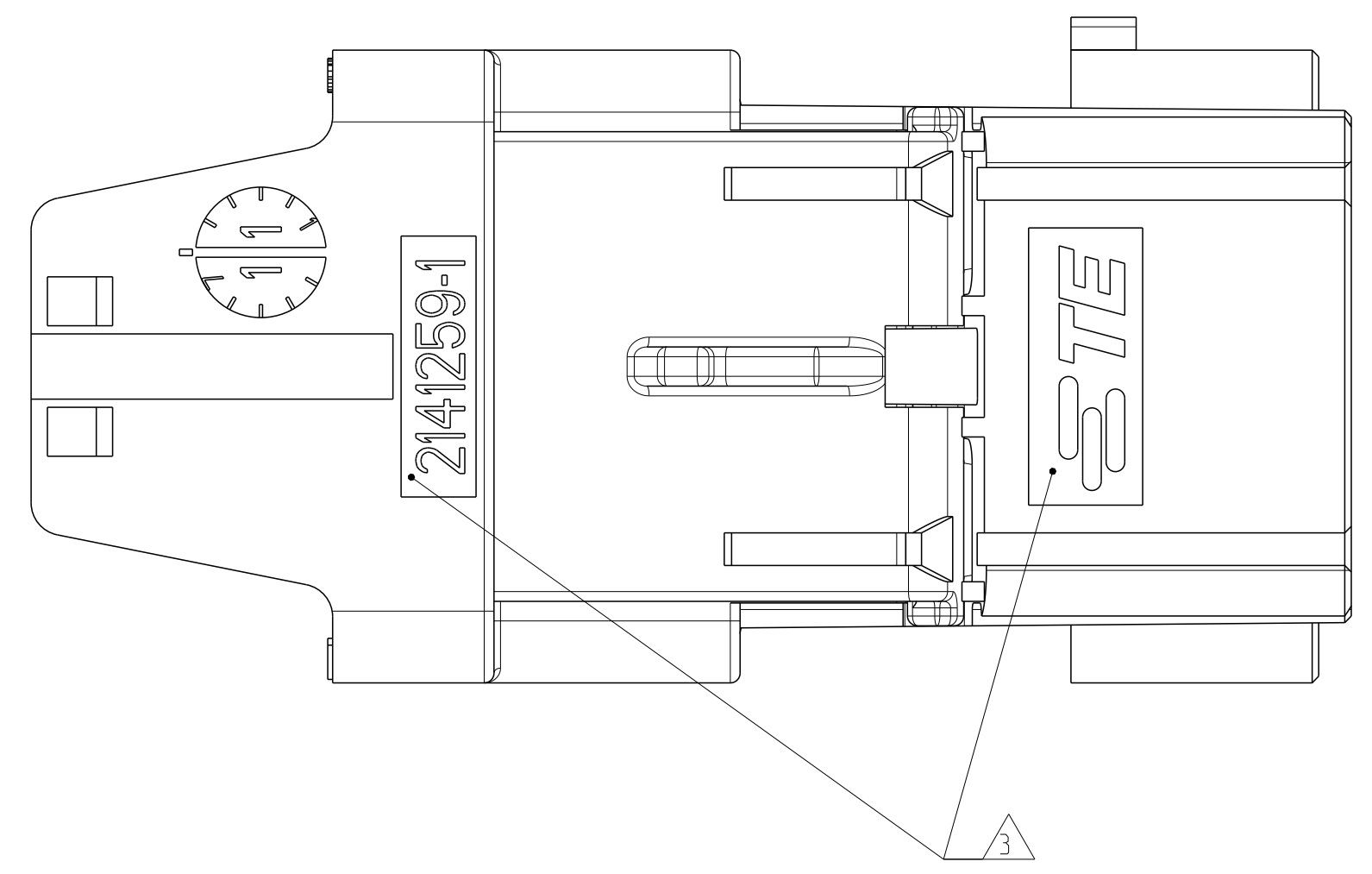
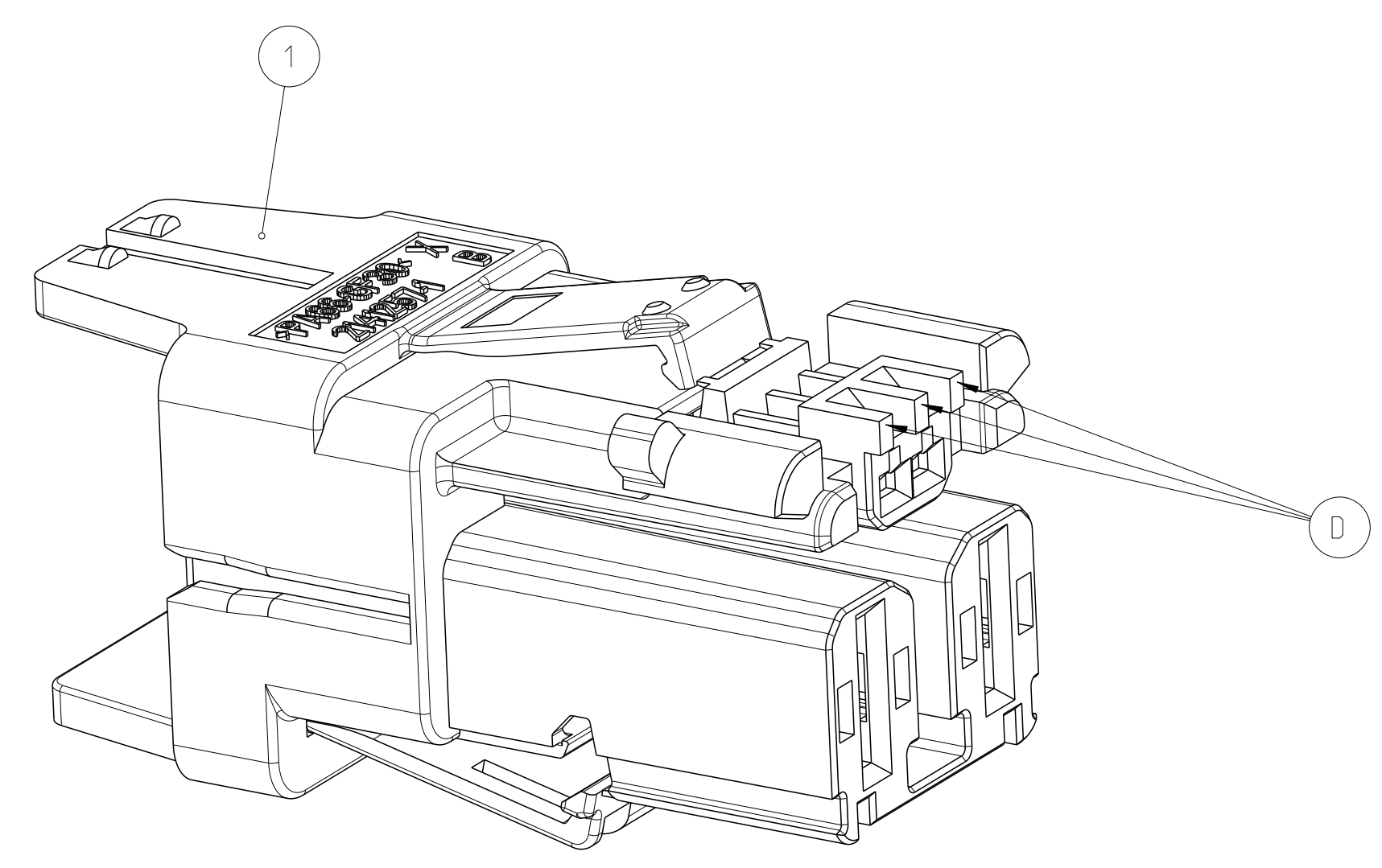
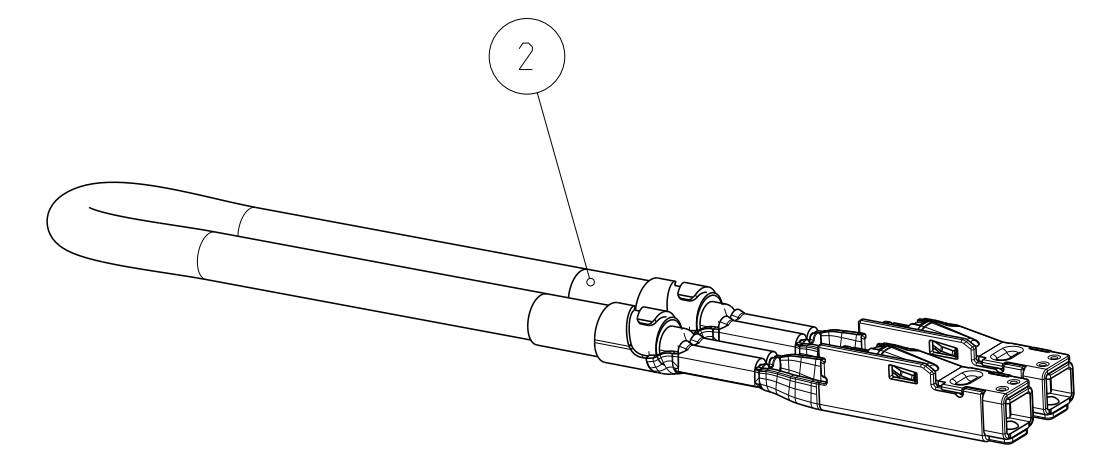
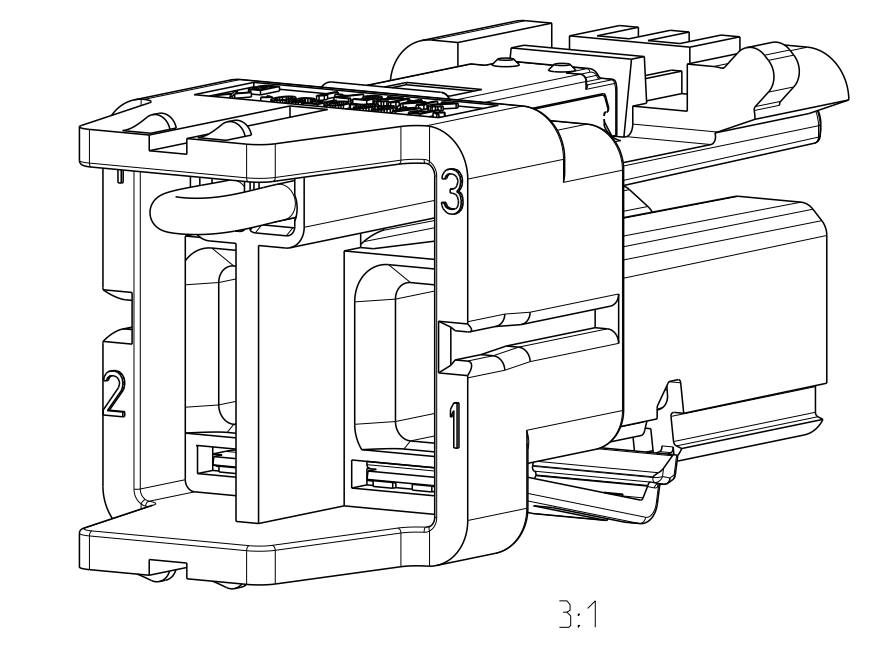
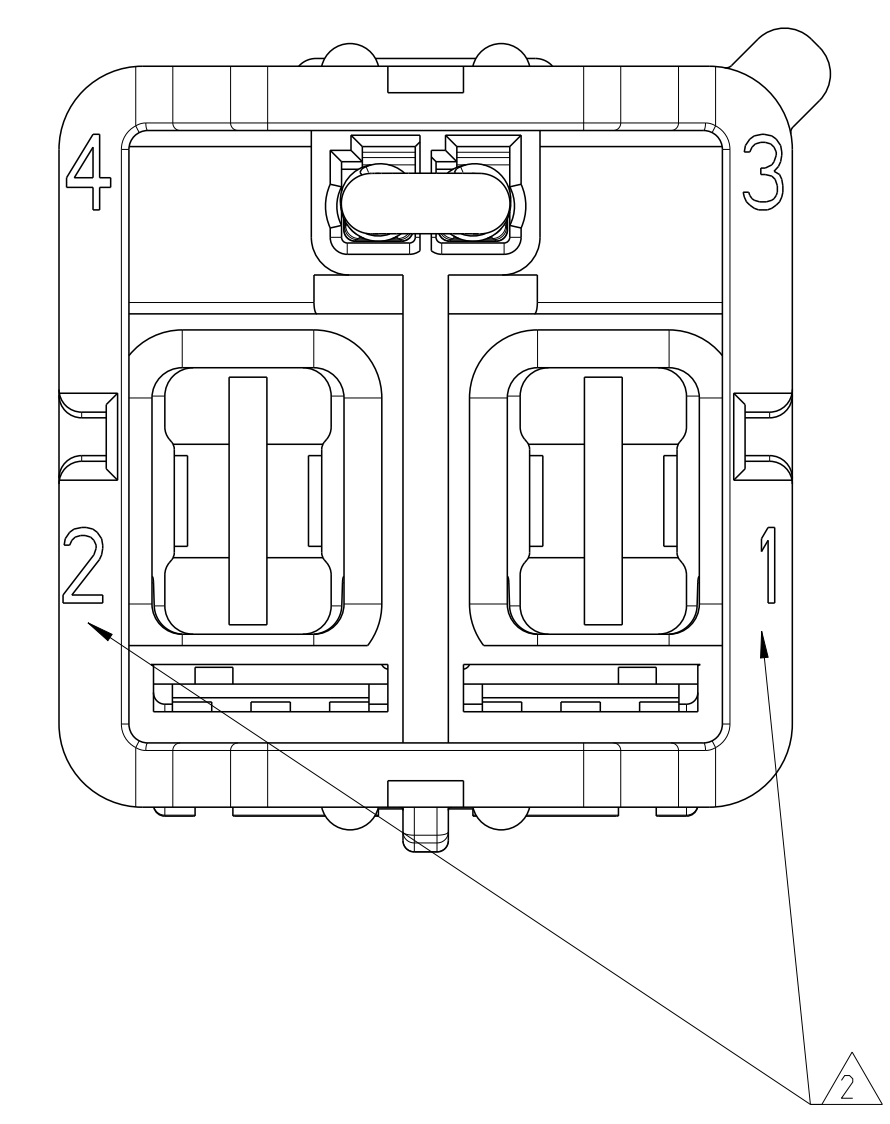
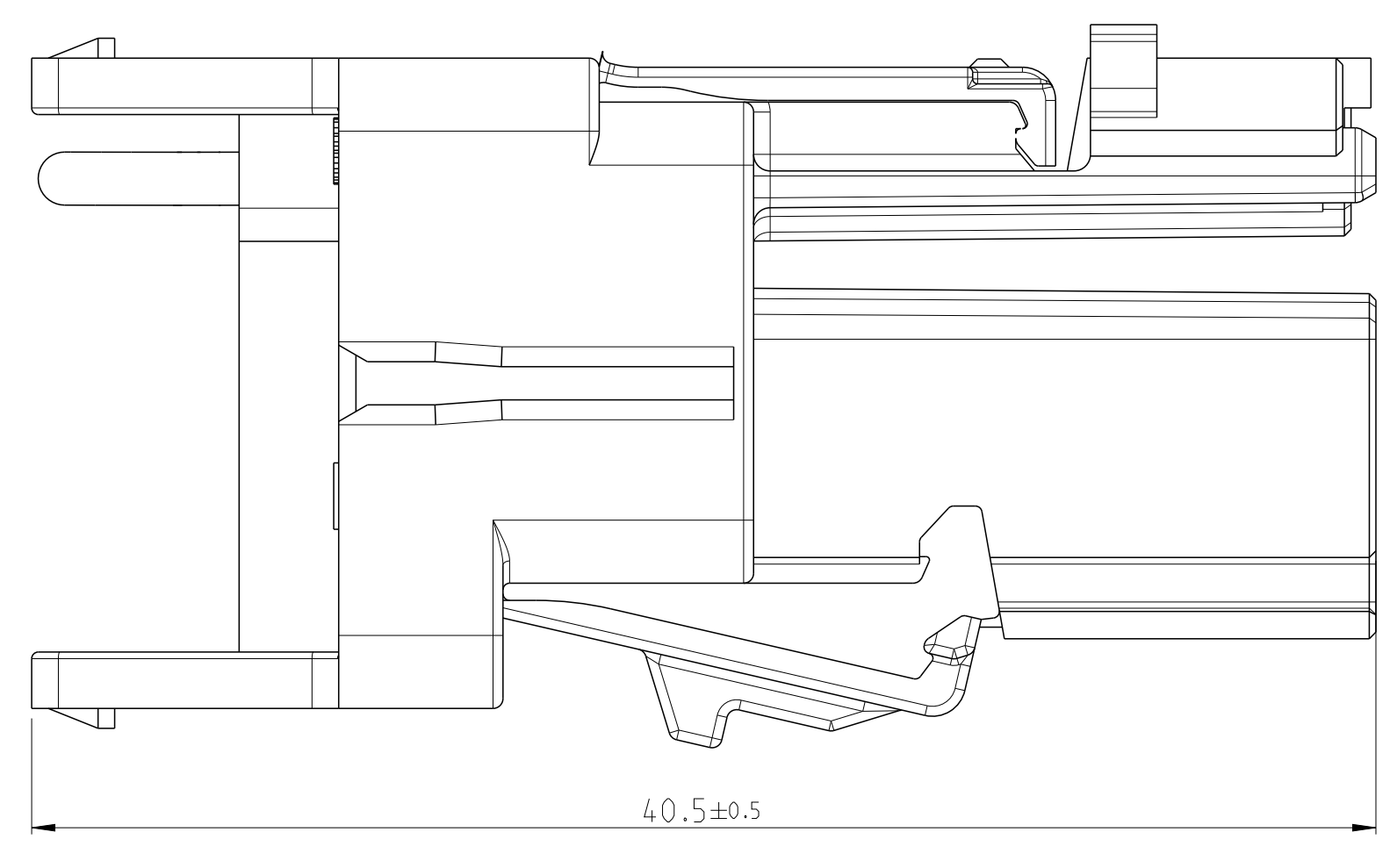
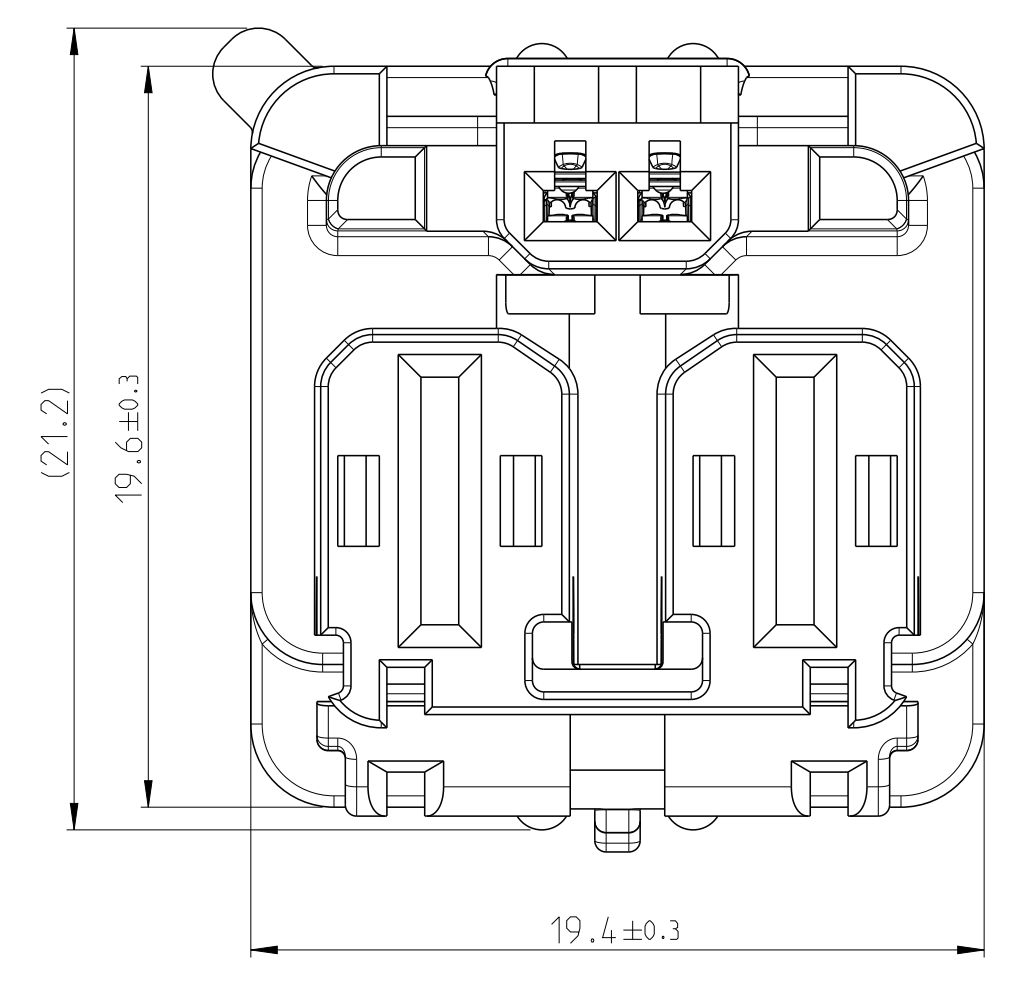


LOC	DIST	REVISIONS					
		P	LTN	DESCRIPTION	DATE	DWN	APVD
A1	-	C1	9-1	Verpackung aktualisiert	02DEC2013	RSC	AKE
		D		Abweisrippen am Insert hinzu	23FEB2015	RSC	FWI
		E		Kleinserie Blatt 2/2 OBSOLETE	13JAN2017	RSC	KKI
		F		New version of HVIL contacts	15OCT2018	TSV	VC



NOTES  
Bemerkungen

- 1 THE GERMAN TEXT IS BINDING  
Der deutsche Text ist verbindlich
- 2 CAVITY IDENTIFICATION  
Kontaktkammerkennzeichnung
- 3 PACKING: BULK MATERIAL PACKED INTO POLYETHYLENE PACKET  
Verpackung: Schüttgut in PE Beutel verpackt



NOTE Bem.	FEATURE Merkmal	TE - No.
4	ENTIRE ASSEMBLY SEE Gesamtzusammenbau siehe	114-94100-1
2	PRODUCT-SPEC. Produkt-Spez.	108-94264
3	APPLICATION-SPEC Verarbeitungs-Spez.	114-94100

DESCRIPTION - ASSY	WEIGHT (g)	TE ORDER-NO.	REV	QTY	DESCRIPTION - PART	MATERIAL	SURFACE COLOUR	ITEM
2POS. MIXED. REC HSG. ASSY	8	2141259-1	C	1	1POS. MCON-1.2 CABLE ASSY	-	-	2
				1	2POS. MIXED. REC HSG	PA66-GF30	BLACK	1

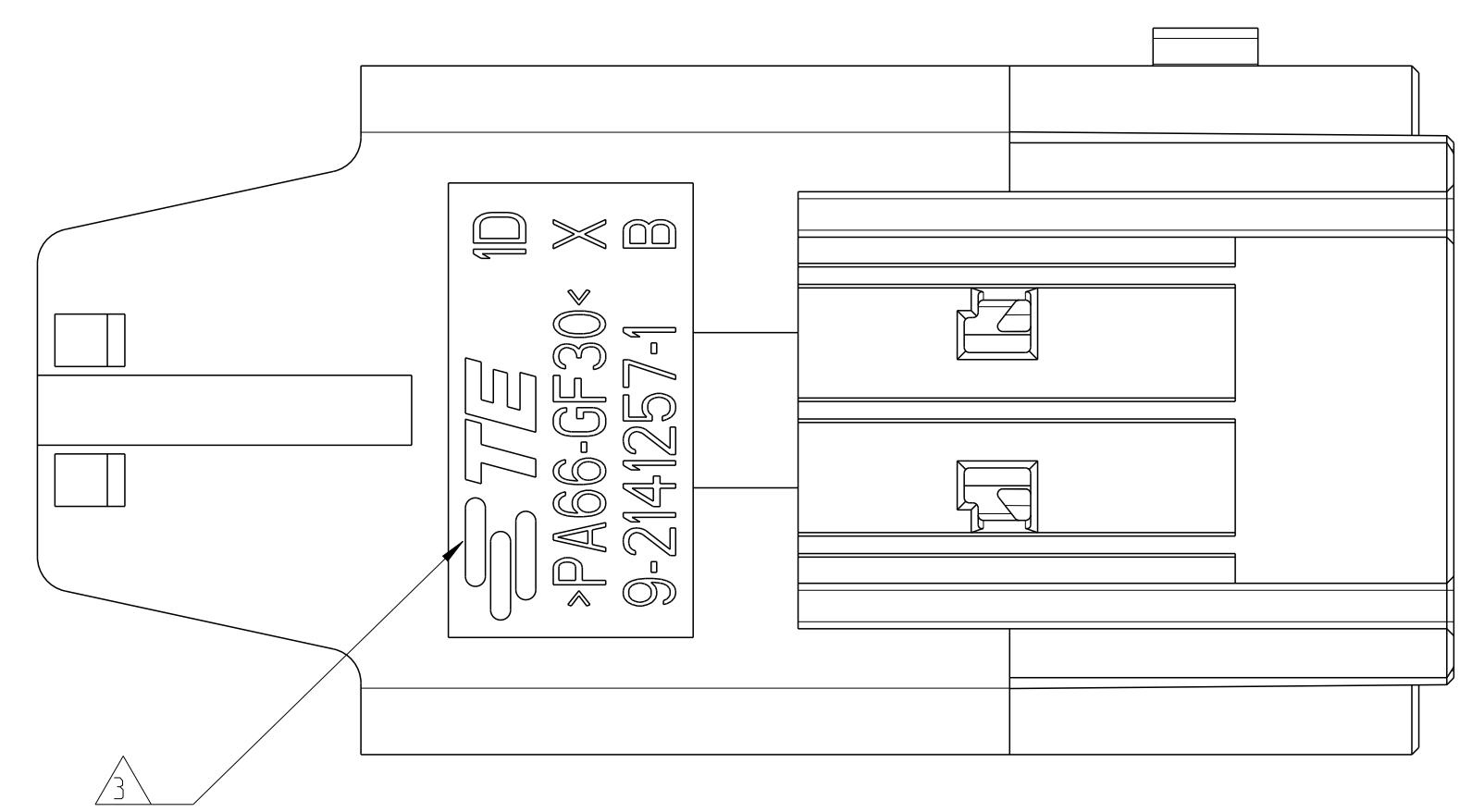
THIS DRAWING IS A CONTROLLED DOCUMENT. DIMENSIONING AND TOLERANCING PER GPS (ISO STANDARDS).  
 DIMENSIONS: mm. TOLERANCES UNLESS OTHERWISE SPECIFIED: 0 PLC ±0.1, 1 PLC ±0.1, 2 PLC ±0.1, 3 PLC ±0.1, 4 PLC ±0.1. ANGLES FINISH: °.

OWN: Vishwa A, 07FEB2011  
 CHK: U.Hoedinger, 28APR2011  
 APVD: T.Reissenegger, 04MAY2011

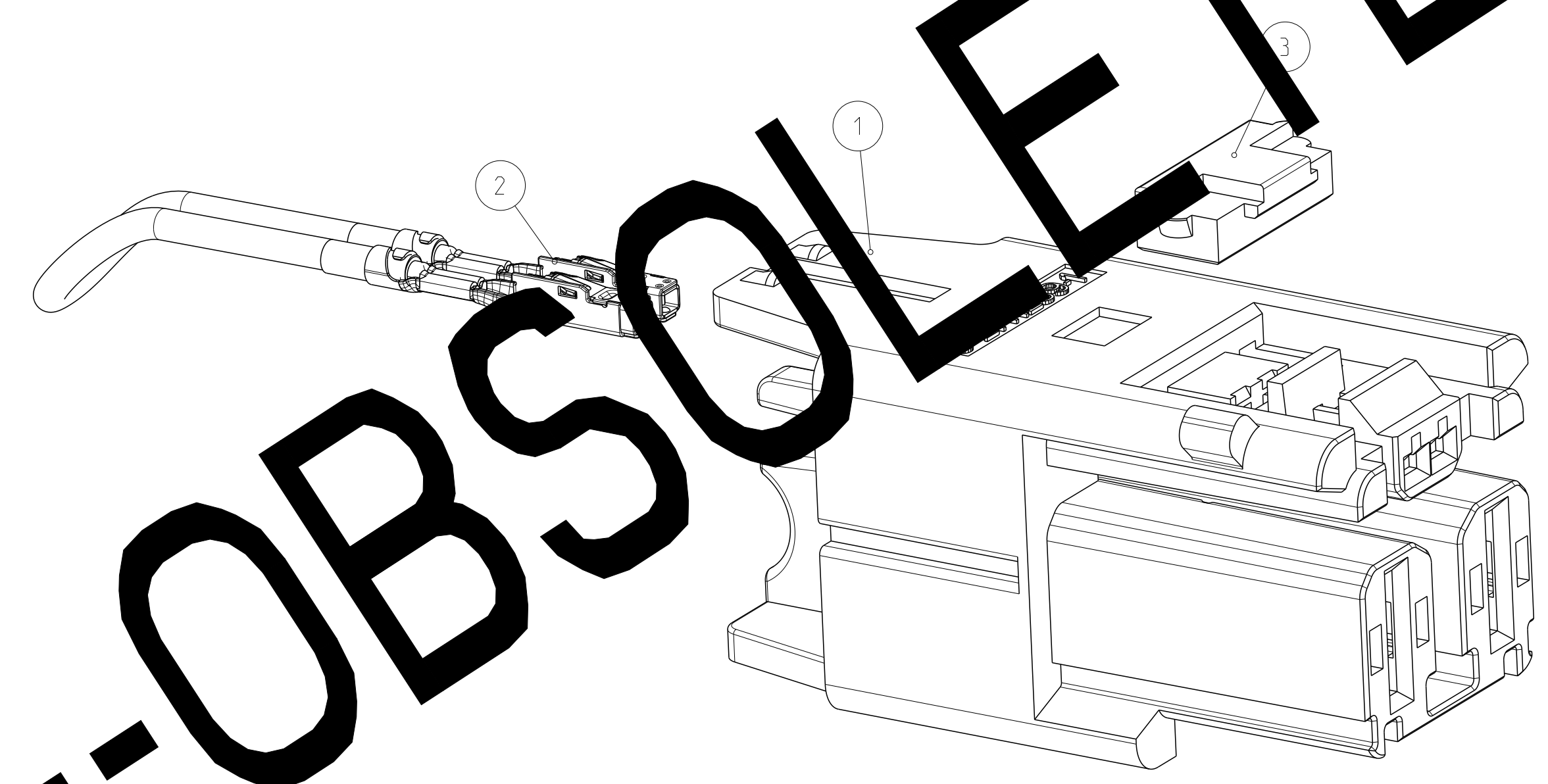
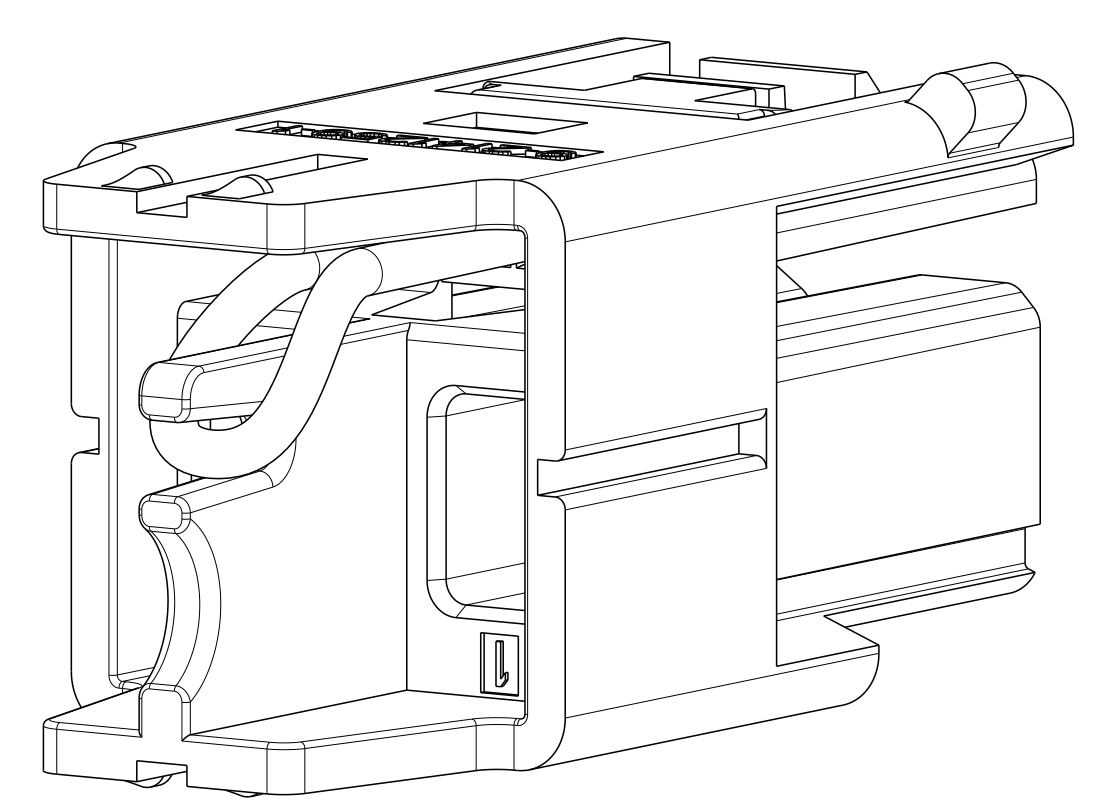
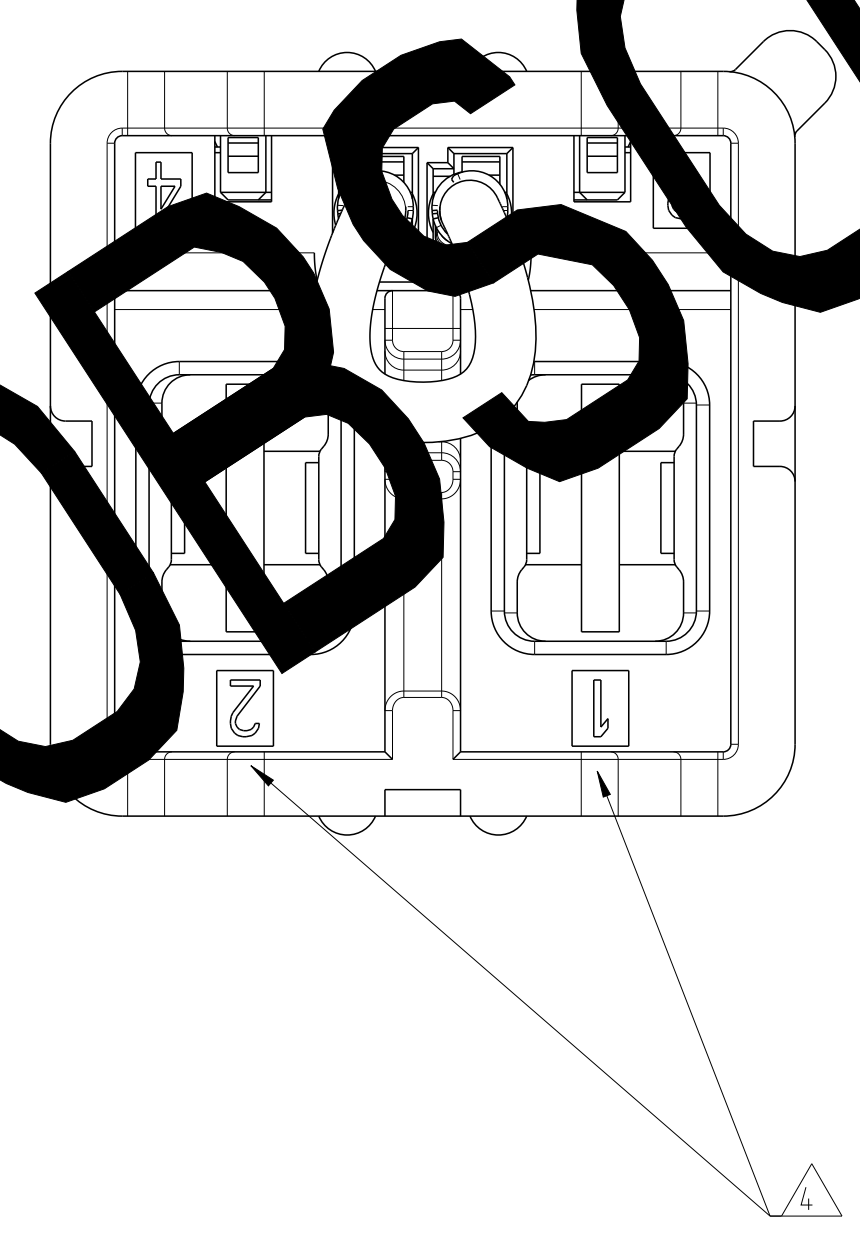
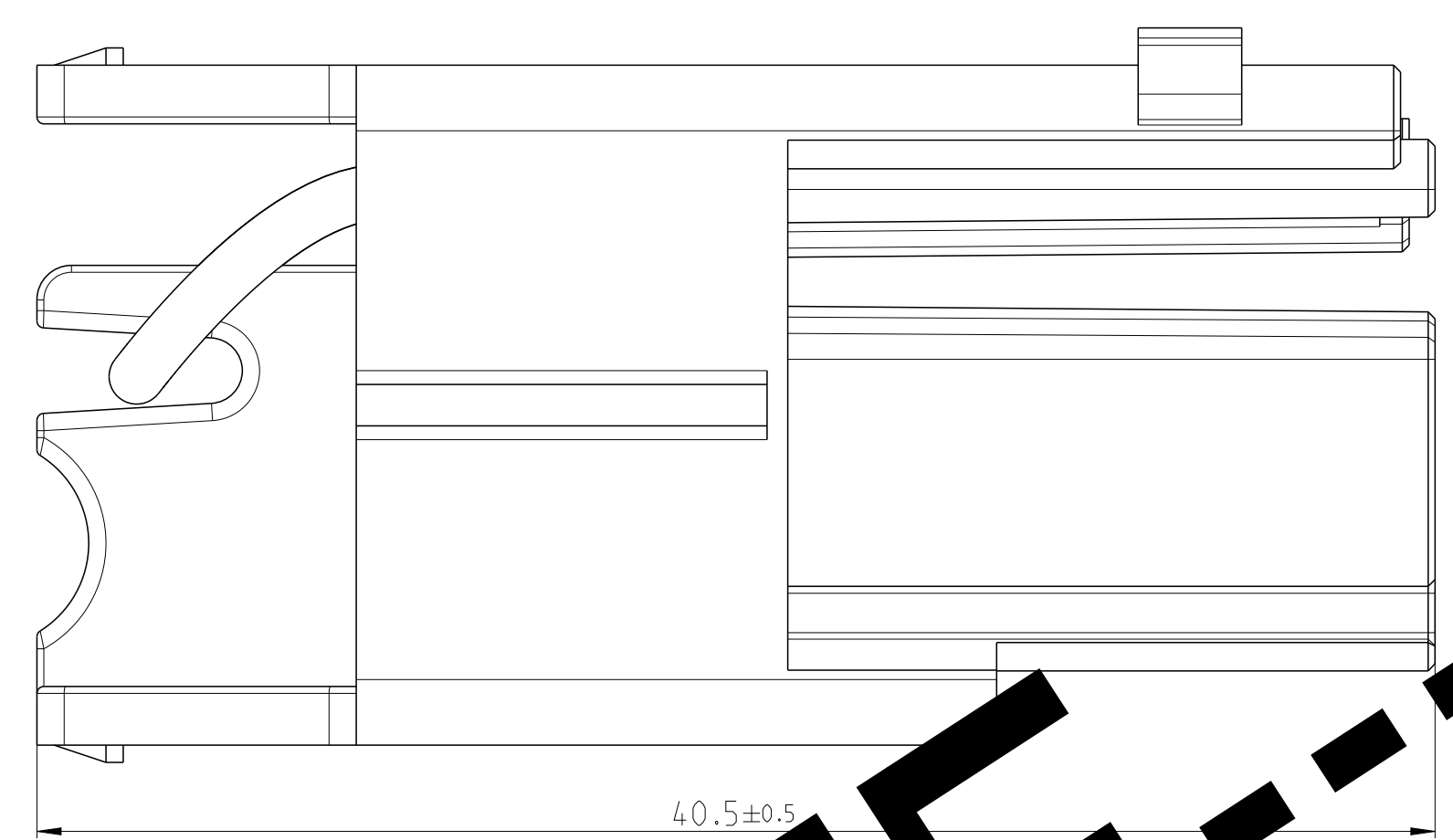
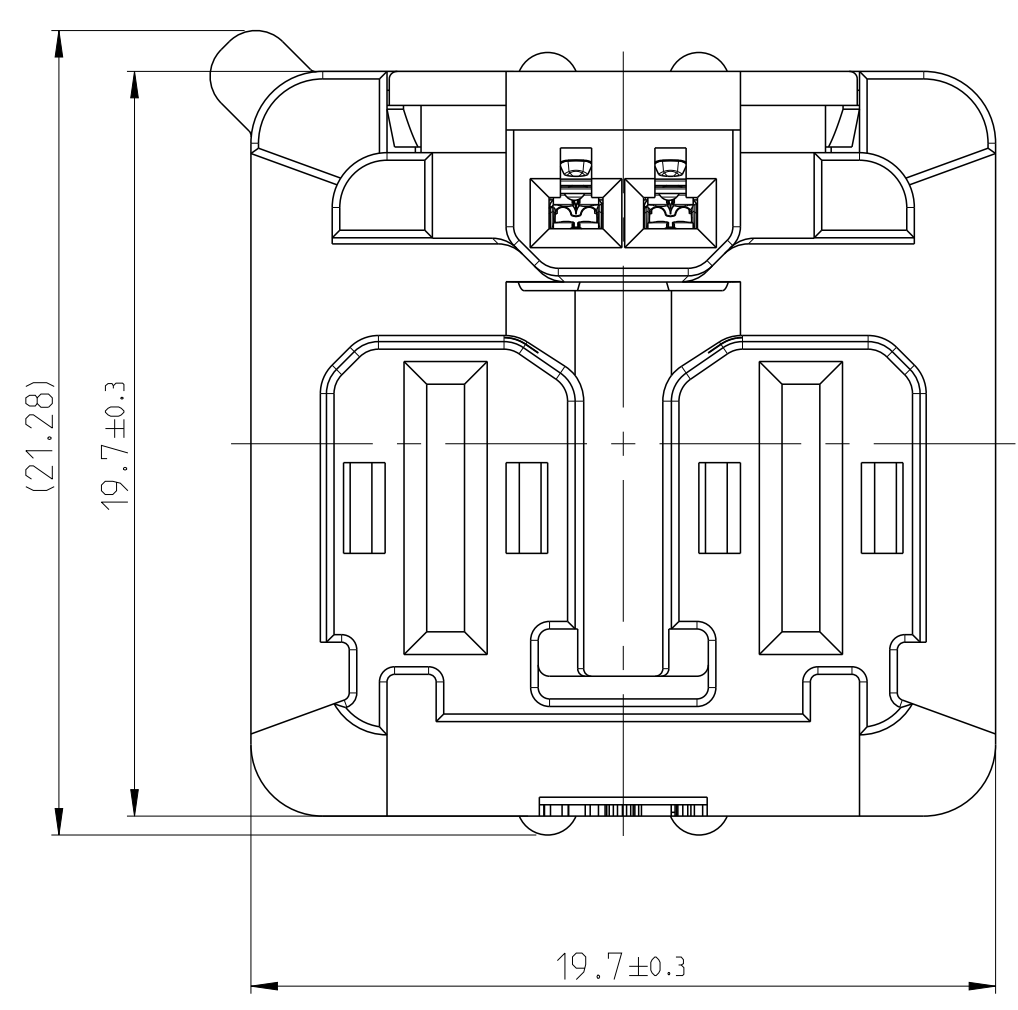
NAME: 2POS. MIXED. REC HSG. ASSY  
 SIZE: A1, CAGE CODE: 00779, DRAWING NO: 2141259, RESTRICTED TO: -

SCALE: 5:1, SHEET: 1 OF 2, REV: F

LOC	DIST	REV	DATE	BY	APPV
A1	-	-	-	-	-



- NOTES:  
Bemerkungen:
- 1 THE GERMAN LANGUAGE VERSION IS AUTHORITY  
Die deutsche Text ist maßgebend
  - 2 PACKING MATERIAL PACKED INTO POLYETHYLENE PACKET  
Verpackung: Schüttgut in PE Beutel verpackt
  - 3 SUPPLIER MARK  
Lieferantenzeichnung
  - 4 IDENTITY IDENTIFICATION POWER CONTACT  
Kennzeichnung Leistungskontakt



NOTE Bem.	FEATURE Merkmal	TE - No.
5	ENTIRE ASSEMBLY SEE Gesamtzusammenbau siehe	114-94100-1
⚠	PRODUCT-SPEC. Produkt-Spez.	108-94264
⚠	APPLICATION.-SPEC. Verarbeitungs-Spez.	114-94100

DESCRIPTION - ASSY	WEIGHT (g)	TE ORDER-NO.	REV	QTY	DESCRIPTION - PART	MATERIAL	SURFACE COLOUR	ITEM
2POS. MIXED. REC HSG. ASSY	8	9-2141259-1	C	1	2.LOCK MCON 1.2	PA66-GF30	GRAY	3
				1	1POS. MCON-1.2 CABLE ASSY	-	-	2
				1	2POS. MIXED. REC HSG	PA66-GF30	BLACK	1

VORSERIE

THIS DRAWING IS A CONTROLLED DOCUMENT. DIMENSIONING AND TOLERANCING PER GPS (ISO STANDARDS)

DATE: 07FEB2011  
 CHK: Yishiwa\_A  
 UJ.Hoedinger  
 APV: T.Reissenegger  
 NAME: 2POS. MIXED. REC HSG. ASSY

TE Connectivity

SIZE: A1  
 CAGE CODE: 00779  
 DRAWING NO: 2141259  
 SCALE: 5:1  
 SHEET: 2 OF 2  
 REV: F