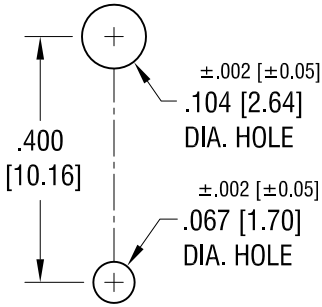
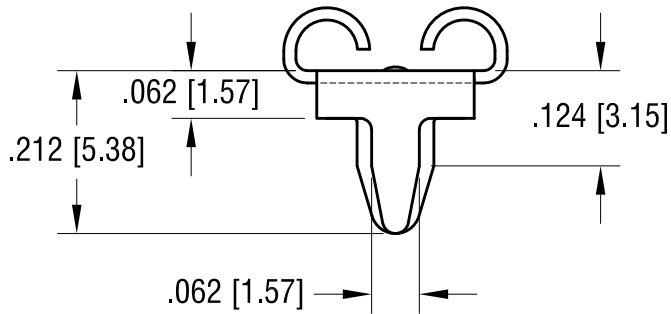
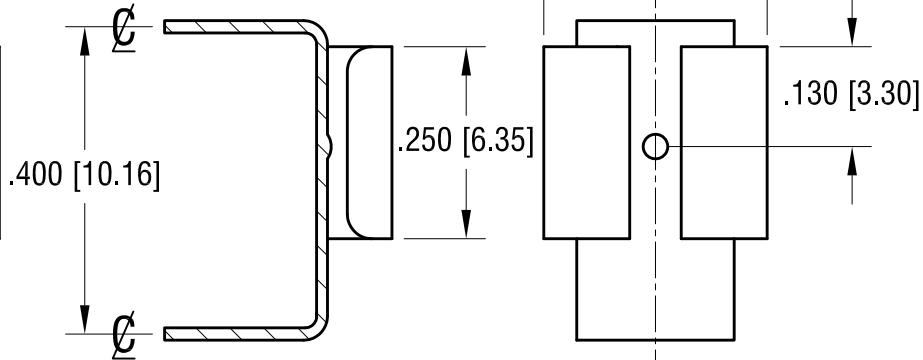
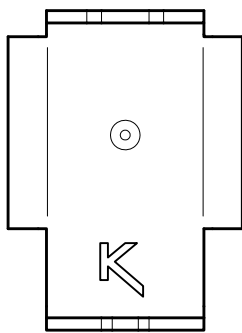
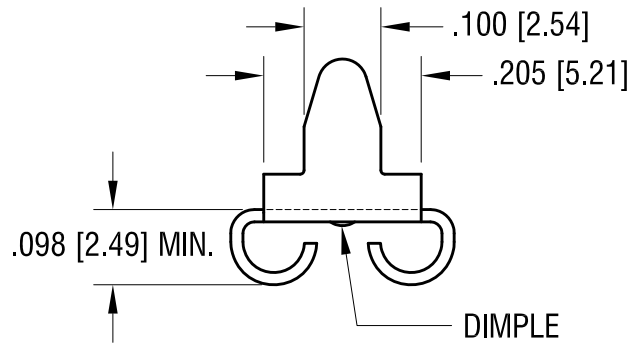


THIS DOCUMENT IS THE PROPERTY OF
KEYSTONE ELECTRONICS CORP. AND
SHALL NOT BE REPRODUCED, DISTRIBUTED
OR USED AS A BASIS FOR MANUFACTURE
WITHOUT PRIOR WRITTEN PERMISSION
FROM KEYSTONE ELECTRONICS CORP.

MOUNTING DETAIL



ACTUAL SIZE



KEY FILE NUMBER: E201546

KEYSTONE ELECTRONICS CORP.

www.keyelco.com • NEW HYDE PARK NY 11040 • Tel (516)328-7500

PART NAME
.250 x .032 HORIZONTAL QUICK CONNECT

MATERIAL
.016 [0.40] TH'K BRASS

| | | |
|-----------------------------------|------------------------|------------------|
| FINISH TIN NICKEL PLATE | DRN BY BOONE | DATE 12.01.94 |
| | APP'D MR | SCALE 4X |

| | | |
|--|------------------|------------------------|
| TOLERANCES INCH [MM] DECIMAL ± .005 [± 0.13] | CODE C | DWG NO. 3547 |
| UNLESS OTHERWISE SPECIFIED | | |

| | | |
|----------|--------------------------|------|
| 8.30.12 | CHANGE AS PER ECN 12-121 | D |
| 10.18.05 | CHANGE AS PER ECN 05-075 | C |
| DATE | DESCRIPTION | REV. |