

- 1
- 2
- 3
- 4
- 5
- 6
- 7
- 8
- 9
- 10
- 11
- 12
- 13
- 14
- 15
- 16
- 17
- 18

MATERIAL

Aluminium.

STANDARD EXECUTIONS

- **MSM-BS-ANB**: anodised aluminium, black colour.
- **MSM-BS-MT**: natural aluminium, matte finish.

FEATURES AND APPLICATIONS

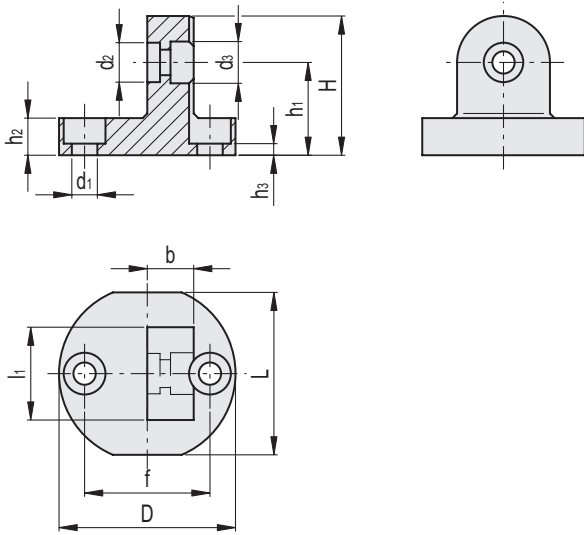
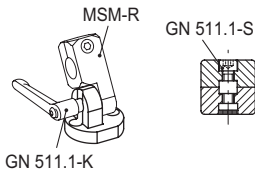
The bases for MSM-BS pivoting connecting clamps have been designed to be used with MSM-R, MSM-HR and MSM-FR pivoting connecting clamps.

By using GN 511.1 clamping kit, these bases can be assembled with the different types of pivoting connecting clamps to obtain various combinations.

KEY TO TABLE DIMENSIONS

d3 = hole for clamping kit GN 511.1 (see page -).

f = fixing holes centre distance for the assembly of magnetic bases MSM-RM (see page 915).



Conversion Table	
1 mm = 0.039 inch	
mm	inch
16	1.18
20	1.73
25	2.48
30	3.07

METRIC

MSM-BS-ANB

Code	Description	d1	d2	d3	L	D	H	l1	b	h1	h2	h3	f	d3 Clamping kit	⚖️
500951	MSM-BS-16-ANB	M4	4.5	7.5	29	31.5	25	16	8	17	7	3	22	GN 511.1-M4-16	18
500961	MSM-BS-20-ANB	M5	5.5	9	35	38	30	20	10	20	8	2.5	27	GN 511.1-M5-20	31
500971	MSM-BS-25-ANB	M6	6.5	10.5	41	45	37	25	12.5	24.5	10	4	32	GN.511.1-M6-25	55
500981	MSM-BS-30-ANB	M6	6.5	10.5	44	50	44.5	30	15	29.5	12.5	6.5	36	GN 511.1-M6-30	90

METRIC

MSM-BS-MT

Code	Description	d1	d2	d3	L	D	H	l1	b	h1	h2	h3	f	d3 Clamping kit	⚖️
500956	MSM-BS-16-MT	M4	4.5	7.5	29	31.5	25	16	8	17	7	3	22	GN 511.1-M4-16	18
500966	MSM-BS-20-MT	M5	5.5	9	35	38	30	20	10	20	8	2.5	27	GN 511.1-M5-20	31
500976	MSM-BS-25-MT	M6	6.5	10.5	41	45	37	25	12.5	24.5	10	4	32	GN.511.1-M6-25	55
500986	MSM-BS-30-MT	M6	6.5	10.5	44	50	44.5	30	15	29.5	12.5	6.5	36	GN 511.1-M6-30	90

Levelling feet and supports