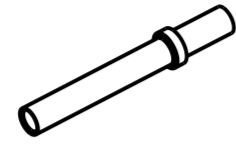
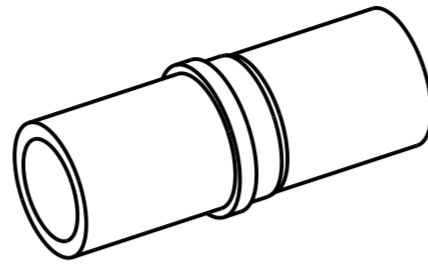


THIS DRAWING IS UNPUBLISHED. RELEASED FOR PUBLICATION 20
 © COPYRIGHT 20 BY TYCO ELECTRONICS CORPORATION. ALL RIGHTS RESERVED.

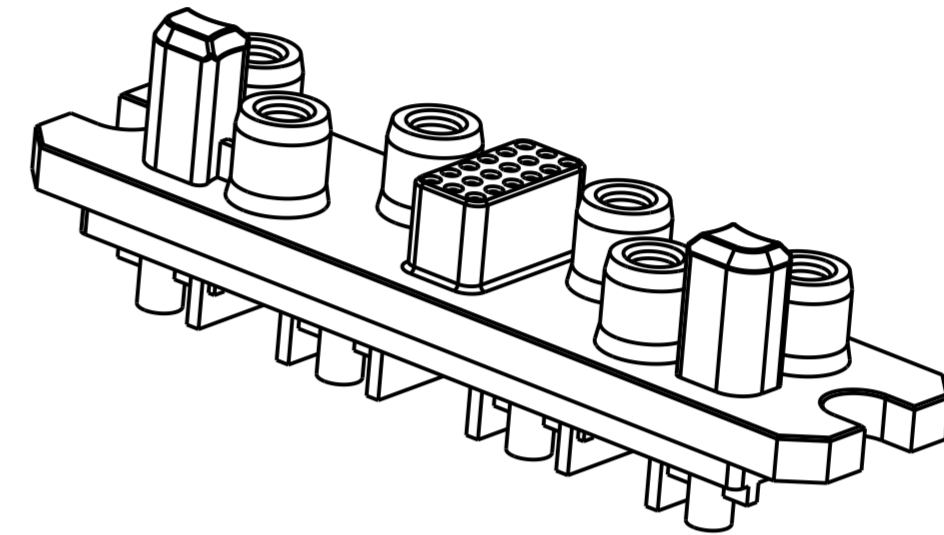
LOC	DIST	REVISIONS					
GP	00	P	LTR	DESCRIPTION	DATE	DWN	APVD
		B4		CHANGE BOM FOR -3	23NOV2020	OL	SH
		B5		UPDATE VIEW FOR -3	27NOV2020	OL	SH
		B6		UPDATE SIG VIEW IN SHEET 3	30NOV2020	OL	SH



#20 SOCKET CONTACT
 PN 1648325-1
 18 POSITIONS AVAILABLE
 SCALE 2:1



#4 SOCKET CONTACT
 PN 6648434-1
 6 POSITIONS AVAILABLE
 SCALE 2:1



SOCKET CONNECTOR - CRIMP
 PN 6651586-2

- PART NUMBER CHANGES AND OR DESIGN CHANGES AFFECTING ITEM INTERCHANGEABILITY REQUIRE PRIOR TYCO APPROVAL AND AUTHORIZATION BY REVISION TO THIS DRAWING.
- MATERIALS:
 INSULATORS: THERMOPLASTIC, GLASS REINFORCED
 UL RATED 94V-0 FLAMMABILITY RATED.
 CONTACTS: COPPER ALLOY BODY WITH BERYLLIUM COPPER CONTACTS
 RETENTION CLIPS: BERYLLIUM COPPER OR STAINLESS STEEL
- FINISHES:
 INSULATOR: AS MOLDED, COLOR BLACK (MACHINED, COLOR NATURAL)
 #20 CONTACTS: GOLD PLATED
 #4 CONTACTS: SILVER PLATED
 CROWN BANDS: GOLD PLATED
 RETENTION CLIPS: CLEANED
- SOCKET CONTACTS USED IN THESE CONNECTORS:
 #4 SOCKET CONTACTS, CRIMP TERMINATION
 PN 6648434-1
 #20 SOCKET CONTACTS, CRIMP TERMINATION
 PN 1648325-1, GOLD PLATED
 ALL CRIMP CONTACTS ARE PACKAGED SEPARATELY AND SHIPPED WITH THE CONNECTOR ASSEMBLY AS A KIT.
- OUTLINE SPECIFICATION
 SIZE #4 CONTACTS, 105 AMPS EACH, 600V
 SIZE #20 CONTACTS, 3 AMPS EACH, 250V
 POLARIZED INTEGRAL CONNECTOR GUIDE POSTS WITH ±1.3 (.05) GATHERABILITY WHEN USED WITH TYCO RECOMMENDED FLOAT MOUNT SCREW.
 STRAIGHT CONNECTOR CONFIGURATION, PANEL MOUNT
- A REFERENCE DIMENSION (X.XX) IS WITHOUT TOLERANCE AND USED FOR INFORMATION ONLY.

△ ITEMS PROVIDED TO THIS SPECIFICATION TO BE PERMANENTLY IDENTIFIED PER THE FOLLOWING IDENTIFIER:

TYCO PART NUMBER DATE CODE YEAR 2 WEEK 5
 (e.g. 0225)
 XXXXXXX-X XXXX

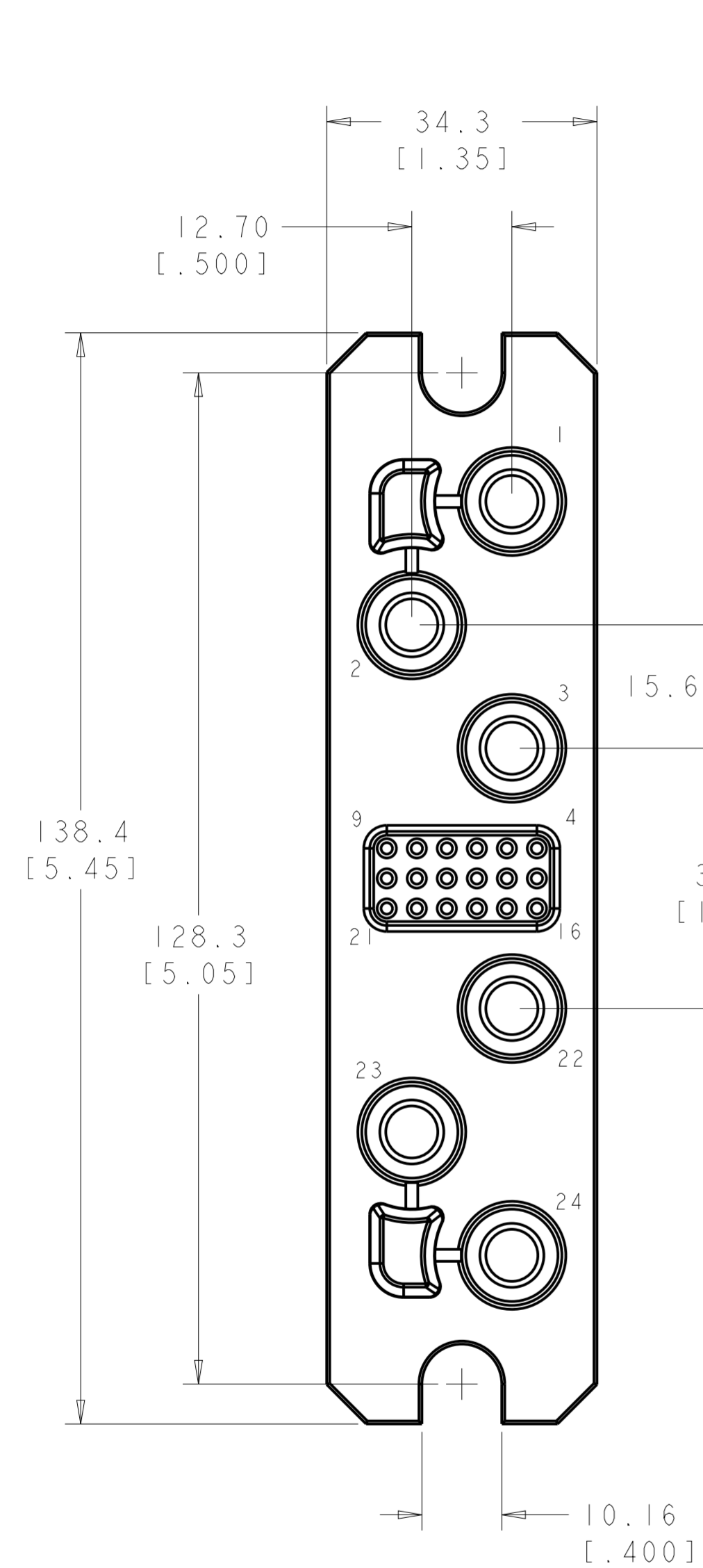
18	1648325-1	CONTACT, PIN #20 GAGE CRIMP	C
6	6648434-1	CONTACT, PIN #4 GAGE CRIMP	B
1	6651810-1	HOUSING, SUB-ASSEMBLY	A
-2	PART NUMBER	DESCRIPTION	ITEM NO.

<small>THIS DRAWING IS A CONTROLLED DOCUMENT FOR TYCO ELECTRONICS CORPORATION. IT IS SUBJECT TO CHANGE AND THE CONTROLLING ENGINEERING ORGANIZATION SHOULD BE CONTACTED FOR THE LATEST REVISION.</small>		DWN 23MAY2006 HA/GRZYBOWSKI CHK 23MAY2006 P. DAMATO APVD 23MAY2006 CHAUFLICKINGER	tyco Electronics Tyco Electronics Harrisburg, PA 17105-3608
DIMENSIONS: mm [INCHES] 	TOLERANCES UNLESS OTHERWISE SPECIFIED: 0 PLC ± 1 PLC ±0.5 [.02] 2 PLC ±0.25 [.010] 3 PLC ± 4 PLC ± ANGLES ±2 FINISH	PRODUCT SPEC APPLICATION SPEC WEIGHT	NAME CONNECTOR, SOCKET, CUSTOM DRAWER 6X 4 PWR AND 18X 20 SIGNAL CONTACTS PN 6651586-X SIZE CAGE CODE DRAWING NO. RESTRICTED TO A200779 C-6651586
MATERIAL		CUSTOMER DRAWING	SCALE 1:1 SHEET 1 OF 3 REV B6

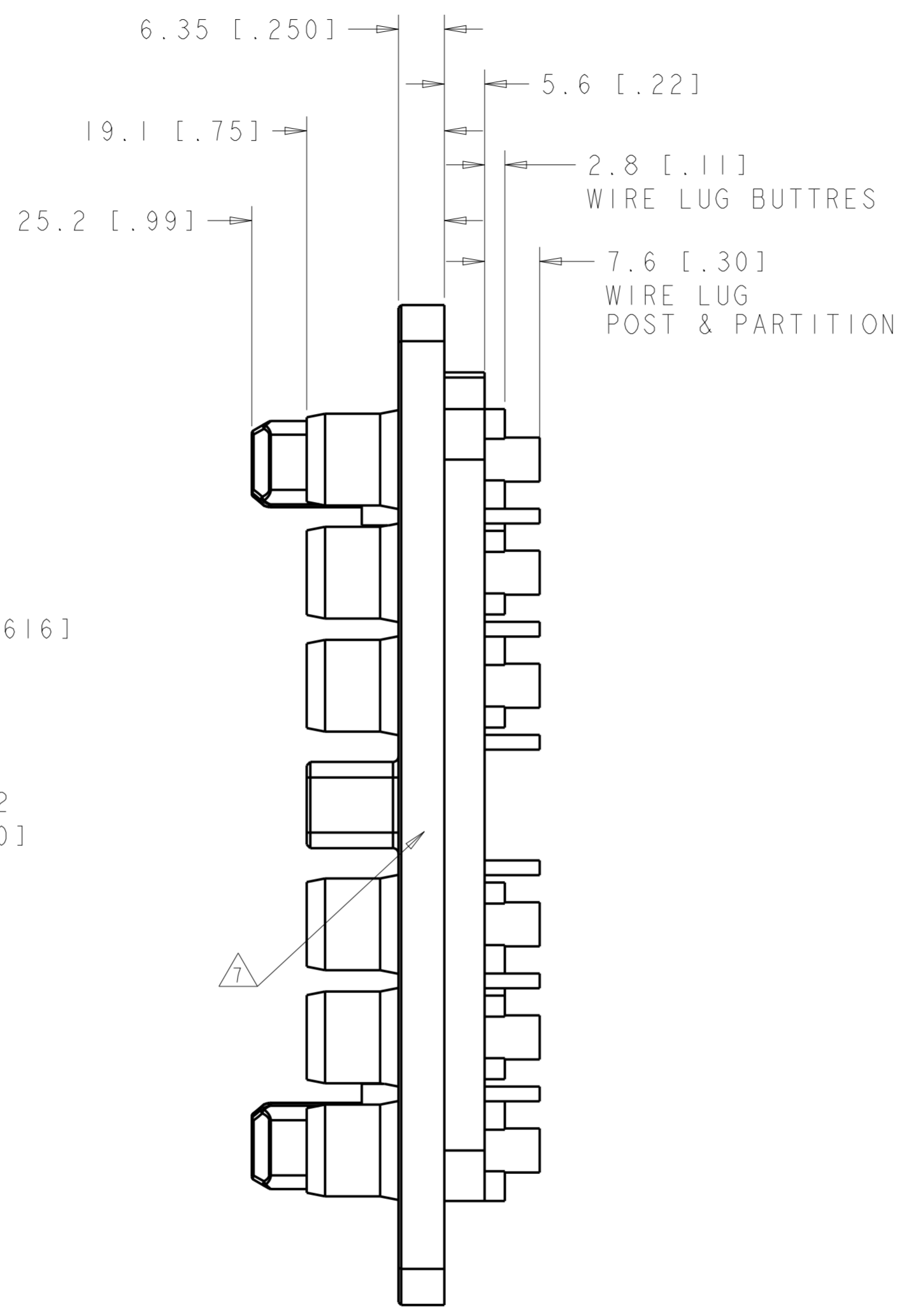
ELCON P6S18 CUSTOM DRAWER

THIS DRAWING IS UNPUBLISHED. RELEASED FOR PUBLICATION 20
 © COPYRIGHT 20 BY TYCO ELECTRONICS CORPORATION. ALL RIGHTS RESERVED.

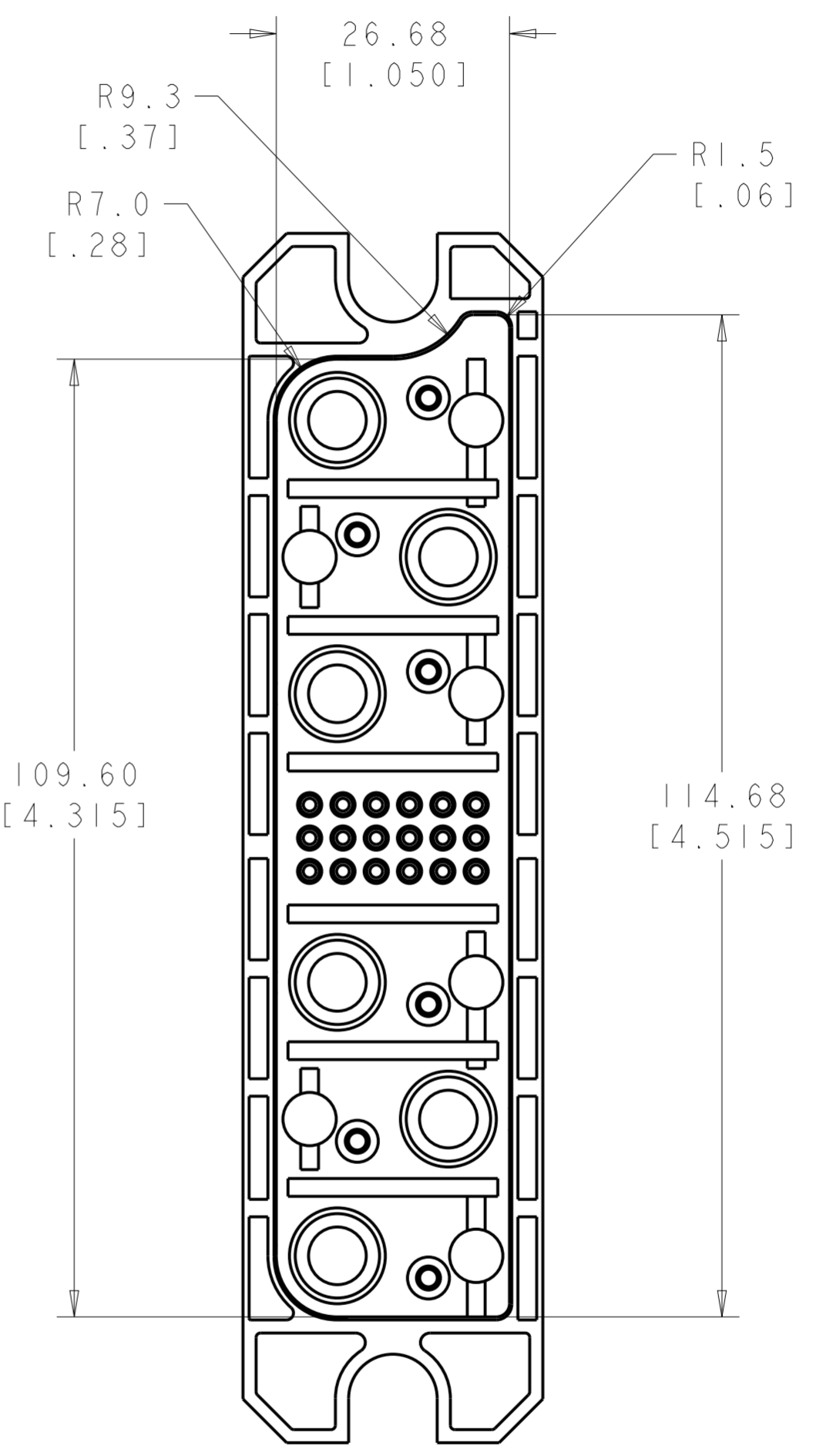
LOC	DIST	REVISIONS					
GP	00	P	LTR	DESCRIPTION	DATE	DWN	APVD
		-		SEE SHEET 1			



CONNECTOR TOP VIEW



CONNECTOR SIDE VIEW

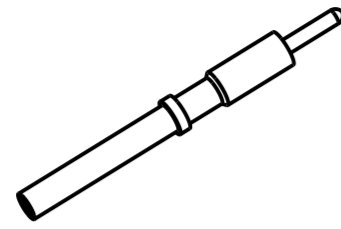


CONNECTOR BOTTOM VIEW

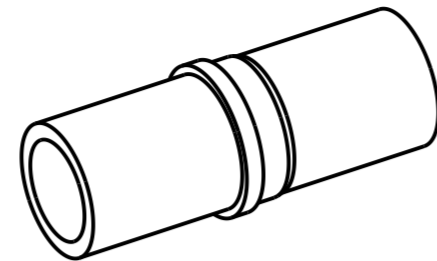
THIS DRAWING IS A CONTROLLED DOCUMENT FOR TYCO ELECTRONICS CORPORATION IT IS SUBJECT TO CHANGE AND THE CONTROLLING ENGINEERING ORGANIZATION SHOULD BE CONTACTED FOR THE LATEST REVISION.		DWN 23MAY2006 HA/GRZYBOWSKI CHK 23MAY2006 P. DAMATO APVD 23MAY2006 CHAUZELICKINGER	tyco Electronics Tyco Electronics Harrisburg, PA 17105-3608
DIMENSIONS: mm [INCHES]	TOLERANCES UNLESS OTHERWISE SPECIFIED: 0 PLC ± 1 PLC ±0.5 [0.02] 2 PLC ±0.25 [0.010] 3 PLC ± 4 PLC ± ANGLES ±2 FINISH	PRODUCT SPEC APPLICATION SPEC WEIGHT	NAME CONNECTOR, SOCKET, CUSTOM DRAWER 6X 4 PWR AND 18X 20 SIGNAL CONTACTS PN 6651586-X SIZE CAGE CODE DRAWING NO RESTRICTED TO A200779 C-6651586
MATERIAL		CUSTOMER DRAWING	SCALE 3:2 SHEET 2 OF 3 REV B6

THIS DRAWING IS UNPUBLISHED. RELEASED FOR PUBLICATION 20
 © COPYRIGHT 20 BY TYCO ELECTRONICS CORPORATION. ALL RIGHTS RESERVED.

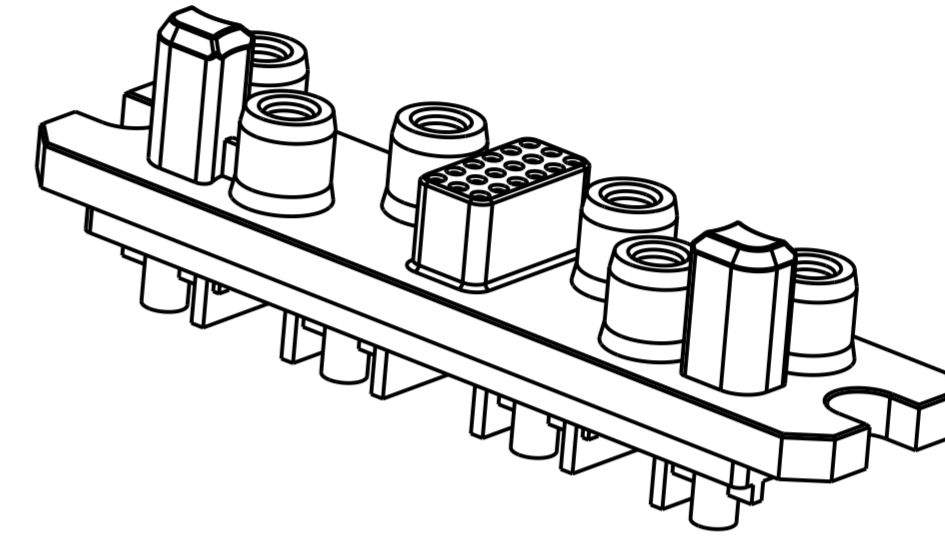
LOC	DIST	REVISIONS					
GP	00	P	LTR	DESCRIPTION	DATE	DWN	APVD
		-		SEE SHEET 1			



#20 SOCKET CONTACT
 PN 1648358-1
 18 POSITIONS AVAILABLE



#4 SOCKET CONTACT
 PN 6648434-1
 6 POSITIONS AVAILABLE



SOCKET CONNECTOR- CRIMP
 PN 6651586-3

- PART NUMBER CHANGES AND OR DESIGN CHANGES AFFECTING ITEM INTERCHANGEABILITY REQUIRE PRIOR TYCO APPROVAL AND AUTHORIZATION BY REVISION TO THIS DRAWING.
- MATERIALS:
 INSULATORS: THERMOPLASTIC, GLASS REINFORCED
 UL RATED 94V-0 FLAMMABILITY RATED.
 CONTACTS: COPPER ALLOY BODY WITH BERYLLIUM COPPER CONTACTS
 RETENTION CLIPS: BERYLLIUM COPPER OR STAINLESS STEEL
- FINISHES:
 INSULATOR: AS MOLDED, COLOR BLACK (MACHINED, COLOR NATURAL)
 #20 CONTACTS: GOLD PLATED
 #4 CONTACTS: SILVER PLATED
 CROWN BANDS: GOLD PLATED
 RETENTION CLIPS: CLEANED
- SOCKET CONTACTS USED IN THESE CONNECTORS:
 #4 SOCKET CONTACTS, CRIMP TERMINATION
 PN 6648434-1
 #20 SOCKET CONTACTS, SOLDER TERMINATION
 PN 1648358-1, GOLD PLATED
 ALL CRIMP CONTACTS ARE PACKAGED SEPARATELY AND SHIPPED WITH THE CONNECTOR ASSEMBLY AS A KIT.
- OUTLINE SPECIFICATION
 SIZE #4 CONTACTS, 105 AMPS EACH, 600V
 SIZE #20 CONTACTS, 3 AMPS EACH, 250V
 POLARIZED INTEGRAL CONNECTOR GUIDE POSTS WITH ±1.3 (.05) GATHERABILITY
 WHEN USED WITH TYCO RECOMMENDED FLOAT MOUNT SCREW.
 STRAIGHT CONNECTOR CONFIGURATION, PANEL MOUNT
- A REFERENCE DIMENSION (X.XX) IS WITHOUT TOLERANCE AND USED FOR INFORMATION ONLY.

△ ITEMS PROVIDED TO THIS SPECIFICATION TO BE PERMANENTLY IDENTIFIED PER THE FOLLOWING IDENTIFIER:

TYCO PART NUMBER DATE CODE YEAR 2 WEEK 5
 (e.g. 0225)
 XXXXXXX-X XXXX

18	1648358-1	CONTACT, SIZE #20 PCB TAIL	C
6	6648434-1	CONTACT, SIZE #4 GAGE CRIMP	B
1	6651810-1	HOUSING, SUB-ASSEMBLY	A
-3	PART NUMBER	DESCRIPTION	ITEM NO.

<small>THIS DRAWING IS A CONTROLLED DOCUMENT FOR TYCO ELECTRONICS CORPORATION IT IS SUBJECT TO CHANGE AND THE CONTROLLING ENGINEERING ORGANIZATION SHOULD BE CONTACTED FOR THE LATEST REVISION.</small>		DWN 23MAY2006 HA/GRZYBOWSKI CHK 23MAY2006 P. DAMATO APVD 23MAY2006 CHAUFLICKINGER	Tyco Electronics Harrisburg, PA 17105-3608
DIMENSIONS: mm [INCHES] 	TOLERANCES UNLESS OTHERWISE SPECIFIED: 0 PLC ± 1 PLC ±0.5 [.02] 2 PLC ±0.25 [.010] 3 PLC ± 4 PLC ± ANGLES ±2 FINISH	PRODUCT SPEC APPLICATION SPEC WEIGHT	NAME CONNECTOR, SOCKET, CUSTOM DRAWER 6X 4 PWR AND 18X 20 SIGNAL CONTACTS PN 6651586-X SIZE CAGE CODE DRAWING NO. RESTRICTED TO A200779 C-6651586
MATERIAL		CUSTOMER DRAWING	SCALE 1:1 SHEET 3 OF 3 REV B6