

Würth Elektronik eiSos GmbH & Co. KG

EMC & Inductive Solutions

Max-Eyth-Straße 1 · 74638 Waldenburg · Germany

Tel. +49 (0) 79 42 945-0 · Fax +49 (0) 79 42 945-400

eiSos@we-online.de · www.we-online.de



Product / Process Change Notification (PCN)

- Major change
 Minor change

PCN #: PCN_UtRJ45LAN_20201027
Affected Series: WE-UtRJ45LAN; 7499xxx, S171xxx
PCN Date: July 27, 2020
Effective Date: October 27, 2020

Change Category:

Equipment / Location
 General Data
 Material
 Process
 Product Design
 Shipping / Packaging
 Supplier
 Software

Contact: Product Management
Phone: +49 (0) 7942 - 945 5001
Fax: +49 (0) 7942 - 945 5179
E-Mail: pcn.eisos@we-online.com

Data Sheet Change:

Yes No

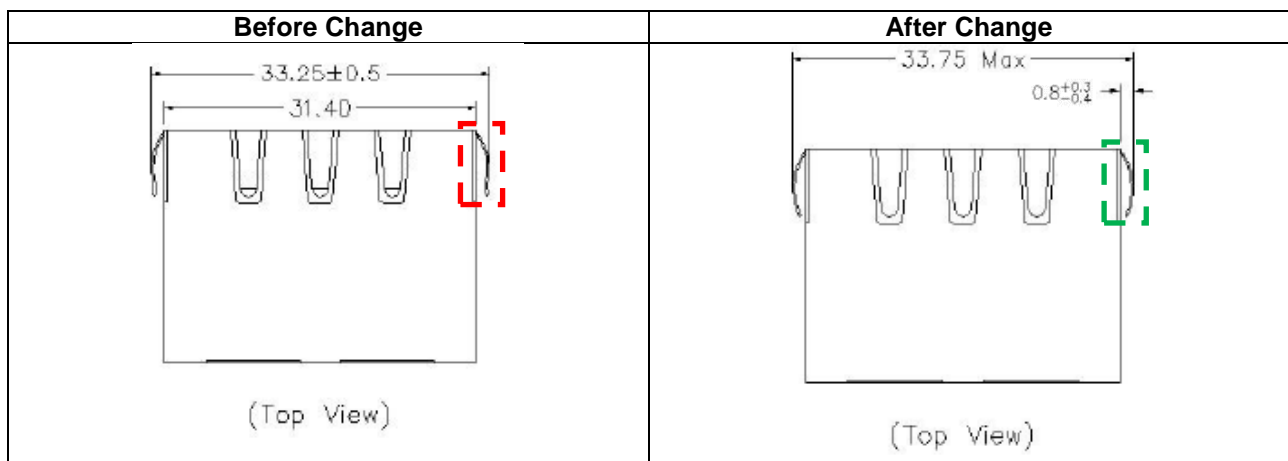
Attachment:

Yes No

DESCRIPTION AND PURPOSE OF CHANGE:

To improve the processability, Würth Elektronik will optimize the form of the RJ45 EMI fingers.
 All products with date code 2020-10-27 or later, will be affected by this change.
 There will be no change in function, quality or reliability of the product.

DETAIL OF CHANGE:



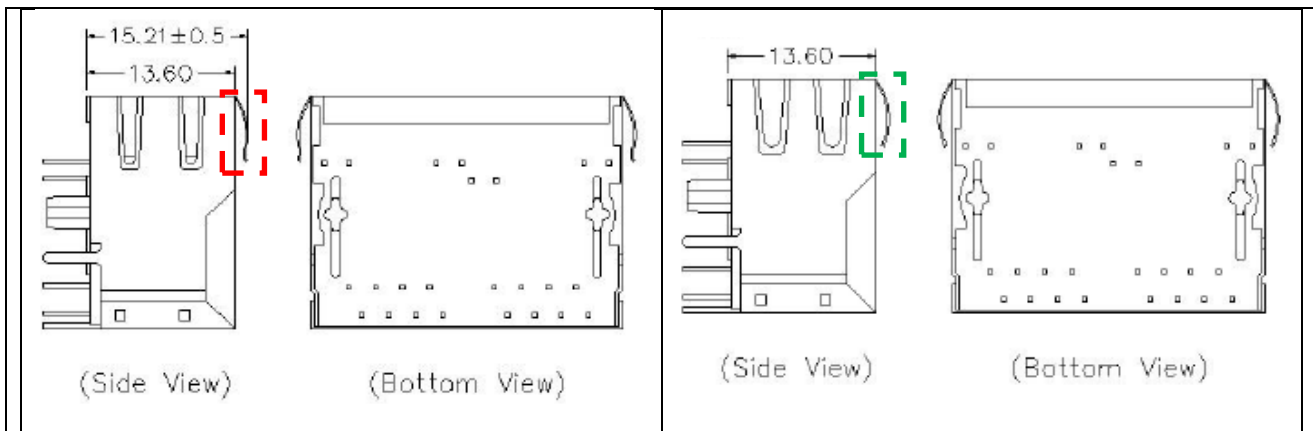
Würth Elektronik eiSos GmbH & Co. KG

EMC & Inductive Solutions

Max-Eyth-Straße 1 · 74638 Waldenburg · Germany

Tel. +49 (0) 79 42 945-0 · Fax +49 (0) 79 42 945-400

eiSos@we-online.de · www.we-online.de



Affected Part Numbers:

7499021121	7499021000A	7499021000A
7499021211	S17100084	7499121001

RELIABILITY / QUALIFICATION SUMMARY:

The change is released by the product management department.