



Since 1959

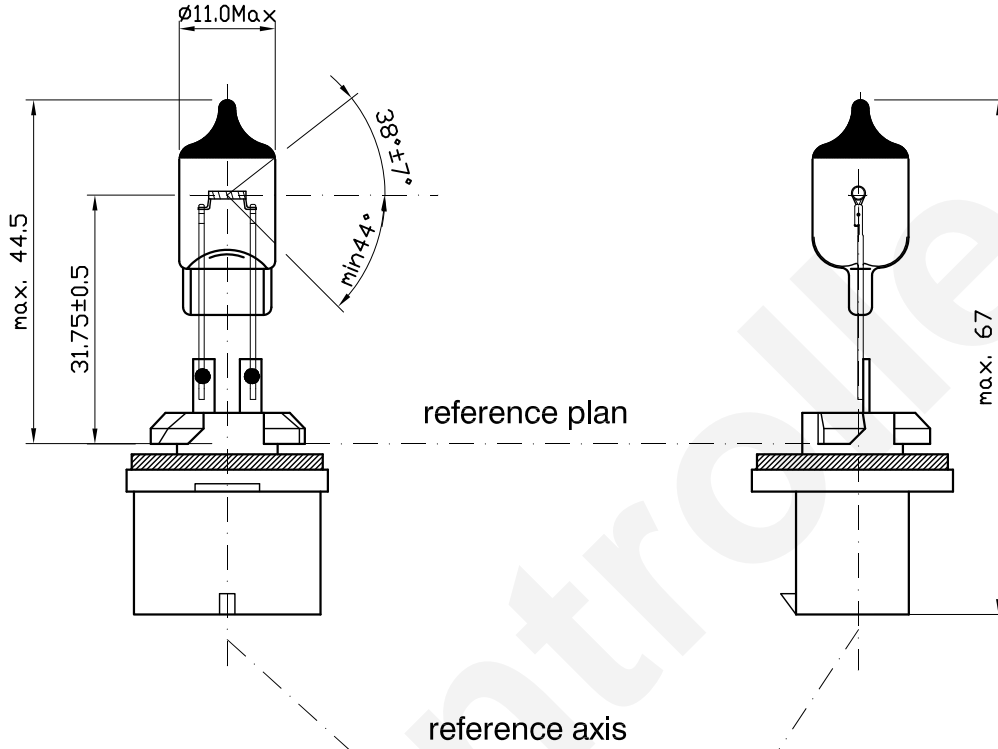
Product Information Sheet

H27W/1 (880) 12V 27W

880

2010. 12. 13 NEW

2009. 05. 07 OLD



* all dimensions in mm

Halogen bulb
 H27W/1 12V 27W
 Cap: ¹⁾ PG13
 Type: 880
 ECE R37 (E1) 2S2
 FMVSS108 none
 Bulb mat.: UV-cut Hardglass
 Made in Korea / INCHEON

1) according to IEC 61-1 sheet 7004-107-1
 2) Without black top

Technical data	R37	FOR USA
Test voltage	13.5V	12.8V
Power	31W max	30W max
Luminous flux	477lm ±15%	²⁾ 540lm ±15%
Lumen maintenance	85 % min	85 % min
Rated life: -characteristic Tc -B3	at 14.0V -Average 300 hr	
Maximum operating temperature: Operating position	bulb 650°C max pinch 400°C max horizontal	