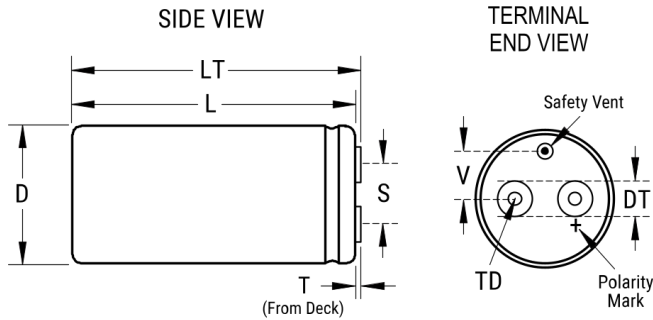


ALS70G104NT100

Aliases (A390TW104M100G)

ALS70, Aluminum Electrolytic, 100,000 uF, 20%, 100 VDC, -40/+85°C



Click [here](#) for the 3D model.

Dimensions

D	77mm +/-1mm
L	220mm +/-2mm
T	6.4mm +/-0.5mm
S	31.8mm +/-0.5mm
DT	17mm +/-0.5mm
LT	Available On Request
TD	11.8mm MIN
V	19mm NOM

Packaging Specifications

Sleeving	Yes
Packaging	Tray

General Information

Series	ALS70
Dielectric	Aluminum Electrolytic
Description	Screw Terminal, Aluminum Electrolytic
RoHS	Yes
AEC-Q200	No
Halogen Free	Yes
Component Weight	1450 g
Notes	Dimensions D And L Include Sleeving. MS (MxH) = M12x16. Mounting Clamp (Sold Separately): V11
Shelf Life	156 Weeks

Specifications

Capacitance	100,000 uF
Capacitance Tolerance	20%
Voltage DC	100 VDC, 115 VDC (Surge)
Temperature Range	-40/+85°C
Rated Temperature	85°C
Life	20000 Hrs (Rated Voltage And Ripple Current At 85C), 40000 Hrs (Rated Voltage At 85C)
Resistance	8 mOhms (100Hz 20C), 9 mOhms (10kHz 20C)
Ripple Current	32.6 Amps (100Hz 85C), 34.4 Amps (10kHz 85C)
Leakage Current	6000 uA