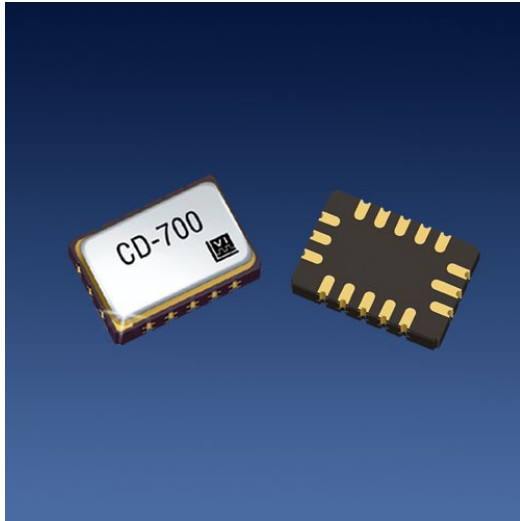



## CD-700 Complete VCXO Based Phase Lock Loop



### Features

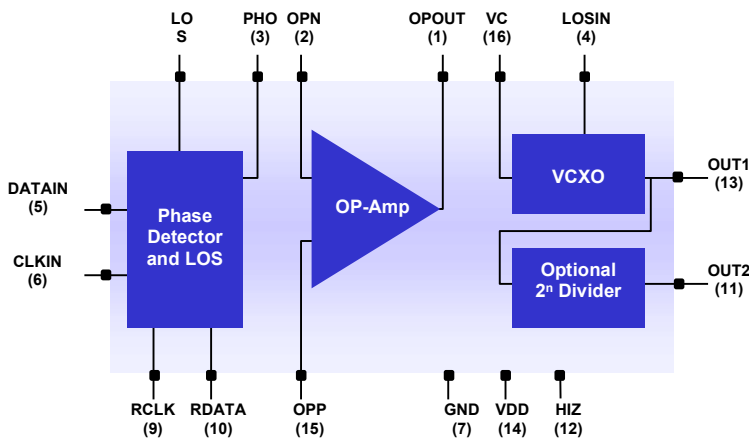
- 5 x 7.5 x 2 mm, smallest VCXO PLL available
- Output Frequencies to 77.76 MHz
- 5.0 or 3.3 Vdc operation
- Tri-State Output
- Holdover on Loss of Signal Alarm
- VCXO with CMOS outputs
- 0/70 or -40/85 °C temperature range
- Hermetically sealed ceramic SMD package
- Product is compliant to RoHS directive 

### Applications

- Frequency Translation
- Clock Smoothing, Clock Switching
- NRZ Clock recovery
- DSLAM, ADM, ATM, Aggregation, Optical Switching/Routing, Base Station
- Synchronous Ethernet
- Low jitter PLL's

### Description

The VI CD-700 is a user-configurable crystal based PLL integrated circuit. It includes a digital phase detector, op-amp, VCXO and additional integrated functions for use in digital synchronization applications. Loop filter software is available as well SPICE models for circuit simulation.



**Figure 1. CD-700 Block Diagram**

# CD-700, VCXO Based PLL

## Performance Characteristics

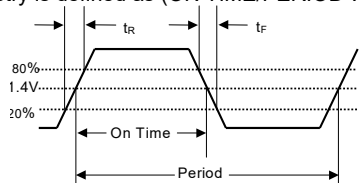
**Table 1. Electrical Performance**

| Parameter   | Symbol                             | Min                | Typical        | Maximum                 | Units          |
|---|------------------------------------|--------------------|----------------|-------------------------|----------------|
| Output Frequency ( <i>ordering option</i> )<br>OUT1, 5.0 V option<br>OUT1, 3.3 V option                                 |                                    | 1.000<br>1.000     |                | 77.760<br>77.760        | MHz<br>MHz     |
| Supply Voltage <sup>1</sup><br>+5.0<br>+3.3   | V <sub>DD</sub>                    | 4.5<br>2.97        | 5.0<br>3.3     | 5.5<br>3.63             | V<br>V         |
| Supply Current  | I <sub>DD</sub>                    |                    |                | 63                      | mA             |
| Output Logic Levels<br>Output Logic High <sup>2</sup><br>Output Logic Low <sup>2</sup>                                  | V <sub>OH</sub><br>V <sub>OL</sub> | 2.5                |                | 0.5                     | V<br>V         |
| Output Transition Times<br>Rise Time <sup>2</sup><br>Fall Time <sup>2</sup>   | t <sub>R</sub><br>t <sub>F</sub>   |                    |                | 5<br>5                  | ns<br>ns       |
| Input Logic Levels<br>Output Logic High <sup>2</sup><br>Output Logic Low <sup>2</sup>                                   | V <sub>IH</sub><br>V <sub>IL</sub> | 2.0                |                | 0.5                     | V<br>V         |
| Loss of Signal Indication<br>Output Logic High <sup>2</sup><br>Output Logic Low <sup>2</sup>                            | V <sub>OH</sub><br>V <sub>OL</sub> | 2.5                |                | 0.5                     | V<br>V         |
| Nominal Frequency on Loss of Signal<br>Output 1<br>Output 2   |                                    |                    |                | ±75<br>±75              | ppm<br>ppm     |
| Symmetry or Duty Cycle <sup>3</sup><br>Out 1<br>Out 2<br>RCLK   | SYM1<br>SYM2<br>RCLK               |                    |                | 40/60<br>45/55<br>40/60 | %<br>%<br>%    |
| Absolute Pull Range ( <i>ordering option</i> )<br><i>over operating temperature, aging, and power supply variations</i> | APR                                | ±50<br>±80<br>±100 |                |                         | ppm            |
| Test Conditions for APR (+5.0 V option)   | V <sub>C</sub>                     | 0.5                |                | 4.5                     | V              |
| Test Conditions for APR (+3.3 V option)   | V <sub>C</sub>                     | 0.3                |                | 3.0                     | V              |
| Gain Transfer   |                                    |                    | Positive       |                         |                |
| Phase Detector Gain<br>+5V option<br>+3.3V option   |                                    |                    | 0.53<br>0.35   |                         | rad/V<br>rad/V |
| Operating temperature ( <i>ordering option</i> )  |                                    |                    | 0/70 or -40/85 |                         | °C             |
| Control Voltage Leakage Current   | I <sub>Vcxo</sub>                  |                    |                | ±1                      | uA             |

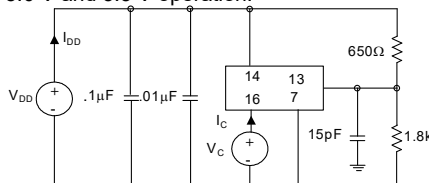
1. A 0.01uF and 0.1uF parallel capacitor should be located as close to pin 14 as possible (and grounded).

2. Figure 2 defines these parameters. Figure 3 illustrates the equivalent five gate TTL load and operating conditions under which these parameters are tested and specified. Loads greater than 15 pF will adversely effect rise/fall time as well as symmetry.

3. Symmetry is defined as (ON TIME/PERIOD with V<sub>s</sub>=1.4 V for both 5.0 V and 3.3 V operation).



**Figure 2. Output Waveform**



**Figure 3. OUT1, OUT2, RCLK, RDATA Test Conditions (25±5°C)**

## Absolute Maximum Ratings

Stresses in excess of the absolute maximum ratings can permanently damage the device. Functional operation is not implied at these or any other conditions in excess of conditions represented in the operational sections of this data sheet. Exposure to absolute maximum ratings for extended periods may adversely affect device reliability.

| <b>Table 2. Absolute Maximum Ratings</b> |                                    |                                 |             |
|--|------------------------------------|---------------------------------|-------------|
| <b>Parameter</b>                         | <b>Symbol</b>                      | <b>Ratings</b>                  | <b>Unit</b> |
| Power Supply                             | V <sub>DD</sub>                    | 7                               | Vdc         |
| Storage Temperature                      | T <sub>storage</sub>               | -55/125                         | °C          |
| Soldering Temperature/Duration           | T <sub>PEAK</sub> / t <sub>p</sub> | 260 / 40                        | °C/sec      |
| Clock and Data Input Range               | CLKIN, DATAIN                      | Gnd-0.5 to V <sub>DD</sub> +0.5 | V           |

## Reliability

The CD-700 is capable of meeting the following qualification tests.

| <b>Table 3. Environmental Compliance</b> |                                       |
|--|---------------------------------------|
| <b>Parameter</b>                         | <b>Conditions</b>                     |
| Mechanical Shock                         | MIL-STD-883, Method 2002              |
| Mechanical Vibration                     | MIL-STD-883, Method 2007              |
| Solderability                            | MIL-STD-883, Method 2003              |
| Gross and Fine Leak                      | MIL-STD-883, Method 1014, 100% Tested |
| Resistance to Solvents                   | MIL-STD-883, Method 2016              |

## Handling Precautions

Although ESD protection circuitry has been designed into the the CD-700, proper precautions should be taken when handling and mounting. VI employs a Human Body Model (HBM) and a Charged Device Model (CDM) for ESD susceptibility testing and design protection evaluation. ESD thresholds are dependent on the circuit parameters used to define the model.

| <b>Table 4. Predicted ESD Ratings</b> |                |                          |
|---------------------------------------|----------------|--------------------------|
| <b>Model</b>                          | <b>Minimum</b> | <b>Conditions</b>        |
| Human Body Model                      | 1500 V         | MIL-STD 883, Method 3015 |
| Charged Device Model                  | 1000 V         | JESD 22-C101             |

## CD-700 Theory of Operation

### Phase Detector

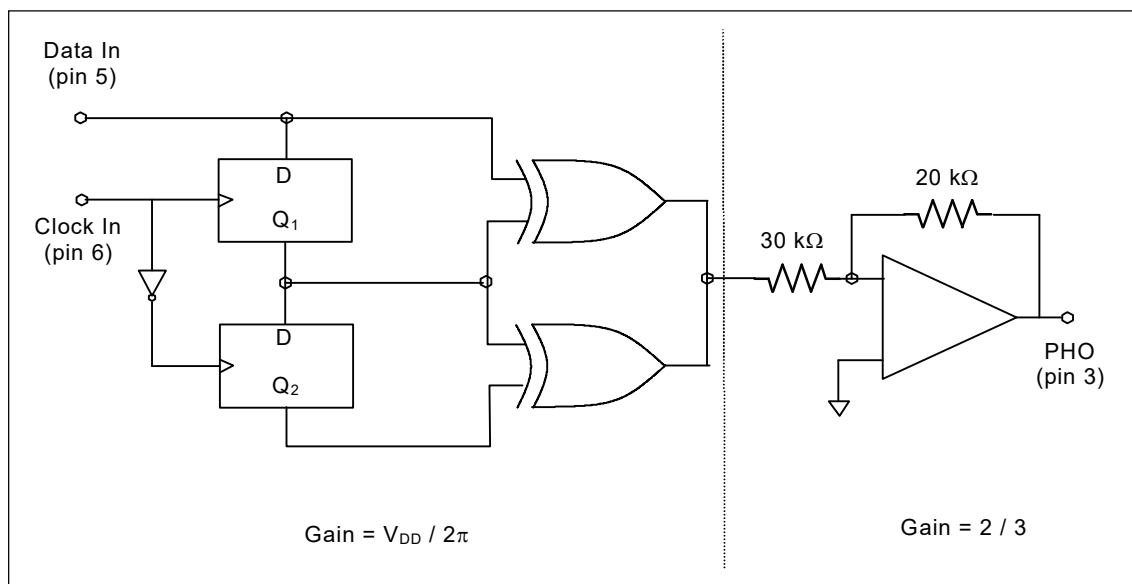
The phase detector has two buffered inputs (DATAIN and CLKIN) which are designed to switch at 1.4 volts. DATAIN is designed to accept an NRZ data stream but may also be used for clock signals which have a 50% duty cycle. CLKIN is connected to OUT1 or OUT2, or a divided version of one of these outputs. CLKIN and DATAIN are protected by ESD diodes and should not exceed the power supply voltage or ground by more than a few hundred millivolts.

The phase detector is basically a latched flip flop/exclusive-or gate/differential amplifier filter design to produce a DC signal proportional to the phase between the CLKIN and DATAIN signals (see Figure 4 for a block diagram and Figure 5 for an open loop transfer curve). This will simplify the PLL design as the designer does not have to filter narrow pulse signals to a DC level. Under locked conditions the rising edge of CLKIN will be centered in the middle of the DATAIN signal (see Figure 6).

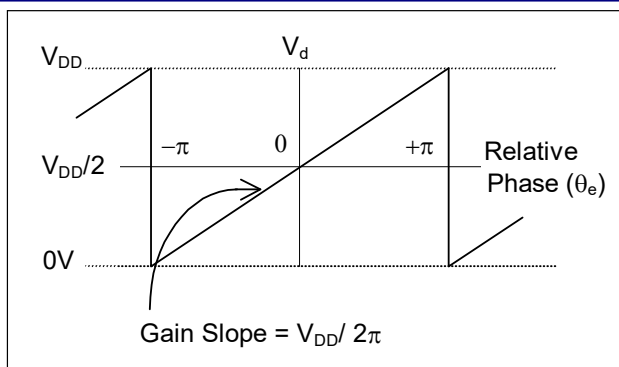
The phase detector gain is  $0.53V/\text{rad} \times \text{data density}$  for 5volt operation and  $0.35V/\text{rad} \times \text{data density}$  for 3.3 volt operation. Data density is equal to 1.0 for clock signals and is system dependent on coding and design for NRZ signals, but 0.25 could be used as a starting point for data density.

The phase detector output is a DC signal for DATAIN frequencies greater than 1 MHz but produces significant ripple when inputs are less than 200 kHz. Additional filtering is required for lower input frequencies applications such as 8kHz (see Figures 8 and 9 as examples).

Under closed loop conditions the active filter has a blocking capacitor which provides a very high DC gain, so under normal locked conditions and input frequencies  $>1$  MHz, PHO will be about  $V_{DD}/2$  and will not vary significantly with changes in input frequency (within lock range). The control voltage (pin 16) will vary according to the input frequency offset, but PHO will remain relatively constant.



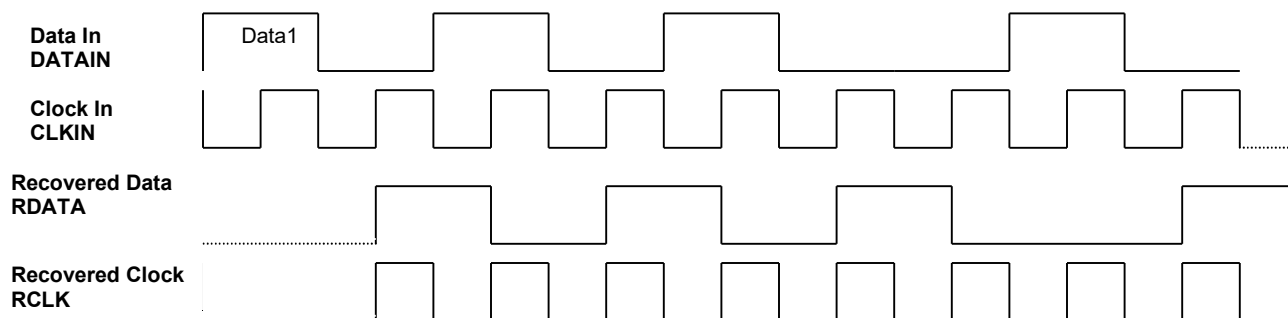
**Figure 4. Simplified Phase Detector Block Diagram**



**Figure 5. Open Loop Phase Detector Transfer Curve**

## Recovered Clock and Data Alignment Outputs

The CD-700 is designed to recover an embedded clock from an NRZ data signal and retime it with a data pattern. In this application, the VCXO frequency is exactly the same frequency as the NRZ data rate and the outputs are taken off Pin 9 (RCLK), and Pin 10 (RDATA). Under locked conditions, the falling edge of RCLK is centered in the RDATA pattern. Also, there is a 1.5 clock cycle delay between DATAIN and RDATA. Figure 6 shows the relationship between the DATAIN, CLKIN, RDATA and RCLK.



**Figure 6. Clock and Data Timing Relationships for the NRZ data**

Other RZ encoding schemes such as Manchester or AMI can be accommodated by using a CD-700 at twice the baud rate.

## Loss of Signal, LOS and LOSIN

The LOS circuit provides an output alarm flag when the DATAIN input signal is lost. The LOS output is normally a logic low and is set to a logic high after 256 consecutive clock periods on CLKIN with no detected DATAIN transitions. This signal can be used to either flag external alarm circuits and/or drive the CD-700's LOSIN input. When LOSIN is set to a logic high, the VCXO control voltage (pin 16) is switched to an internal voltage which sets OUT1 and OUT2 to center frequency +/-75ppm. Also, LOS automatically closes the op amp feedback which means the op-amp is a unity gain buffer and will produce a DC voltage equal to the +op amp voltage (pin 15), usually  $V_{DD}/2$ .

## VCXO and Absolute Pull Range (APR) Specification

## CD-700, VCXO Based PLL

---

The CD-700's VCXO is a varactor tuned crystal oscillator, which produces an output frequency proportional to the control voltage (pin 16). The frequency deviation of the CD-700 VCXO is specified in terms of Absolute Pull Range (APR). APR provides the user with a guaranteed specification for minimum available frequency deviation over all operating conditions. Operating conditions include power supply variation, operating temperature range, and differences in output loading and changes due to aging.

**A CD-700 VCXO with an APR of +/-50 ppm will track a +/-50 ppm reference source over all operating conditions.** The fourth character of the product code in Table 7 specifies absolute Pull Range (APR). Please see Vectron's web site ([www.vectron.com](http://www.vectron.com)) for the APR Application Note.

APR is tested at 0.5 and 4.5 volts for the 5.0 volt option and 0.3 and 3.0 volts for the 3.3 volt option.

### VCXO Aging

Quartz oscillators typically exhibit a part per million shift in output frequency during aging. The major factors, which lead to this shift, are changes in the mechanical stress on the crystal and mass-loading on the crystal.

As the oscillator ages, relaxation of the crystal mounting stress or transfer of environmental stress through the package to the crystal mounting arrangement can lead to frequency variations. VI has minimized these two effects through the use of a miniature AT-cut strip resonator crystal which allows a superior mounting arrangement. This results in minimal relaxation and almost negligible environmental stress transfer.

VI has eliminated the impact of mass loading by ensuring hermetic integrity and minimizing out-gassing by limiting the number of internal components through the use of ASIC technology. Mass-loading on the crystal generally results in a frequency decrease and is typically due to out-gassing of material within a hermetic package or from contamination by external material in a non-hermetic package.

Under normal operating conditions the CD-700 will typically exhibit 2 ppm aging in the first year of operation. The device will then typically exhibit 1 ppm aging the following year with a logarithmic decline each year thereafter.

### Frequency Divider Feature

The lowest available VCXO OUT1 frequency is 1.000 MHz. To achieve lower frequencies, OUT1 is divided by a  $2^n$  counter ( $n = 1$  to 8) and is the OUT2 frequency. The divider values (2, 4, 8, 16, 32, 64, 128 and 256) are set at the factory, so it is user selectable upon ordering only. In addition, a disabled OUT2 option is also available. To achieve 1.024 MHz, a CD-700 with OUT1 frequency equal to 16.384 MHz and a divider value equal to 16 would be used. Additional external divider circuits can be used to further lower or change the frequency.

### Loop Filter

A PLL is a feedback system which forces the output frequency to lock in both phase and frequency to the input frequency. While there will be some phase error, theory states there is no frequency error. The loop filter design will dictate many key parameters such as jitter reduction, stability, lock range and acquisition time. Be advised that many textbook equations describing loop dynamics, such as capture range are based on ideal systems. Such equations may not be accurate for real systems due to nonlinearities, DC offsets, noise and do not take into account the limited VCXO bandwidth. This section deals with some real world design examples. Also, there is loop filter software on the Vectron web site, plus a full staff of experienced applications engineers who are eager to assist in this process. Common CD-700 PLL applications are shown in Figures 8, 9 (frequency translation), Figure 10 (clock recovery) and Figure 11 (clock smoothing).

Of primary concern to the designer is selecting a loop filter that insures lock-in, stability and provides adequate filtering of the input signal. For low input frequencies, a good starting point for the loop filter bandwidth is 10 Hz (typical). An example would be translating an 8 kHz signal to 44.736 MHz. Figures 8 and 9 show 8kHz to 44.736 MHz and 8kHz to 19.440 MHz frequency translation designs. For high input frequencies, a good starting point for the loop filter bandwidth is 100 ppm times the input frequency.

It's fairly easy to set a low loop bandwidth for large frequency translations such as 8kHz to 44.736MHz, but becomes more difficult for clock smoothing applications such as 19.440 MHz input and 19.440MHz output. In this example,  $100\text{ppm} * 19.440\text{MHz}$  is approximately 2kHz and this loop filter bandwidth may be too high to adequately reject jitter. A good way to resolve this is to lower the DATAIN frequency such as dividing the input frequency down. The loop filter bandwidth becomes lower since  $100\text{ppm} * \text{DATAIN}$  is lowered. Figure 11 shows an example for clock smoothing on a relatively high input frequency signal and maintaining a wide lock range.

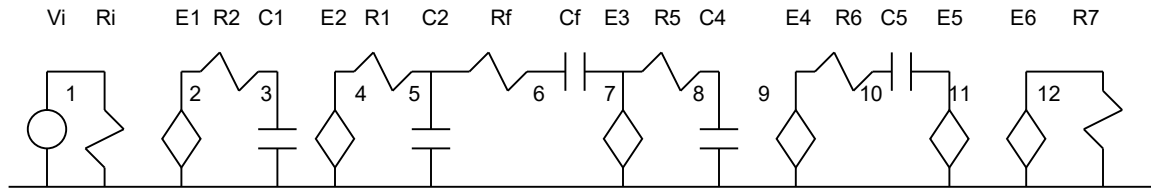
There is no known accurate formula for calculating acquisition time and so the best way to provide realistic figures is to measure the lock time for a CD-700. By measuring the control voltage settling time, acquisition time was measured in the range of 3-5 seconds for applications such as 8kHz to 34.368 MHz frequency translation which is similar to the application in Figures 8 and 9, to sub 10 milliseconds for NRZ data patterns such as Figure 10. It may be tempting to reduce the damping factor to 0.7 or 1.0 in order to improve acquisition time; but, it degrades stability and will not significantly improve acquisition time. A damping factor of 4 is fairly conservative and allows for excellent stability.

Some general guidelines for selecting the loop filter elements include: Values should be less than 1Megohm and at least 10kohm between the PHO and OPN, the capacitor should be low leakage and a polarized capacitor is acceptable, the R/C's should be located physically close to the CD-700. The loop filter software available on the web site was written for 5 volt operation. A simple way to calculate values for 3.3 volt operation is to multiply the data density by 0.66 ( $3.3\text{V} / 5\text{V}$ ).

SPICE models are another design aid. In most cases a new PLL CD-700 design is calculated by using the software and verified with SPICE models. The simple active  $\Pi$  model is shown in Figure 7.

Loop filter values can be modified to suit the system requirements and application. There are many excellent references on designing PLL's, such as "Phase-Locked Loops, Theory, Design and Applications", by Roland E Best (McGraw-Hill).

Figure 7. SPICE Model



\*\*\*\*\*CD-700 ac Loop model

vi 1 0 ac 1  
ri 1 0 1k

\*\*\*\*\*Phase Detector

e1 2 0 1 0 1 (for closed loop response use: e1 2 0 1 12 1)  
r2 2 3 30k  
c1 3 0 60p

\*\*\*\*\*Phase Detector Gain=0.53 x Data Density (Data Density = 1 for clocks) for 5 volt operation and = 0.35 x Data Density for 3.3 volt operation

e2 4 0 3 0 **.35**

\*\*\*\*\*Loop filter

r1 4 5 **60k**  
c2 5 0 10p  
rf 5 6 **90k**  
cf 6 7 **1.0u**  
e3 7 0 5 0 -10000

\*\*\*\*\* VCXO, Input Bandwidth=50kHz

r5 7 8 160k  
c4 8 0 20p

\*\*\*\*\*VCXO Gain x 2 $\pi$  (Example: 19.440 MHz x 100 ppm x 2 x  $\pi$ )

e4 9 0 8 0 12214

\*\*\*\*\*1/S model

r6 9 10 1000  
c5 10 11 0.001u  
e5 11 0 10 0 -1e<sup>6</sup>

\*\*\*\*\*Divide by n

e6 12 0 11 0 1  
r7 12 0 1k

The bold numbers are user selectable R and C values that will vary depending on the application (see Figure 11).



## Layout Considerations

To achieve stable, low noise performance good analog layout techniques should be incorporated and a partial list is shown below.

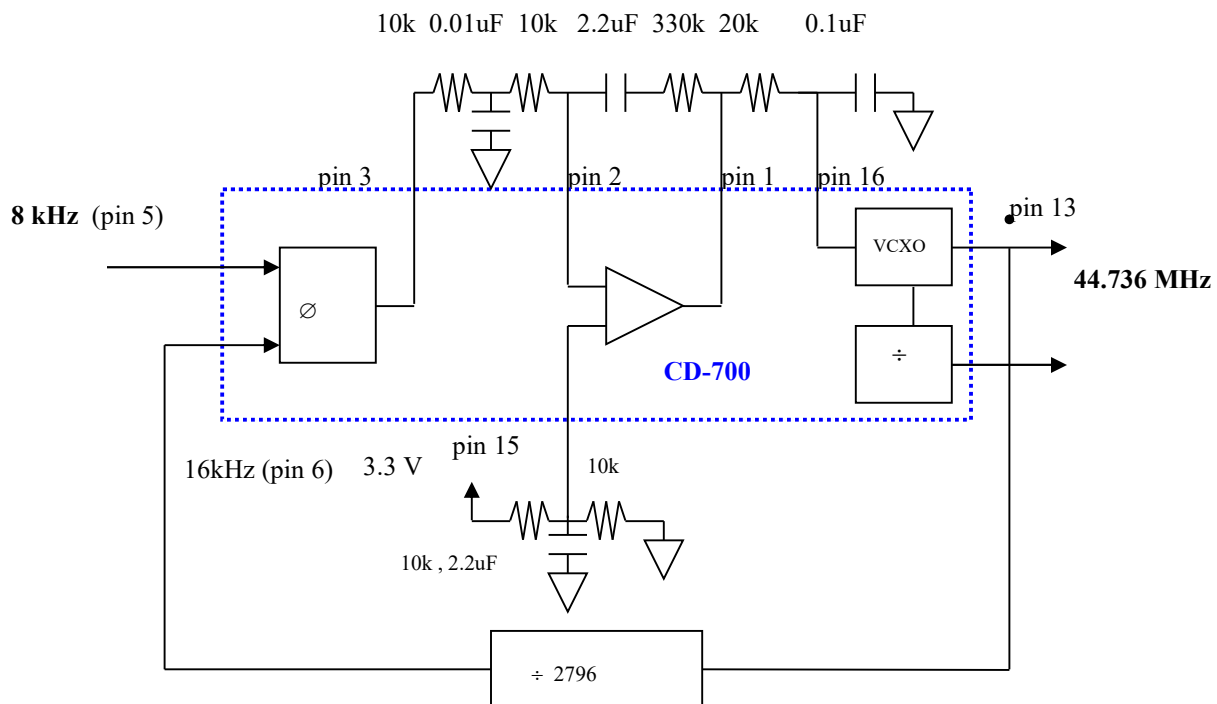
The CD-700 should be treated more like an analog device and the power supply must be well decoupled with a good quality RF 0.01 uF capacitor in parallel with a 0.1 uF capacitor, located as close to pin 14 as possible and connected to ground. In some cases, a  $\Pi$  filter such as a large capacitor (10uF) to ground, a series ferrite bead or inductor with 0.01 uF and 100 pF capacitor to ground to decouple the device supply.

The traces for the OUT1, OUT2, RCLK and RDATA outputs should be kept as short as possible. It is common practice to use a series resistor ( 50 to 100 ohms ) in order to reduce reflections if these traces are more than a couple of inches long. Also OUT1, OUT2, RCLK and RDATA should not be routed directly underneath the device.

The op-amp loop filter components should be kept as close to the device as possible and the feedback capacitor should be located close to the op-amp input terminal. The loop filter capacitor(s) should be low leakage (polarized capacitors are allowed).

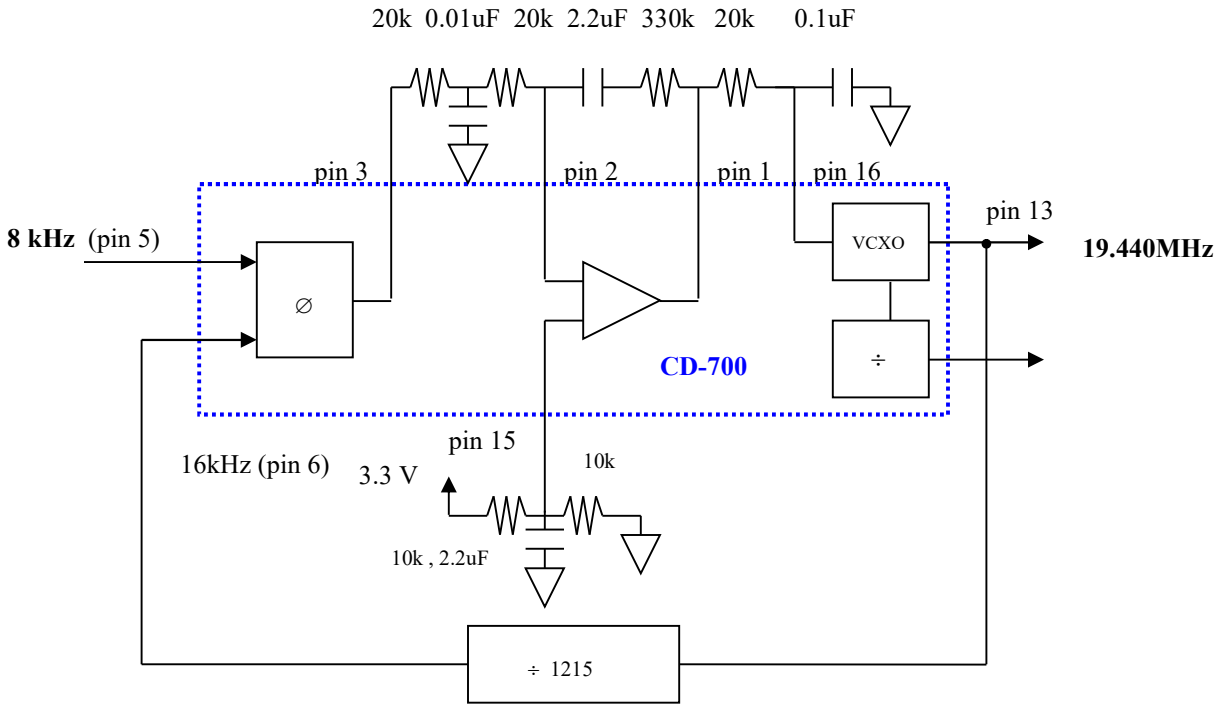
Unused outputs should be left floating and it is not required to load or terminate them (such as an ECL or PECL output). Loading unused outputs will only increase current consumption.

## Application Circuits

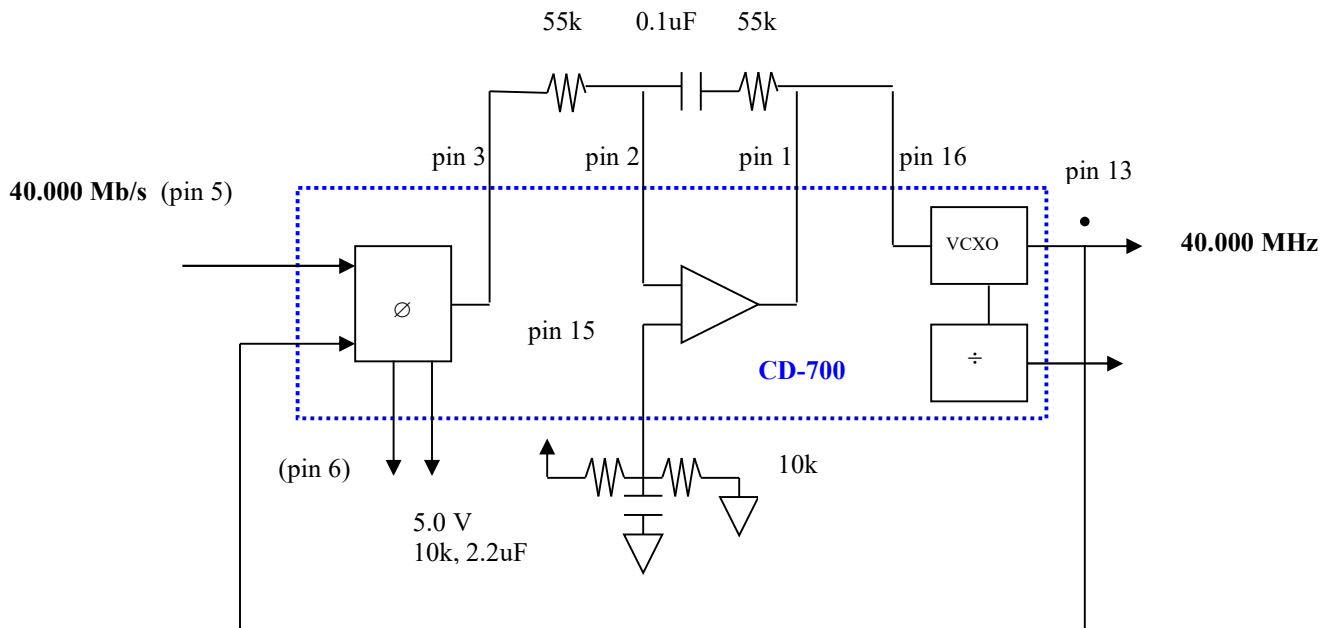


**Figure 8. 8kHz to 44.736 MHz Frequency Translation**

# CD-700, VCXO Based PLL



**Figure 9. 8kHz to 19.44MHz Frequency Translation**



**Figure 10. 40.000 MHz NRZ Clock Recovery**

## CD-700, VCXO Based PLL

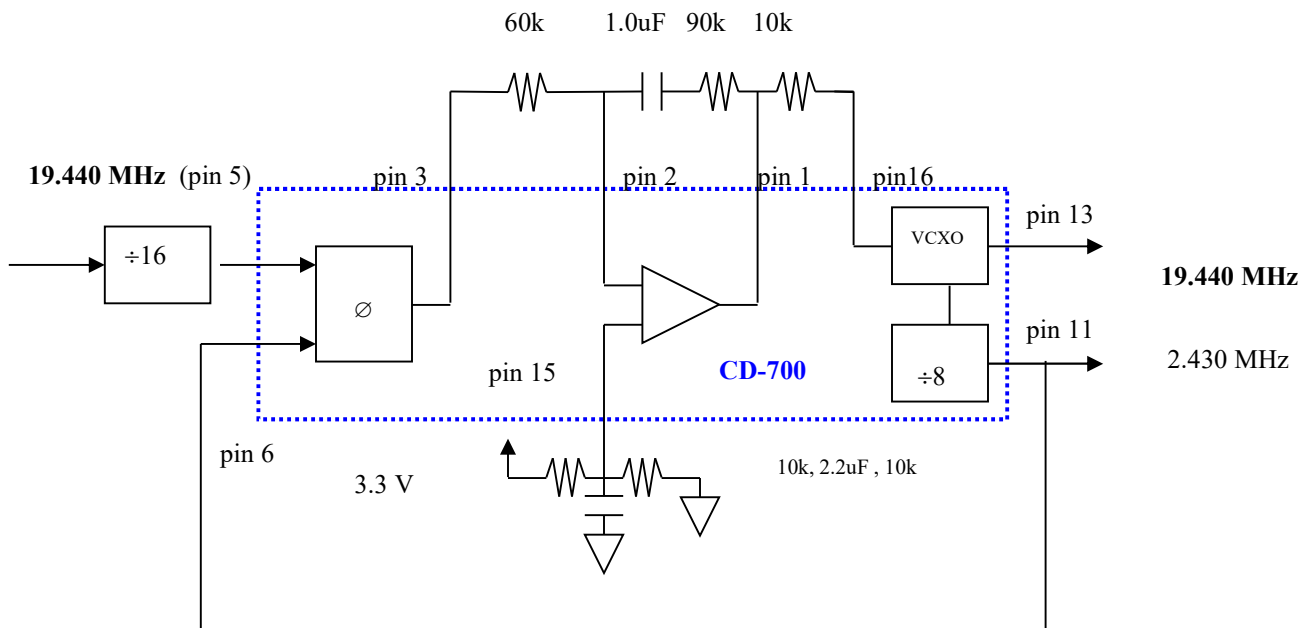


Figure 11. 19.440 MHz Clock Smoothing

Table 5. Reflow Profile (IPC/JEDEC J-STD-020C)

| Parameter                | Symbol      | Value                   |
|--------------------------|-------------|-------------------------|
| PreHeat Time             | $t_s$       | 60 sec Min, 180 sec Max |
| Ramp Up                  | $R_{UP}$    | 3 °C/sec Max            |
| Time Above 217 °C        | $t_L$       | 60 sec Min, 150 sec Max |
| Time To Peak Temperature | $t_{AMB-P}$ | 480 sec Max             |
| Time At 260 °C           | $t_P$       | 20 sec Min, 40 sec Max  |
| Ramp Down                | $R_{DN}$    | 6 °C/sec Max            |

The device has been qualified to meet the JEDEC standard for Pb-Free assembly. The temperatures and time intervals listed are based on the Pb-Free small body requirements. The temperatures refer to the topside of the package, measured on the package body surface. The CD-700 device is hermetically sealed so an aqueous wash is not an issue.

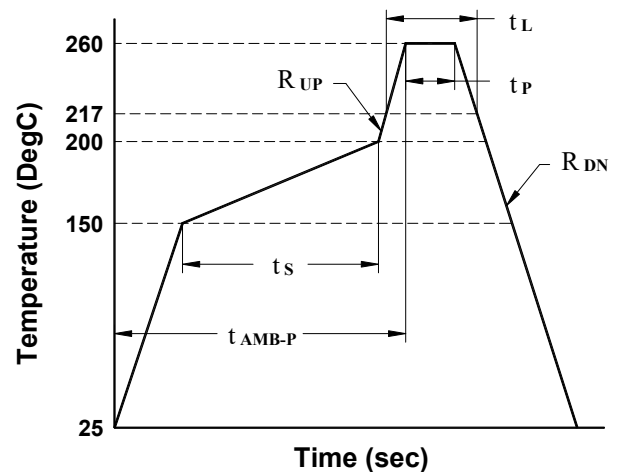
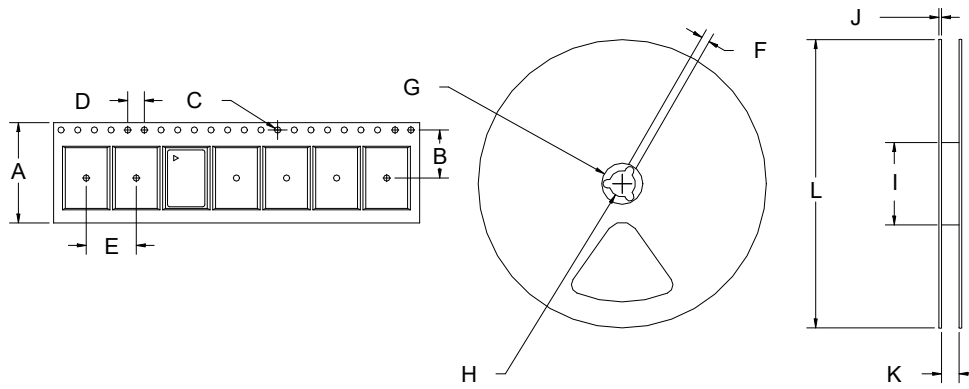


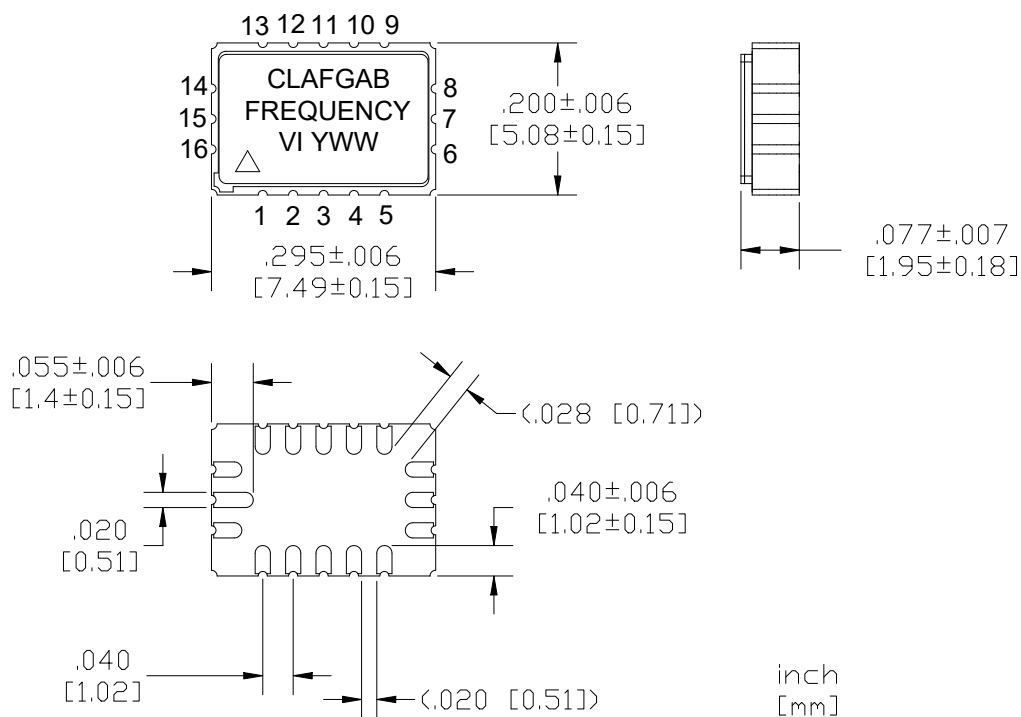
Figure 12. Suggested IR profile



| Table 6. Tape and Reel Information |     |     |   |   |                      |      |    |    |   |      |     |     |            |
|------------------------------------|-----|-----|---|---|----------------------|------|----|----|---|------|-----|-----|------------|
| Tape Dimensions (mm)               |     |     |   |   | Reel Dimensions (mm) |      |    |    |   |      |     |     | #/<br>reel |
| A                                  | B   | C   | D | E | F                    | G    | H  | I  | J | K    | L   |     |            |
| 16                                 | 7.5 | 1.5 | 4 | 8 | 1.5                  | 20.2 | 13 | 50 | 6 | 16.4 | 178 | 500 |            |

Figure 13. Tape and Reel

## CD-700, VCXO Based PLL



**Figure 14. Outline Diagram**

| Table 7. Pin Functions |                 |  |
|------------------------|-----------------|--|
| Pin                    | Symbol          | Function   |
| 1                      | OPOUT           | Op-Amp Output  |
| 2                      | OPN             | Op-Amp Negative Input  |
| 3                      | PHO             | Phase detector Output  |
| 4                      | LOSIN           | INPUT (Used with LOS)<br>Logic 0, VCXO control voltage is enabled.<br>Logic 1, VCXO control voltage (pin 16) is disabled and OUT1 and OUT2 are within +/-75 ppm of center frequency<br>Has Internal pull-down resistor         |
| 5                      | DATAIN          | Phase detector Input signal (TTL switching thresholds)   |
| 6                      | CLKIN           | Phase detector Clock signal (TTL switching thresholds)   |
| 7                      | GND             | Cover and Electrical Ground  |
| 8                      | LOS             | OUTPUT (Used with LOSIN)<br>Logic 1 if there are no transitions detected at DATAIN after 256 clock cycles at CLKIN. As soon as a transition occurs at DATAIN, LOS is set to a logic low.<br>Logic 0 = Input frequency detected |
| 9                      | RCLK            | Recovered Clock  |
| 10                     | RDATA           | Recovered Data   |
| 11                     | OUT2            | Divided-down VCXO Output, or Disabled  |
| 12                     | HIZ             | INPUT<br>Logic 0, OUT1, OUT2, RCLK, RDATA are set to a high impedance state.<br>Logic 1, OUT1, OUT2, RCLK, RDATA are active.<br>Has Internal pull-up resistor  |
| 13                     | OUT1            | VCXO Output  |
| 14                     | V <sub>DD</sub> | Power Supply Voltage (3.3 V ±10% or 5.0 V ±10%)  |
| 15                     | OPP             | Op-Amp Positive Input  |
| 16                     | V <sub>C</sub>  | VCXO Control Voltage   |

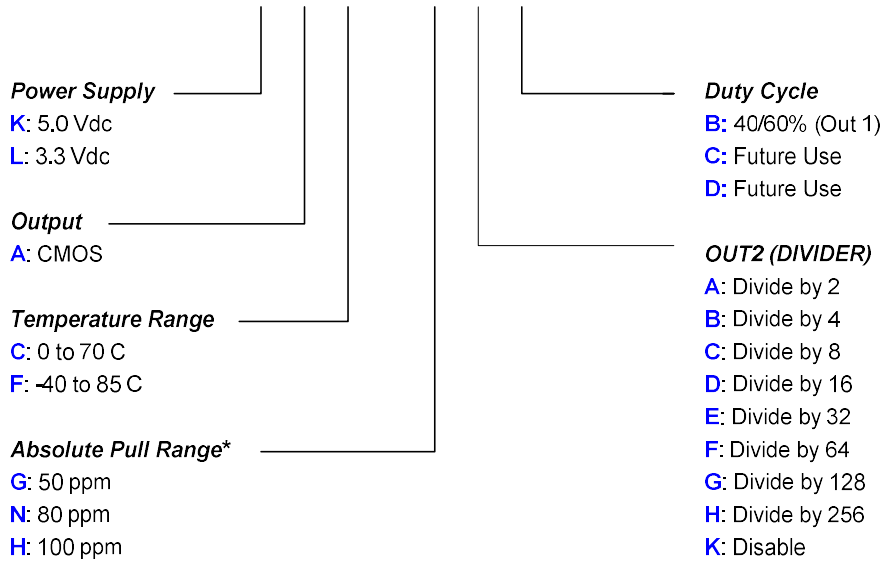
## Ordering Information

| Table 8. Standard OUT1 Frequencies (MHz) |        |         |        |        |        |        |        |        |        |
|--|--------|---------|--------|--------|--------|--------|--------|--------|--------|
| 12.000                                   | 12.288 | 12.352  | 12.624 | 13.000 | 16.000 | 16.384 | 19.440 | 20.000 | 20.480 |
| 24.576                                   | 24.704 | 25.000  | 27.000 | 28.704 | 30.000 | 30.720 | 32.000 | 32.768 | 34.368 |
| 35.328                                   | 38.880 | 39.3216 | 40.000 | 40.960 | 44.736 | 49.152 | 51.840 | 54.000 | 60.000 |
| 61.440                                   | 62.208 | 62.500  | 64.152 | 64.128 | 65.536 | 77.760 |        |        |        |
|  |        |         |        |        |        |        |        |        |        |
|  |        |         |        |        |        |        |        |        |        |

Other frequencies may be available upon request

**Table 9. Part Number Ordering Information**

**CD-700- L A C - G A B - XX.XXX** (frequency in MHz)



\*Note: At higher frequencies, maximum APR options may be limited. Please consult with the factory for details

### For Additional Information, Please Contact:

#### **USA:**

100 Watts Street  
Mt Holly Springs, PA 17065  
Tel: 1.717.486.3411  
Fax: 1.717.486.5920

#### **Europe:**

Landstrasse  
74924 Neckarbischofsheim  
Germany  
Tel: +49 (0) 7268.801.0  
Fax: +49 (0) 7268.801.281



Information contained in this publication regarding device applications and the like is provided only for your convenience and may be superseded by updates. It is your responsibility to ensure that your application meets with your specifications. MICROCHIP MAKES NO REPRESENTATION OR WARRANTIES OF ANY KIND WHETHER EXPRESS OR IMPLIED, WRITTEN OR ORAL, STATUTORY OR OTHERWISE, RELATED TO THE INFORMATION INCLUDING, BUT NOT LIMITED TO ITS CONDITION, QUALITY, PERFORMANCE, MERCHANTABILITY OR FITNESS FOR PURPOSE. Microchip disclaims all liability arising from this information and its use. Use of Microchip devices in life support and/or safety applications is entirely at the buyer's risk, and the buyer agrees to defend, indemnify and hold harmless Microchip from any and all damages, claims, suits, or expenses resulting from such use. No licenses are conveyed, implicitly, or otherwise, under any Microchip intellectual property rights unless otherwise stated.

#### **Trademarks**

The Microchip and Vectron names and logos are registered trademarks of Microchip Technology Incorporated in the U.S.A. and other countries.