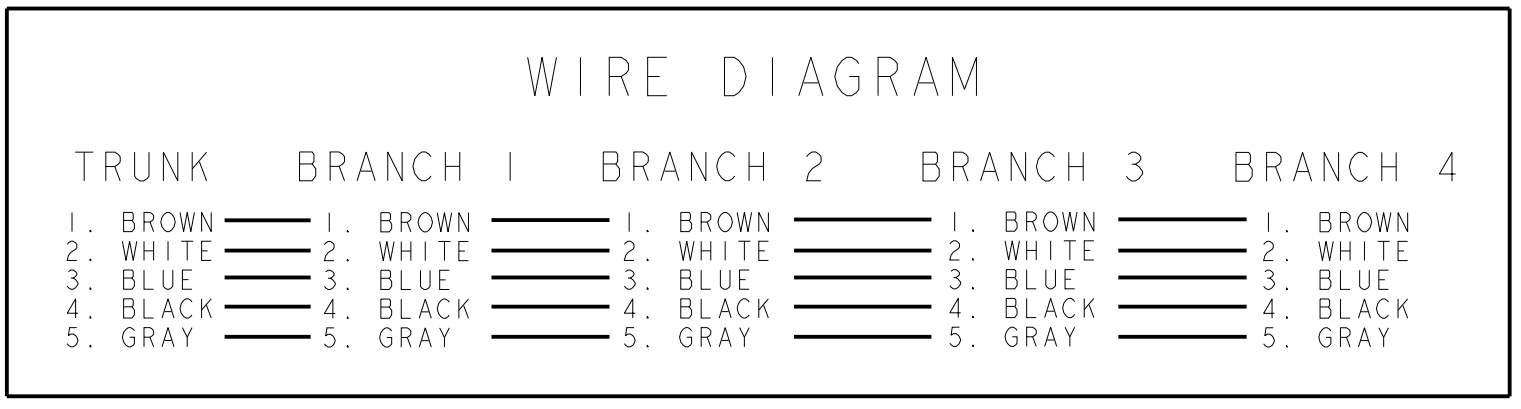
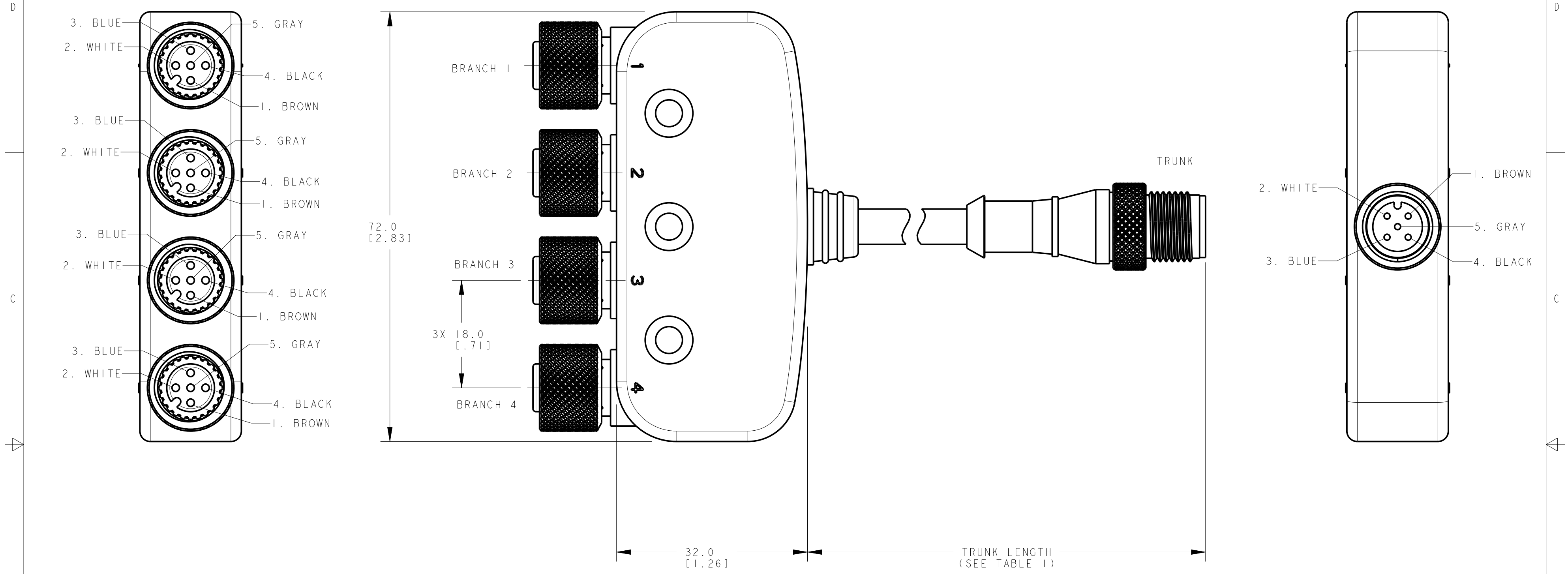


8 7 6 5 4 3 2 1

TABLE 1		
P/N	DESC	TRUNK LENGTH
808663	CSB4-MI251MI250	300+30/-0



NOTES:
 1. ALL DIMENSIONS ARE MILLIMETERS [INCHES] UNLESS OTHERWISE NOTED.
 2. REFER TO "www.bannerengineering.com" FOR ADDITIONAL DATA AND SPECIFICATIONS.

This drawing is the property of BANNER ENGINEERING CORP. Any use or reproduction, in any form, without prior written permission of Banner is prohibited.
 © 2015 Banner Engineering Corp.

THIRD ANGLE PROJECTION

BANNER BANNER ENGINEERING CORP.
 www.bannerengineering.com

TITLE
CSB4-MI25X125X

SIZE C	DRAWING NO. 217059	REV. A
SCALE 2:1		SHEET 1 OF 1

CREO

8 7 6 5 4 3 2 1