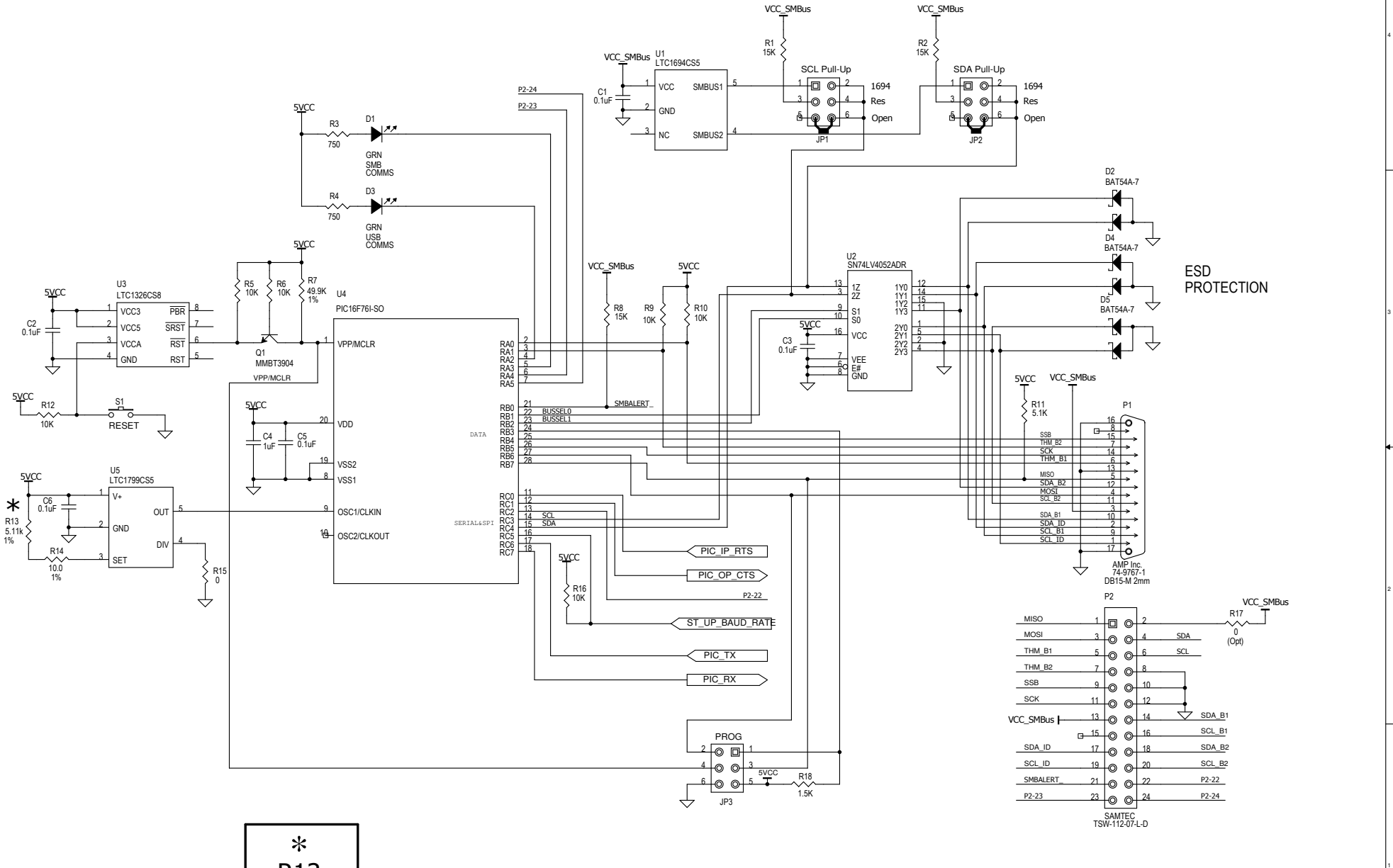


REVISION #				REVISION HISTORY		
SD	PC	FD	AD	DESCRIPTION	DATE	APPROVED
0	0	0	0	1st Release		
3				1. Add "B" Version. 2. Add "JP6". 3. Value Change "R13".	05/28/09	Chuen MT
4				P2-4 (SDA), P2-6 (SCL)	08/11/09	Chuen MT

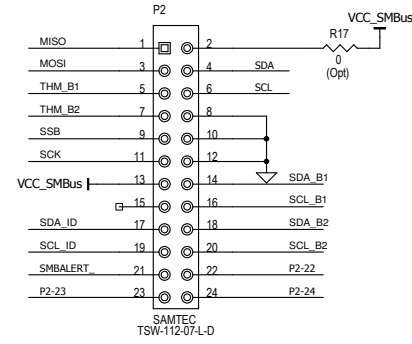


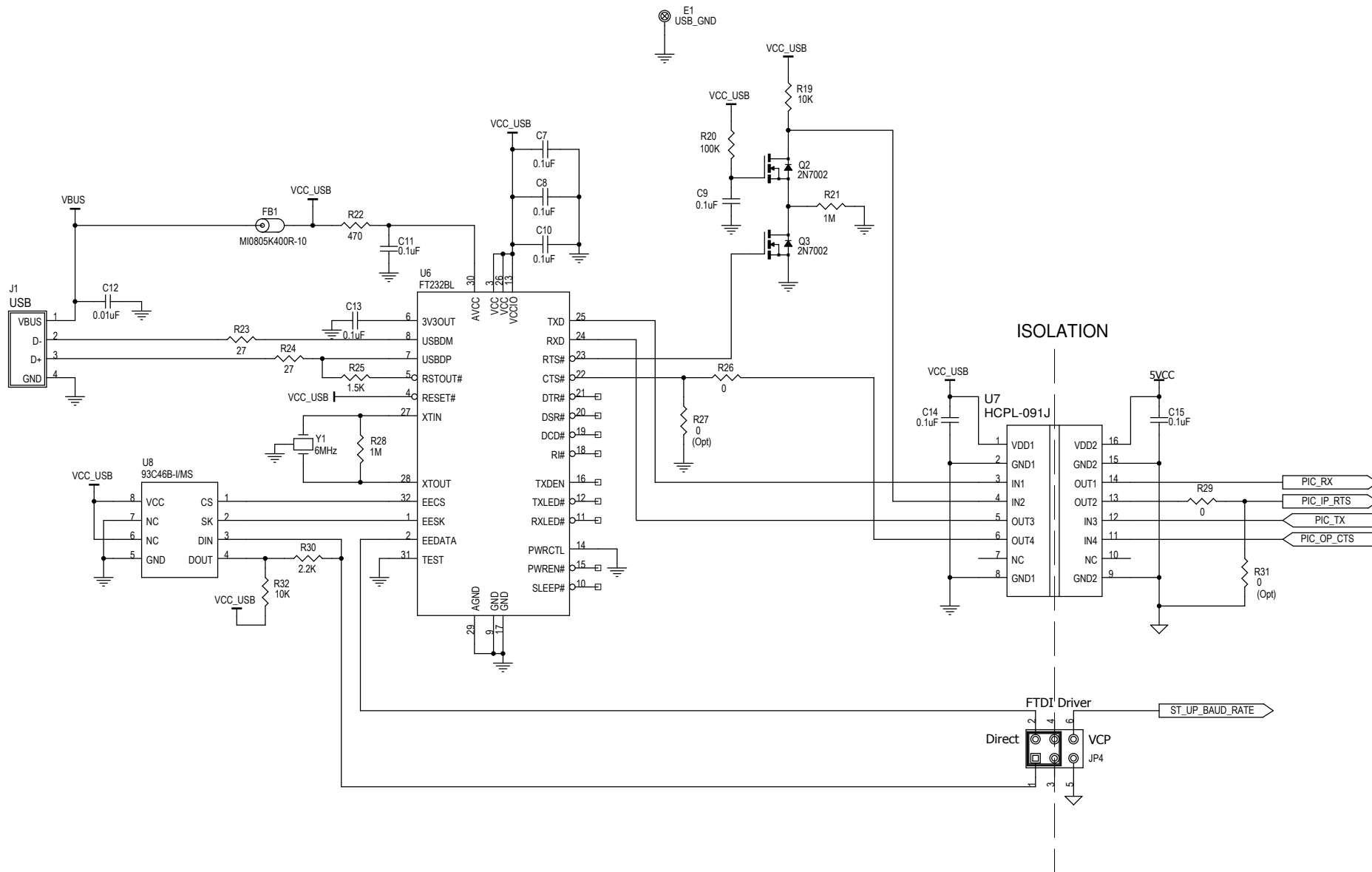
ESD PROTECTION

	*
	R13
DC1223A-A	8.25k
DC1223A-B	5.11k

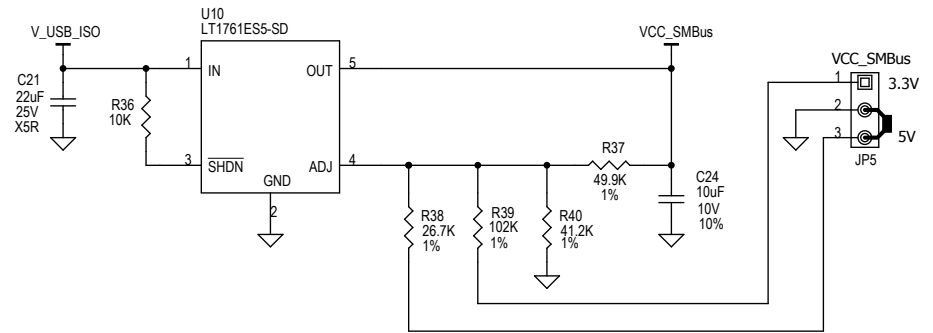
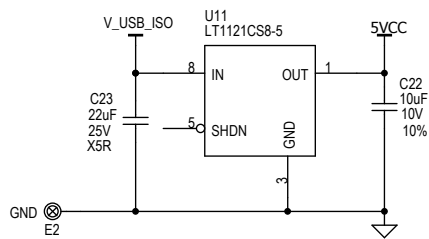
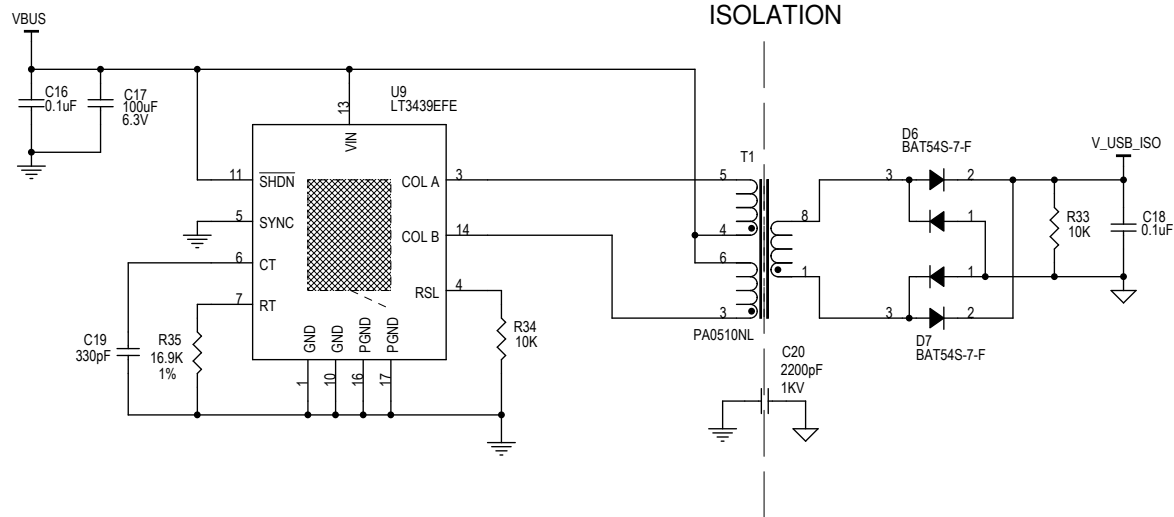
This circuit is proprietary to Linear Technology and supplied for use with Linear Technology parts.
Customer Notice: Linear Technology has made a best effort to design a circuit that meets customer-supplied specifications; however, it remains the customer's responsibility to verify proper and reliable operation in the actual application. Component substitution and printed circuit board layout may significantly affect circuit performance or reliability. Contact Linear Applications Engineering for assistance.

APPROVALS		LINEAR TECHNOLOGY CORPORATION	
DRAWN: <i>Rudy Bautista</i>		1630 McCARTHY BLVD MILPITAS, CA, 95035 (408)432-1900 (408)434-0507 (FAX)	
ENGINEER: David Canny		www.linear.com LTC Confidential - For Customer Use Only	
APPROVED:		Title: USB to SMBus/SPI Interface Board	
CHECKED:		SD Document Number: Demo Circuit 1223A	
Date: Tuesday, August 11, 2009		Rev: 4	





APPROVALS		LINEAR TECHNOLOGY CORPORATION	
DRAWN: Rudy Bautista		1630 McARTHUR BLVD	
ENGINEER: David Canny		MILPITAS, CA. 95035	
APPROVED:		www.linear.com	
CHECKED:		(408)432-1900	
Date: Tuesday, August 11, 2009		(408)434-0507 (FAX)	
		LTC Confidential - For Customer Use Only	
		Title	
		USB to SMBus/SPI Interface Board	
		SD Document Number	
		Demo Circuit 1223A	
		Rev	
		4	
		Sheet 2 of 3	



APPROVALS		LINEAR TECHNOLOGY CORPORATION 1630 McCARTHY BLVD MILPITAS, CA. 95035 (408)432-1900 (408)434-0507 (FAX)		www.linear.com LTC Confidential - For Customer Use Only	
DRAWN: <i>Rudy Bautista</i>				Title USB to SMBus/SPI Interface Board SD Document Number Demo Circuit 1223A	
ENGINEER: David Canny					
APPROVED:					
CHECKED:					
Date: Tuesday, August 11, 2009		Sheet 3 of 3 Rev 4			