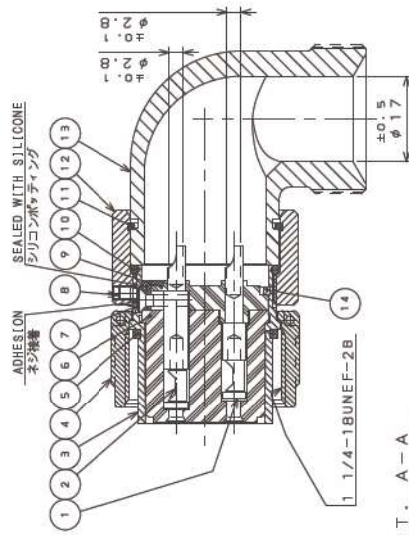
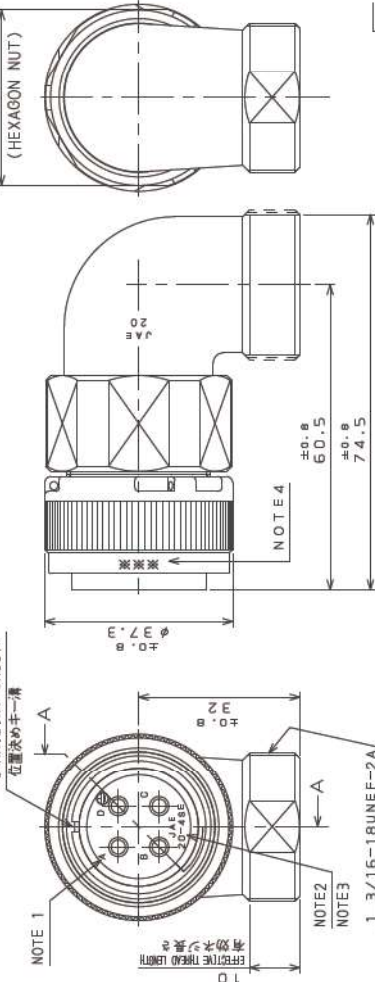


2692111S

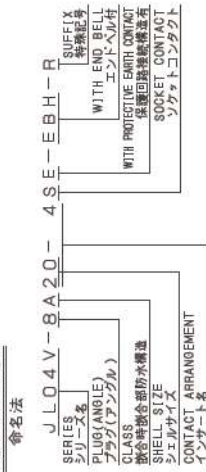
(ON ONIHYRO)台型図
POLARIZING GROOVE
位置決め溝



SECT. A-A

版数 REV.	年月日 DATE	CN NO.	変更内容 DESCRIPTION	製図 DR.	担当 CHK.	発注 APPD.	承認 APPD.

DESIGNATION
命名法



特別管理品目
SPECIAL CONTROL ITEM
TUV

SPECIFICATION

NUMBER OF CONTACT : 4x12
 RATED VOLTAGE : 500VAC (POLLUTION DEGREE:2 / OVER VOLTAGE CATEGORY:II)
 RATED VOLTAGE : 250VAC (POLLUTION DEGREE:3 / OVER VOLTAGE CATEGORY:III)
 RATED CURRENT : 23A MAX. / ONE CONTACT
 DIELECTRIC WITHSTANDING VOLTAGE : 2000VAC(1 MINUTE)
 INSULATION RESISTANCE : 5000MΩ MIN. (AT 500VDC)
 APPLICABLE WIRE : 3.5mm² MAX.

仕様

コンタクト: #12コンタクト 4本
 定格電圧: 500VAC(汚染度: 2/過電圧範疇: II)
 定格電圧: 250VAC(汚染度: 3/過電圧範疇: III)
 定格電流: 23A以下/1芯
 耐電圧: 2000VAC(1分間)
 絶縁抵抗: 5000MΩ以上(500VDCにて)
 適用電線: 3.5mm²以下

品名	数量	材質	色	備考
1 4 RETAINING RING	1	COPPER ALLOY		COLOR:BLACK SYSTEM INTERFERENCE COLOR
1 3 ANGLE END BELL	1	ALUMINUM ALLOY		COLOR:BLACK SYSTEM INTERFERENCE COLOR
1 2 ASSEMBLY NUT	1	ALUMINUM ALLOY		COLOR:BLACK SYSTEM INTERFERENCE COLOR
1 1 RETAINING RING	1	COPPER ALLOY		COLOR:BLACK SYSTEM INTERFERENCE COLOR
1 0 "O" RING	1	SYNTHETIC RUBBER		NONE
9 REAR INSULATOR	1	SYNTHETIC RESIN		NONE
8 SET SCREW	1	STEEL		NICKEL PLATING
7 SCREW	1	COPPER ALLOY		NICKEL PLATING
6 FRONT INSULATOR	1	SYNTHETIC RESIN		NONE
5 GASKET	1	SYNTHETIC RUBBER		NONE
4 COUPLING NUT	1	ALUMINUM ALLOY		COLOR:BLACK SYSTEM INTERFERENCE COLOR
3 BARREL	1	ALUMINUM ALLOY		COLOR:BLACK SYSTEM INTERFERENCE COLOR
2 CONTACT(EARTH)	1	COPPER ALLOY		SILVER PLATING
1 CONTACT(LINE)	3	COPPER ALLOY		SILVER PLATING

符号	名称	単位	数量	材料	色	備考
JACS-5080 T95-4	仕様書(SPECIFICATION)	張数(SHEET)	1	JACS-5080 T95-4		
DR.	製図	枚数	1	JACS-5080 T95-4		
CHK.	検査	枚数	1	JACS-5080 T95-4		
APPD.	承認	枚数	1	JACS-5080 T95-4		
APPD.	承認	枚数	1	JACS-5080 T95-4		
名称(TITLE)				JACS-5080 T95-4		
JL04V-8A20-4SE-EBH-R				JL04V-8A20-4SE-EBH-R		

NOTE1: CONTACT POSITION NUMBER IS MARKED IN THE AREA SHOWN.
 EARTH MARK (⊕) IS MARKED NEAR BY CONTACT NO. "D".
 2. COMPANY LOGO "JAE" APPEARS IN THE AREA SHOWN.
 3. CONTACT ARRANGEMENT IS MARKED IN THE AREA SHOWN.
 4. PRODUCTION LOT NUMBER ARE MARKED AS INDICATED.
 ※※※ MANUFACTURER MONTH (1~9, X, Y, Z)
 ※※※ MANUFACTURER YEAR ("12", "13", "14", "15", "16", "17", "18", "19", "20", "21", "22", "23")