

Brushed DC Motor

M36N-4E (Ø 38 x 50mm)



Features

Carbon Brush
Weight: 200.0g

Applications

Printer
Sewing Machine

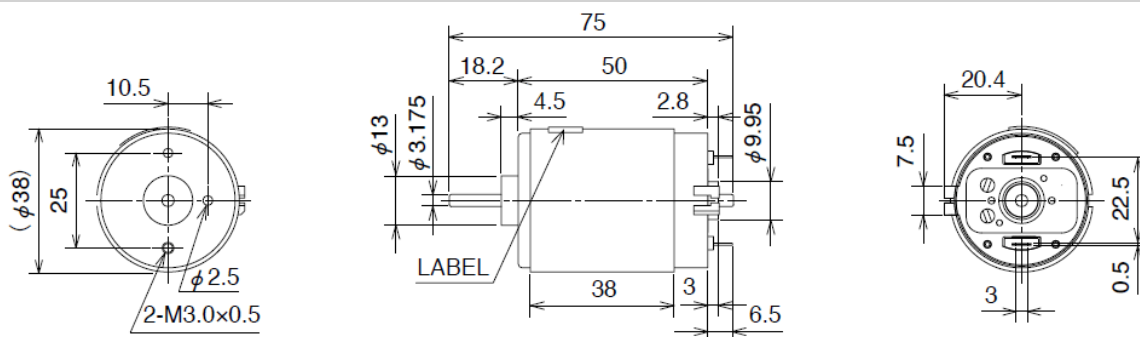


Specifications

MODEL	Voltage		No Load		Rated Load		Rated Load		Starting Torque		Starting Current	Shaft Length
	Operating	Rated	Speed	Current	gf·cm	mN·m	Speed	Current	gf·cm	mN·m	mA	mm
	V	V	min ⁻¹	mA			min ⁻¹	mA				
M36N-4E	12 to 28	24	10300	250	343	33.6	9100	1806	2729	267	12631	*

Characteristics and shaft length can be customized

External Dimensions



Unit:mm

Characteristic Curve

