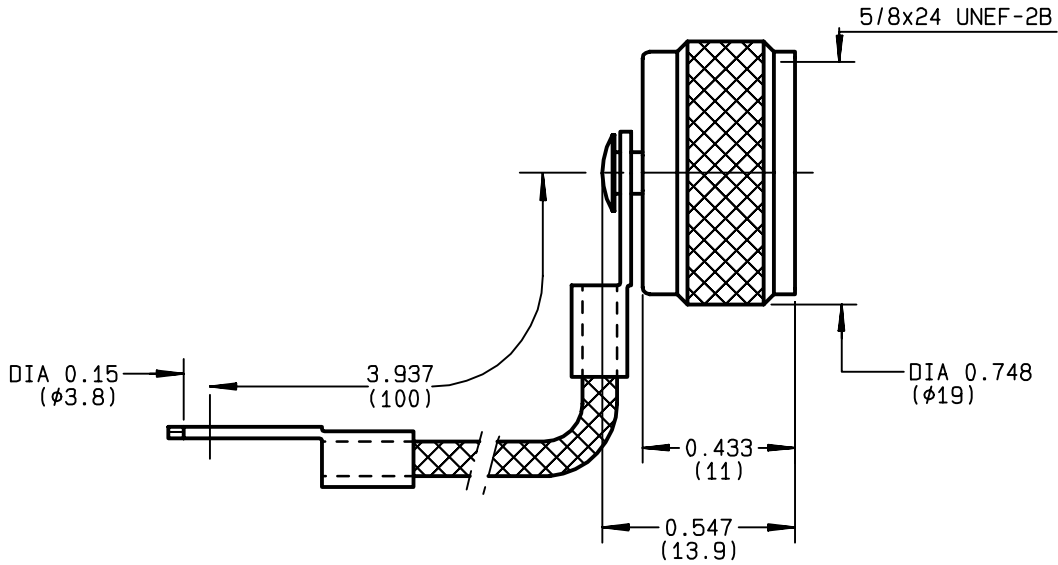


**MALE PROTECTIVE CAP
WITH CORD**

R161.804.000
SERIES N



NOMINAL IMPEDANCE	NA	Ω	CABLES :		
FREQUENCY RANGE	NA	GHz			
TEMPERATURE RATING	-55/+155	$^{\circ}\text{C}$			
V.S.W.R	NA +	x F(GHz)Maxi			
RF INSERTION LOSS	NA	\sqrt{F} (GHz) dB Maxi			
VOLTAGE RATING	NA	Veff Maxi			
DIELECTRIC WITHSTANDING VOLTAGE	NA	Veff Mini			
INSULATION RESISTANCE	NA	M Ω Mini			
HERMETIC SEAL	NA	Atm.cm ³ /s			
LEAKAGE (pressurized only)	NA				
MECHANICAL DURABILITY	500	Cycles	OTHERS CHARACTERISTICS		
WEIGHT	11	gr	CABLE RETENTION	NA	N Mini
SPECIFICATION			CENTER CONTACT RETENTION		
			Axial force - mating end	NA	N Mini
			Axial force - opposite end	NA	N Mini
			Torque	NA	cm.N Mini
			RECOMMENDED TORQUES		
			Mating	130	cm.N
			Panel nut	NA	cm.N
			Clamp nut	NA	cm.N

CONNECTOR PARTS	MATERIALS	FINISH	(all values are given) in micrometers
BODY	BRASS	BBR 2	
OUTER CONTACT			
CENTER CONTACT			
INSULATOR		-	
GASKET	CHLOROPRENE	-	
OTHERS PIECES	BRASS	BBR 2	

ISSUE: 9726E00
CREATION DATE: 17/06/1993
FILE PART-NUMBER:



BONOMINI

The information given here is subject to change without notice.
Design changes may be in order to improve the product .

Connect to the future