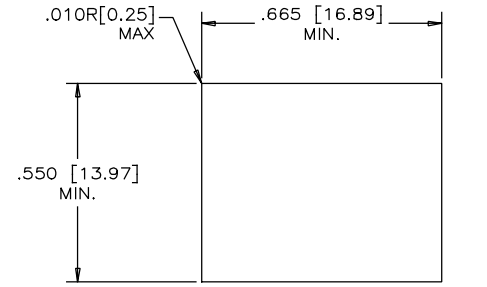
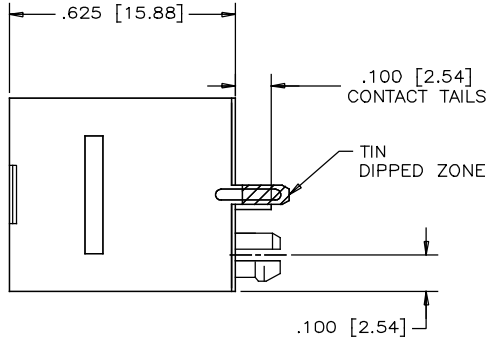
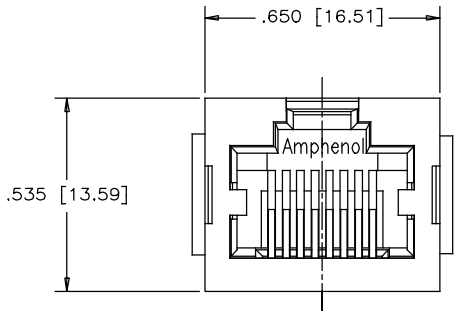
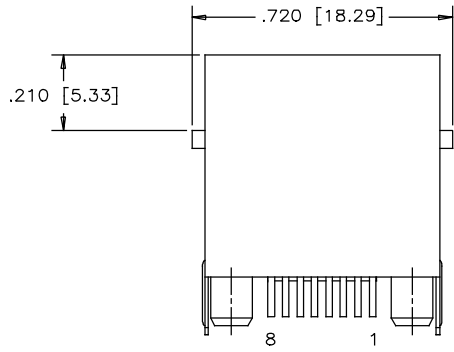


REVISIONS			
REV	DESCRIPTION, ECN, EAR NO.	DATE	APP'D
A	PROPOSAL	MAR17/16	L.CHAN
B	UPDATED SHIELD WITH NOTCH	APR 13/17	L.CHAN



RECOMMENDED PANEL CUTOUT



**MATERIALS:**

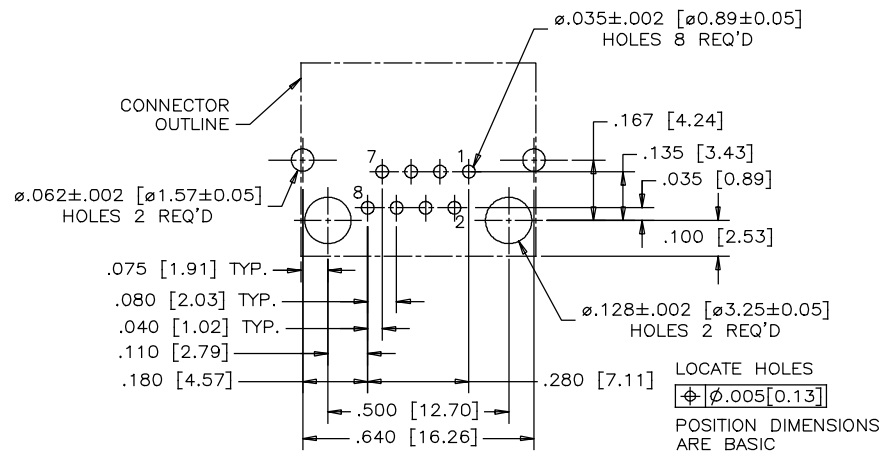
PLASTIC HOUSING: HIGH TEMPERATURE THERMOPLASTIC  
FLAMMABILITY RATING UL 94V-0, COLOR: BLACK

CONTACTS: PHOSPHOR BRONZE  
PLATING: 30 μ" [0.76 MICRONS]  
MIN. GOLD ON MATING SURFACES.  
50 μ" [1.27 MICRONS]  
MIN. NICKEL UNDERPLATE  
100 μ" [2.54 MICRONS]  
MIN. MATTE TIN ON CONTACT TAILS.

SHIELD: STAINLESS STEEL WITH TIN DIPPED ON SOLDER TAILS.

RECOMMENDED SOLDERING TEMPERATURE:  
WAVE SOLDERING TEMPERATURE AT 260°C MAXIMUM  
FOR 5 SEC MAXIMUM.

AMPHENOL PART NUMBER: RJHSE-3M80



RECOMMENDED P.C.B. LAYOUT  
(COMPONENT SIDE OF BOARD)

UNLESS SPECIFIED OTHERWISE		DRAWN	AMY.Z	DATE	MAR17/16	Amphenol Canada Corp. www.amphenolcanada.com	
PRIMARY UNITS	INCH	CHECKED	L.CHAN	DATE	MAR17/16		
SECONDARY UNITS	MILLIMETER	M.E. APP'D				TITLE	
REFERENCE IN PARENTHESES		Q.A. APP'D				SINGLE-PORT HIGH SPEED RJ45 MODULAR JACK, VERTICAL MOUNT, SHIELD WITHOUT TABS AND SHIELD COVER THE LED AREA, WITHOUT LED'S - RoHS COMPLIANT	
GENERAL TOLERANCES		DWG APPR.				DWG. NO.	
1 DECIMAL PLACE	±0.025	ENG. REL. NO.				P-RJHSE-3M80	
2 DECIMAL PLACES	±0.020	REF.					
3 DECIMAL PLACES	±0.015	THIRD ANGLE PROJECTION				REV	
ANGULAR DEGREES	±1.0°	DO NOT SCALE DRAWING				B	
		CODE ID NO.	03554	DWG SIZE:	C	SCALE:	N/A
				SHEET		1 OF 1	

THIS DOCUMENT CONTAINS PROPRIETARY INFORMATION AND SUCH INFORMATION MAY NOT BE DISCLOSED TO OTHERS FOR ANY PURPOSE OR USED FOR MANUFACTURING PURPOSES WITHOUT WRITTEN PERMISSION FROM AMPHENOL CANADA CORP.