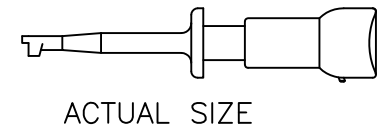
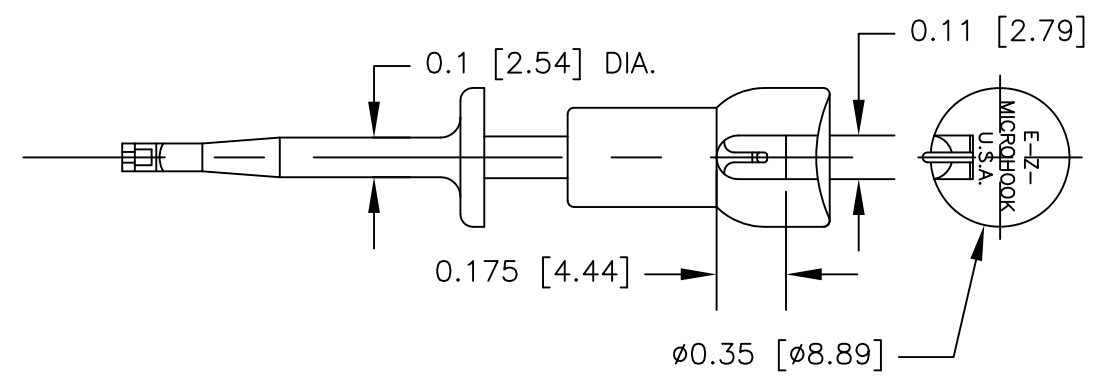
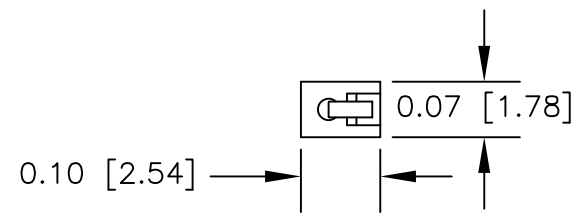
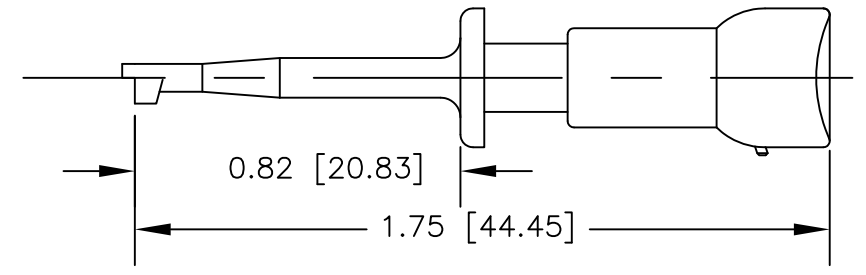
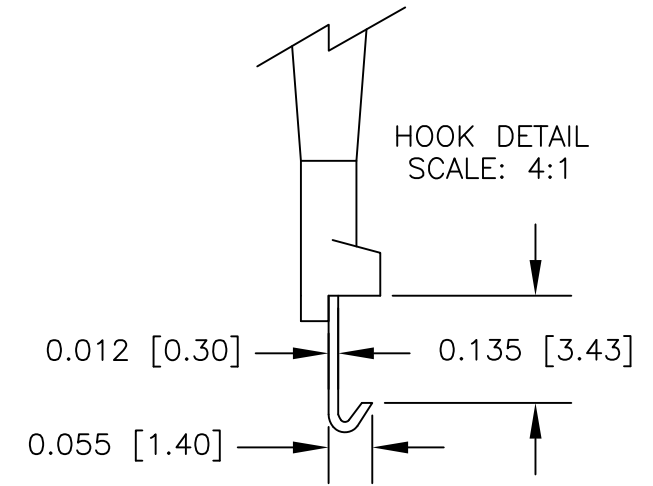
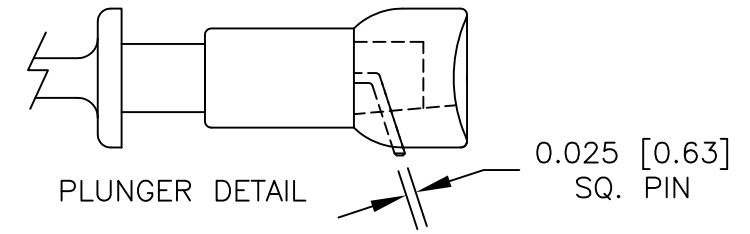


NOTES: UNLESS OTHERWISE SPECIFIED

- CONSTRUCTION:
HOUSING & PLUNGER: NYLON. AVAILABLE IN TEN COLORS.
CONTACT BLADE: GOLD PLATED BeCu.
SPRING: STAINLESS STEEL.
- PERFORMANCE:
MAXIMUM CURRENT: 6.1 AMPS WITH 77° TEMPERATURE RISE.
MAXIMUM VOLTAGE: 3.0 KV
MAXIMUM TEMPERATURE: 200°F (93°C)
- FEATURES:
HOOK FITS COMPONENTS UP TO $\phi 0.045$ [$\phi 1.14$].
PIN PERMITS CONNECTION TO 0.025^2 [0.64^2]
OR $\phi 0.030$ [$\phi 0.76$] SOCKETS.

		REVISIONS	
LTR	DESCRIPTION	DATE	APPROVED



		UNLESS OTHERWISE SPECIFIED DIMENSIONS ARE IN INCHES TOLERANCES ARE: FRACTIONS DECIMALS ANGLES ± .XX ± 0.03 ± .XXX ± 0.032	CONTRACT NO.		E-Z-HOOK DIVISION OF TEKTEST INC. ARCADIA, CA 91006 U.S.A.	
			APPROVALS	DATE		
		MATERIAL SEE NOTE.	DRAWN	R.L. 6/09	DESCRIPTION E-Z-MICRO HOOK WITH 0.025 [0.64] SQUARE PIN	
			APPROVED BY			
		FINISH SEE NOTE.	SIZE	CODE IDENT NO.	DRAWING NO.	REV.
NEXT ASSY	USED ON		B	08505	XM25COLOR	
APPLICATION		DO NOT SCALE DRAWING	SCALE	2:1	SHEET 1 OF 1	