

XPSUAB11CC

Safety module, Harmony Safety Automation,
Cat. 1, potential free NC/NC, NO/NC, PNP/
PNP, 24v AC/DC, spring



Main

| | |
|---------------------------|---|
| Range of Product | Harmony Safety Automation |
| Product or Component Type | Safety module |
| Safety module name | XPSUAB |
| Safety module application | For electrical monitoring of two-hand control stations For application with safety switchover contact For emergency stop, guard and light curtain monitoring Monitoring antivalent contacts |
| Function of module | Emergency stop monitoring 1-channel wiring Guard monitoring 1-channel wiring Monitoring 1 PNP sensor Monitoring two-hand control station type IIIA Magnetic switch monitoring Light curtain monitoring RFID switch Monitoring of electro-sensitive protection equipment (ESPE) Proximity sensor monitoring |
| Safety level | Can reach PL c/category 1 ISO 13849-1 Can reach SILCL 1 IEC 62061 Can reach SIL 1 IEC 61508 |
| Safety reliability data | MTTFd \geq 30 years ISO 13849-1 Dcavg < 60 % ISO 13849-1 PFHd = 1177E-09 1/h ISO 13849-1 HFT = 0 IEC 62061 PFHd = 1177E-09 1/h IEC 62061 SFF > 60% IEC 62061 HFT=0 IEC 61508-1 PFHd = 1177E-09 1/h IEC 61508-1 SFF > 60% IEC 61508-1 Type = B IEC 61508-1 |
| Electrical circuit type | NC pair PNP pair Antivalent pair OSSD pair |
| Connections - terminals | Removable spring terminal block, 0.2...2.5 mm ² solid or flexible Removable spring terminal block, 0.25...2.5 mm ² flexible with ferrule single conductor Removable spring terminal block, 0.2...1.5 mm ² solid or flexible twin conductor Removable spring terminal block, 2 x 0.25...1 mm ² flexible with ferrule without cable end, with bezel Removable spring terminal block, 2 x 0.5...1.5 mm ² flexible with ferrule with cable end, with bezel |
| [Us] Rated Supply Voltage | 24 V AC - 15...10 % 24 V DC - 20...20 % |

Complementary

| | |
|-------------------------------------|----------------------------|
| Synchronisation time between inputs | 0.5 s 2.2 s |
| Type of start | Automatic/manual/monitored |
| Power consumption in W | 1.5 W 24 V DC |
| Power consumption in VA | 3.5 VA 24 V AC 50/60 Hz |
| Input protection type | Internal, electronic |
| Safety outputs | 1 C/O |

| | |
|---|--|
| Safety inputs | 1 |
| Maximum wire resistance | 500 Ohm |
| Input compatibility | Normally closed circuit ISO 14119 XC limit switch ISO 14119 Mechanical contact ISO 14119 Normally closed circuit ISO 13850 Antivalent pair ISO 14119 OSSD pair IEC 61496-1-2 Two-hand control EN 574/ISO 13851-III A 3-wire proximity sensors PNP |
| [Ie] rated operational current | 5 A AC-1 3 A AC-15 5 A DC-1 3 A DC-13 3 A AC-1 1 A AC-15 2 A DC-1 1 A DC-13 |
| Control Outputs | 2 pulsed output |
| Input/output type | Semiconductor pulsed diagnostic output Z1, 20 mA |
| [Ith] conventional free air thermal current | 3 A |
| Associated fuse rating | 6 A gG relay output IEC 60947-1 |
| Minimum output current | 10 mA relay output |
| Minimum output voltage | 15 V relay output |
| Maximum response time on input open | 20 ms |
| [Ui] rated insulation voltage | 250 V 2)EN/IEC 60947-1 |
| [Uimp] rated impulse withstand voltage | 4 kV II EN/IEC 60947-1 |
| Local signalling | For power ON LED (green) For error LED (red) For start LED (yellow) For safety status LED (yellow) For safety input S12 LED (yellow) For safety input S13 LED (yellow) |
| Mounting Support | 35 mm symmetrical DIN rail |
| Depth | 4.72 in (120 mm) |
| Ambient Air Temperature for Operation | -13...131 °F (-25...55 °C) |
| Height | 3.94 in (100 mm) |
| Width | 0.89 in (22.5 mm) |
| Net Weight | 0.44 lb(US) (0.200 kg) |

Environment

| | |
|-------------------------|---|
| Standards | IEC 60947-5-1 IEC 61508-1 functional safety standard IEC 61508-2 functional safety standard IEC 61508-3 functional safety standard IEC 61508-4 functional safety standard IEC 61508-5 functional safety standard IEC 61508-6 functional safety standard IEC 61508-7 functional safety standard ISO 13849-1 functional safety standard IEC 62061 functional safety standard |
| Product Certifications | TÜV cULus |
| IP degree of protection | IP20 terminals)EN/IEC 60529 IP40 housing)EN/IEC 60529 IP54 mounting area)EN/IEC 60529 |
| Relative Humidity | 5...95 % non-condensing |

Ordering and shipping details

| | |
|-----------------------|---------------------------------|
| Category | 22477-SAFETY MODULES (PREVENTA) |
| Discount Schedule | SAF2 |
| GTIN | 3606489601560 |
| Nbr. of units in pkg. | 1 |
| Package weight(Lbs) | 9.21 oz (261.0 g) |

| | |
|-------------------|----|
| Returnability | No |
| Country of origin | ID |

Packing Units

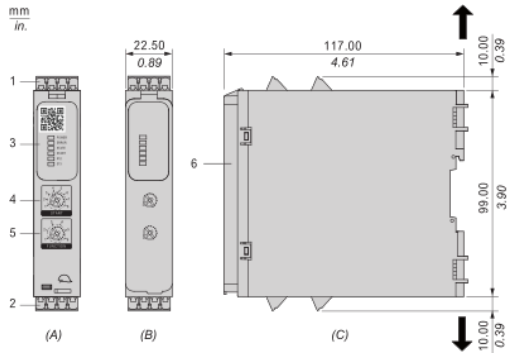
| | |
|------------------------------|-------------------------|
| Unit Type of Package 1 | PCE |
| Package 1 Height | 2.68 in (6.8 cm) |
| Package 1 width | 5.51 in (14 cm) |
| Package 1 Length | 6.10 in (15.5 cm) |
| Unit Type of Package 2 | S03 |
| Number of Units in Package 2 | 16 |
| Package 2 Weight | 10.77 lb(US) (4.884 kg) |
| Package 2 Height | 11.81 in (30 cm) |
| Package 2 width | 11.81 in (30 cm) |
| Package 2 Length | 15.75 in (40 cm) |
| Package 3 Height | 11.81 in (30 cm) |

Offer Sustainability

| | |
|----------------------------|---|
| Sustainable offer status | Green Premium product |
| California proposition 65 | WARNING: This product can expose you to chemicals including: Lead and lead compounds, which is known to the State of California to cause cancer and birth defects or other reproductive harm. For more information go to www.P65Warnings.ca.gov |
| REACH Regulation | REACH Declaration |
| EU RoHS Directive | Pro-active compliance (Product out of EU RoHS legal scope) EU RoHS Declaration |
| Mercury free | Yes |
| RoHS exemption information | Yes |
| China RoHS Regulation | China RoHS Declaration |
| Environmental Disclosure | Product Environmental Profile |
| Circularity Profile | End Of Life Information |
| WEEE | The product must be disposed on European Union markets following specific waste collection and never end up in rubbish bins. |
| PVC free | Yes |

Dimensions

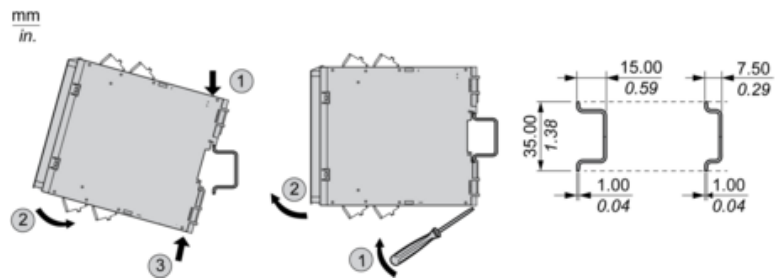
Front and Side Views



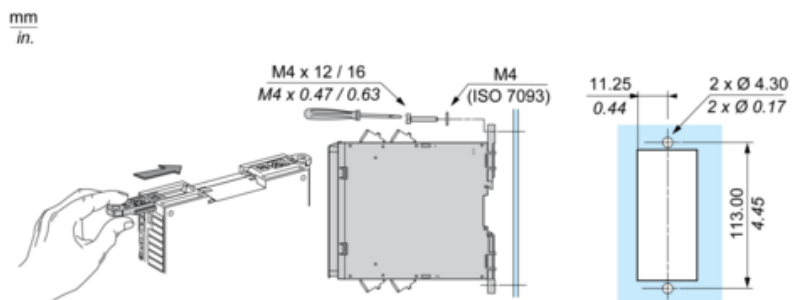
- (A) : Product drawing
- (B) : Spring Terminal
- (C) : Side view
- (1) : Removable terminal blocks, top
- (2) : Removable terminal blocks, bottom
- (3) : LED indicators
- (4) : Start function selector
- (5) : Function selector
- (6) : Sealable transparent cover

| | | | | | | |
|-----------------|------|-----------|------------|-----------|----------|-----------|
| mm | 12.0 | | | | | |
| in. | 0.47 | | | | | |
| mm ² | | 0,2...2,5 | 0,25...2,5 | 0,2...1,5 | 0,25...1 | 0,5...1,5 |
| AWG | | 24...12 | 24...12 | 24...16 | 24...18 | 20...16 |

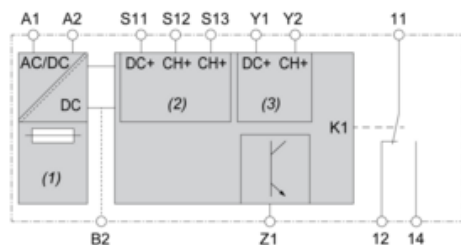
Mounting to DIN rail



Screw-mounting



Wiring Drawing



(1) : A1-A2 (Power supply)

(2) : S11-S12-S13 (Single-channel safety input)

(3) : Y1-Y2 (Start)

11-12-14 : Output

B2 : Common ground terminal

Z1 : Pulsed output for diagnostics, not safety-related