

MATERIALS AND FINISHES

BODY REAR BRASS
PLATED TIN

BODY FRONT BRASS
PLATED NICKEL

CENTER CONTACT PHOSPHOR BRONZE/BRASS
PLATED GOLD

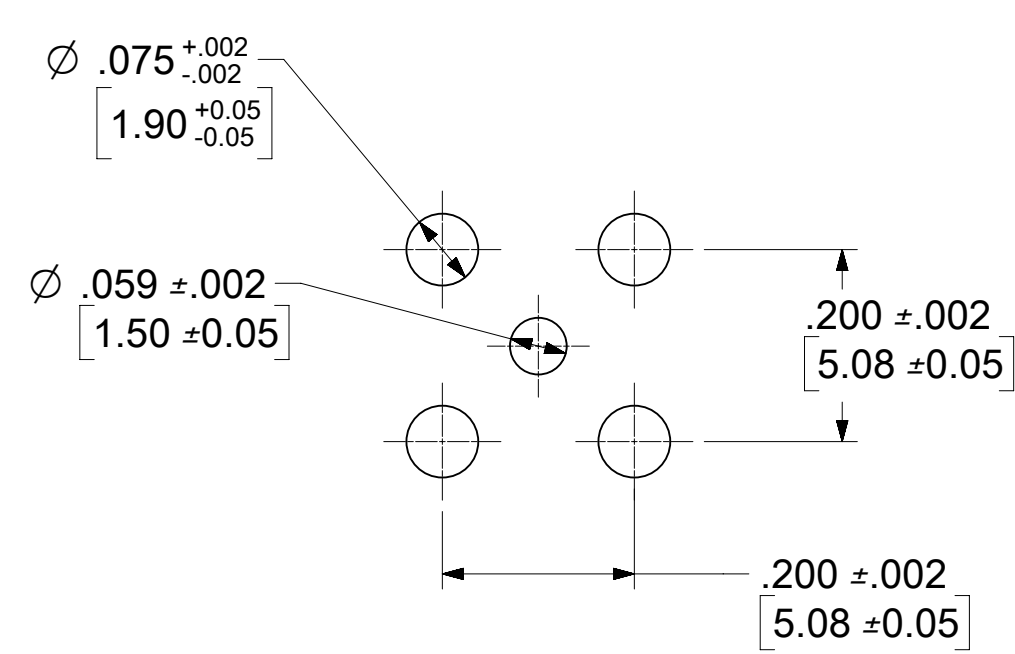
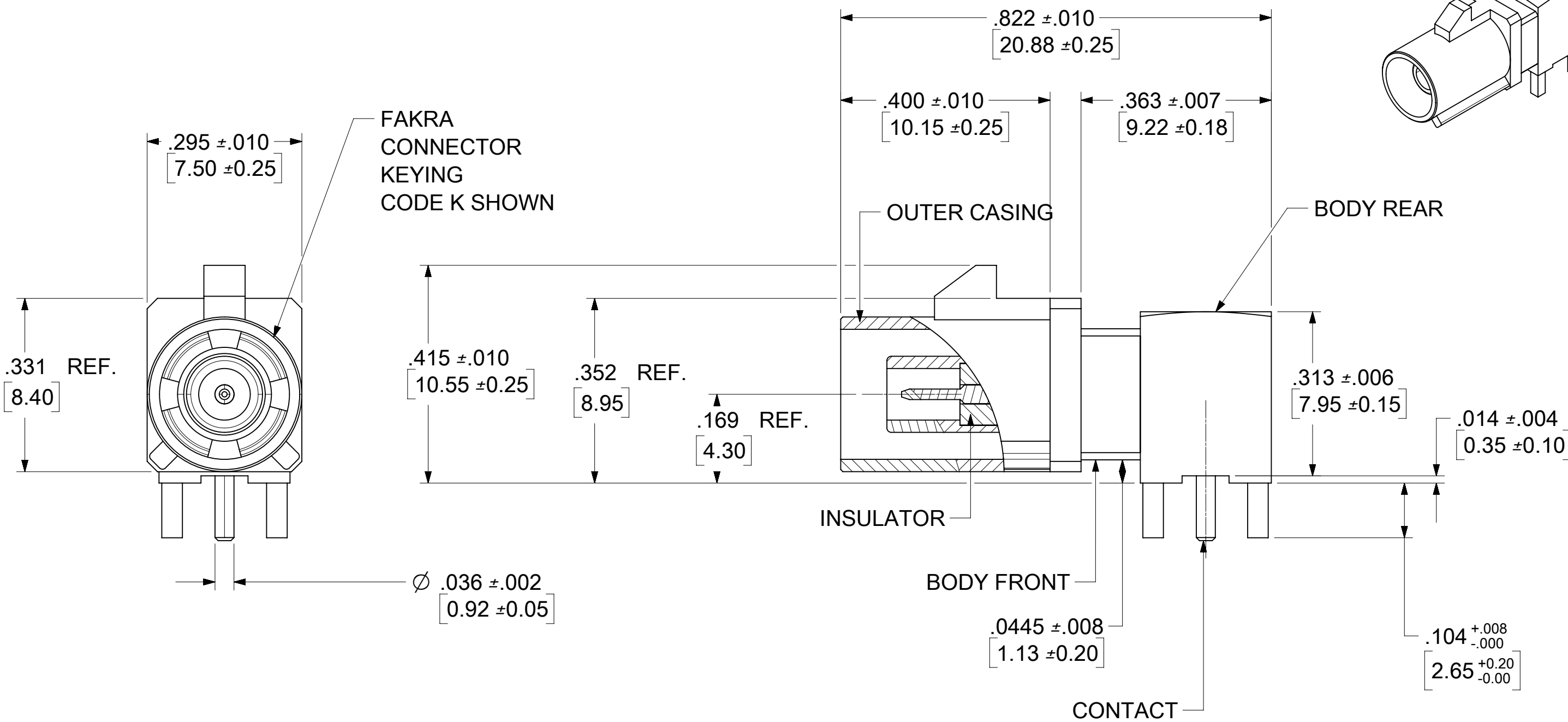
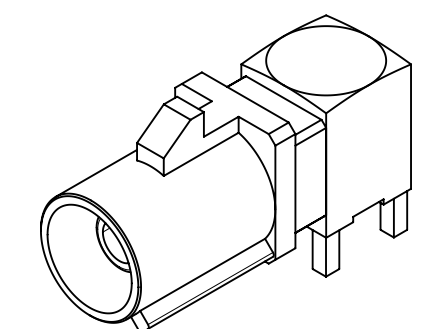
OUTER CASING HIGH TEMPERATURE PLASTIC
KEYING SEE TABLE
COLOR SEE TABLE

INSULATOR TEFLON

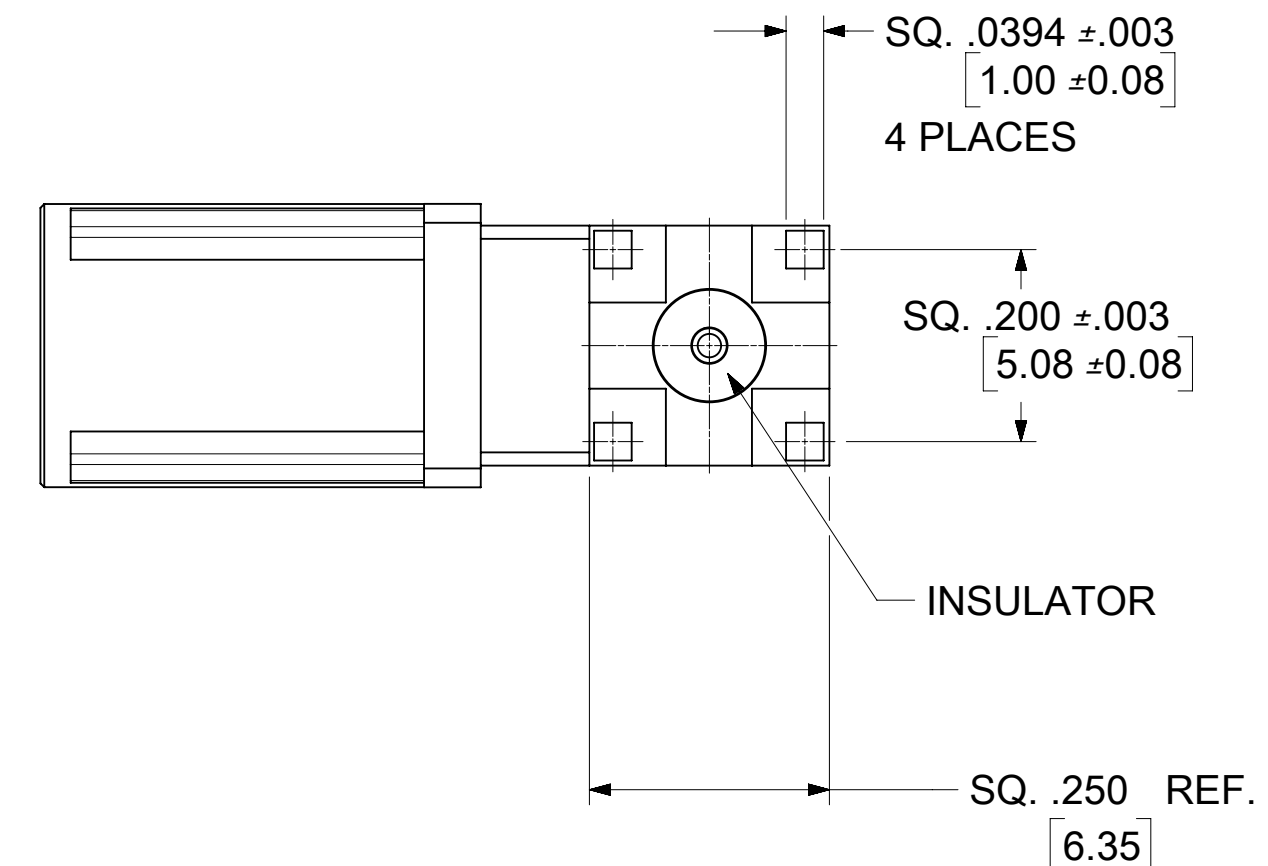
PACKAGING BY TRAY

RETENTION SPECIFICATION

THE FAKRA CONNECTOR SHROUD WILL WITHSTAND
A LONGITUDINAL FORCE OF 110 N (24.75 LBS)



RECOMMENDED PCB LAYOUT

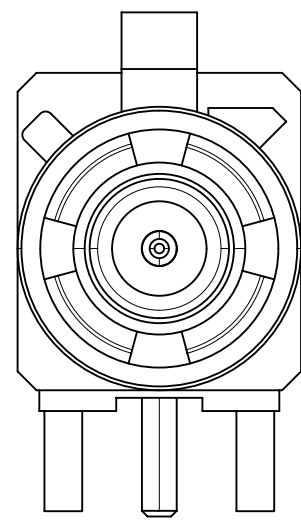


PS-89675-3310	PRODUCT SPECIFICATION
MIL-STD-348A, FIG. 311.1	INTERFACE SPECIFICATION
SPECIFICATION	DESCRIPTION

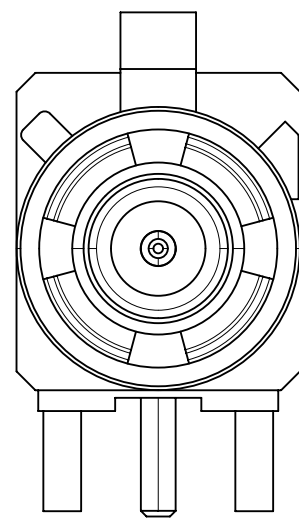
2018/03/19	A7	REDRAWN AND ADDED DIM. PER 11863
2017/01/05	A6	REDRAWN
DATE	REV.	DESCRIPTION

DOCUMENT STATUS	P1	RELEASE DATE	2018/03/23 02:05:33
-----------------	----	--------------	---------------------

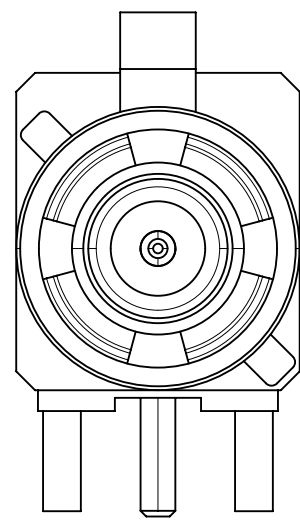
SYMBOLS		THIS DRAWING CONTAINS INFORMATION THAT IS PROPRIETARY TO MOLEX ELECTRONIC TECHNOLOGIES, LLC AND SHOULD NOT BE USED WITHOUT WRITTEN PERMISSION	
▽ = 0	DIMENSION UNITS	SCALE	CURRENT REV DESC:
▽ = 0	HYBRID	5:1	
▽ = 0	GENERAL TOLERANCES (UNLESS SPECIFIED)		
▽ = 0	ANGULAR TOL	± 2.0°	EC NO: 173804
▽ = 0	4 PLACES	±	DRWN: ELIN 2018/03/19
▽ = 0	3 PLACES	±	CHK'D: YCHENG 2018/03/23
▽ = 0	2 PLACES	±	APPR: YCHENG 2018/03/23
▽ = 0	1 PLACE	±	INITIAL REVISION:
▽ = 0	0 PLACES	±	DRWN: SCHOU 2009/01/21
▽ = 0	DRAFT WHERE APPLICABLE MUST REMAIN WITHIN DIMENSIONS		APPR: MHUANG 2009/01/23
▽ = 0	THIRD ANGLE PROJECTION	DRAWING	SERIES
		C-SIZE	73403
		MATERIAL NUMBER	CUSTOMER
		SD-73403-511	GENERAL MARKET
		DOC TYPE	DOC PART
		PSD	001
		DOC PART	REVISION
		A7	
		SHEET NUMBER	
		1 OF 2	



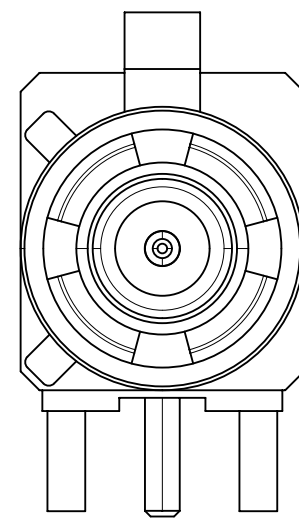
CODE A



CODE B

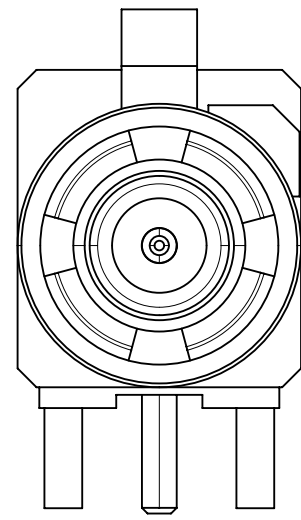


CODE C

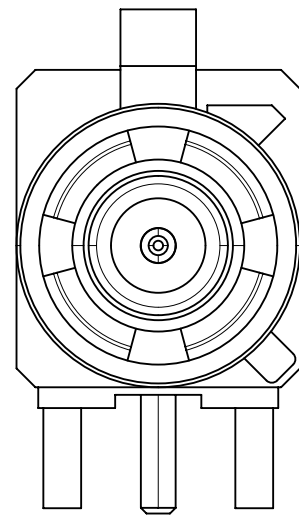


CODE D

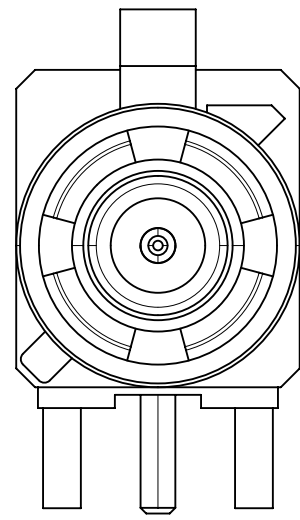
N	PASTEL GREEN	73403-5123
M	PASTEL ORANGE	73403-5122
L	CARMINE RED	73403-5121
Z	WATER BLUE	73403-5120
K	CURRY YELLOW	73403-5119
I	BEIGN	73403-5118
H	VIOLET	73403-5117
G	GRAY	73403-5116
F	BROWN	73403-5115
E	GREEN	73403-5114
D	BORDEAUXVIOLET	73403-5113
C	BLUE	73403-5112
B	SINGLE WHITE	73403-5111
A	BLACK	73403-5110
KEYING CODE	COLOR	PART NO.



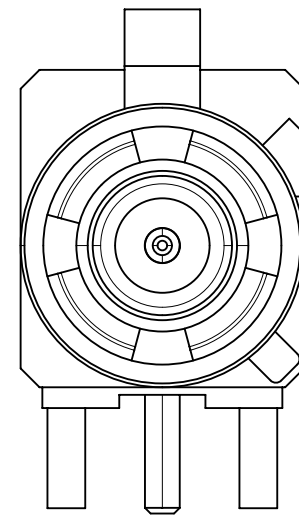
CODE E



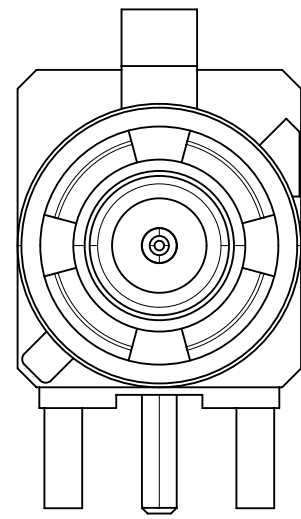
CODE F



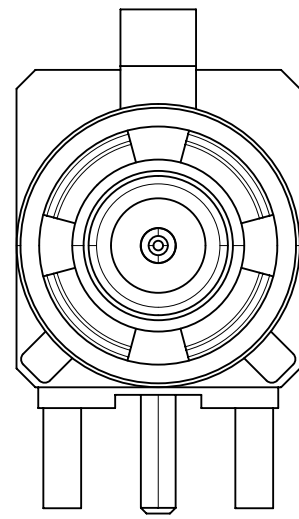
CODE G



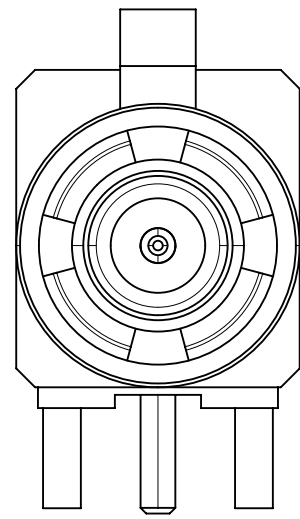
CODE H



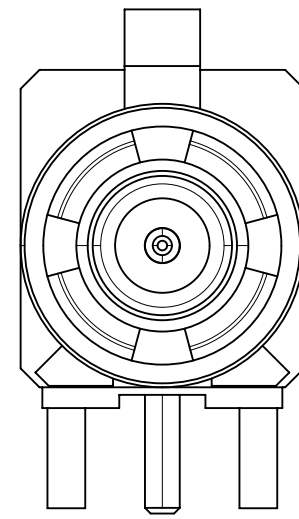
CODE I



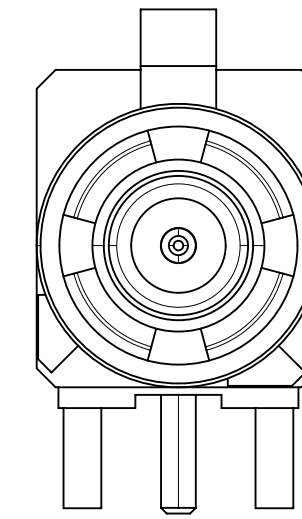
CODE K



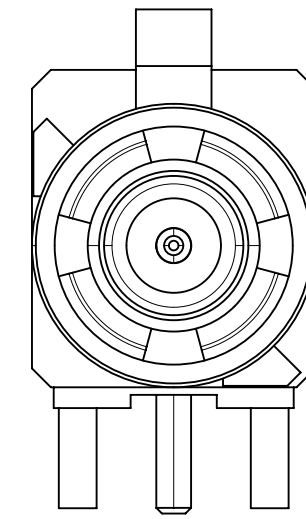
CODE Z



CODE L



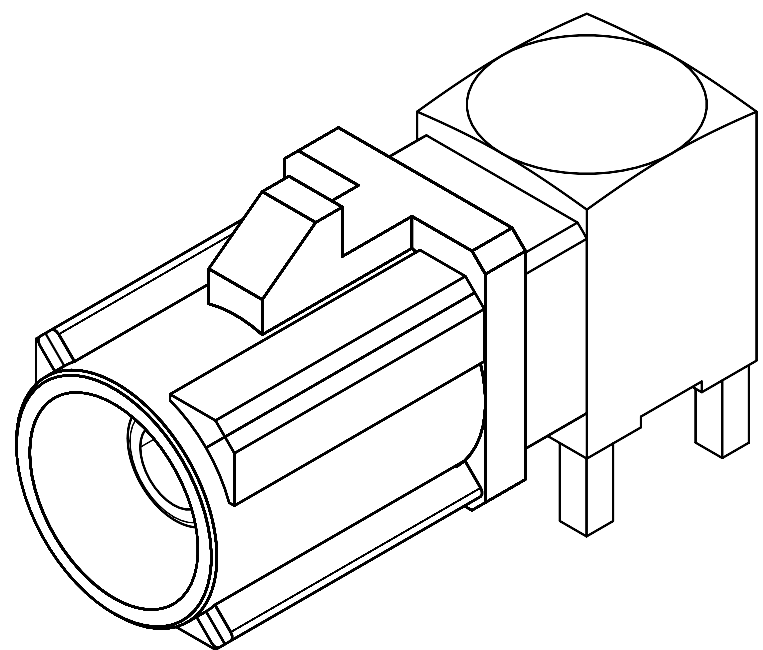
CODE M



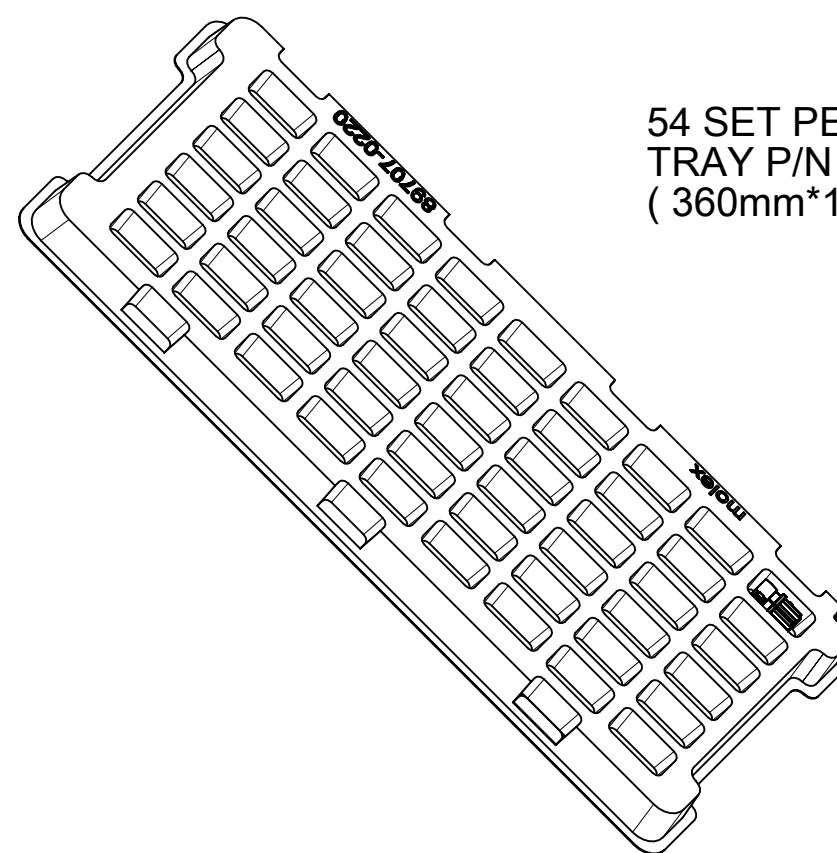
CODE N

SYMBOLS ▽ = 0 ▽ = 0 ▽ = 0 ▽ = 0 ▽ = 0 ▽ = 0 ▽ = 0 ▽ = 0 ▽ = 0 ▽ = 0	THIS DRAWING CONTAINS INFORMATION THAT IS PROPRIETARY TO MOLEX ELECTRONIC TECHNOLOGIES, LLC AND SHOULD NOT BE USED WITHOUT WRITTEN PERMISSION		CURRENT REV DESC:						
	DIMENSION UNITS	SCALE				EC NO: 173804 DRWN: ELIN 2018/03/19 CHK'D: YCHENG 2018/03/23 APPR: YCHENG 2018/03/23			
	HYBRID	5:1							
	GENERAL TOLERANCES (UNLESS SPECIFIED)				INITIAL REVISION: DRWN: SCHOU 2009/01/21 APPR: MHUANG 2009/01/23	DOCUMENT NUMBER	DOC TYPE	DOC PART	REVISION
	ANGULAR TOL ± 2.0°					SD-73403-511	PSD	001	A7
	4 PLACES ±					MATERIAL NUMBER	CUSTOMER		SHEET NUMBER
	3 PLACES ±						GENERAL MARKET		2 OF 2
	2 PLACES ±								
	1 PLACE ±								
	0 PLACES ±								
DRAFT WHERE APPLICABLE MUST REMAIN WITHIN DIMENSIONS		THIRD ANGLE PROJECTION	DRAWING	SERIES					
			C-SIZE	73403					

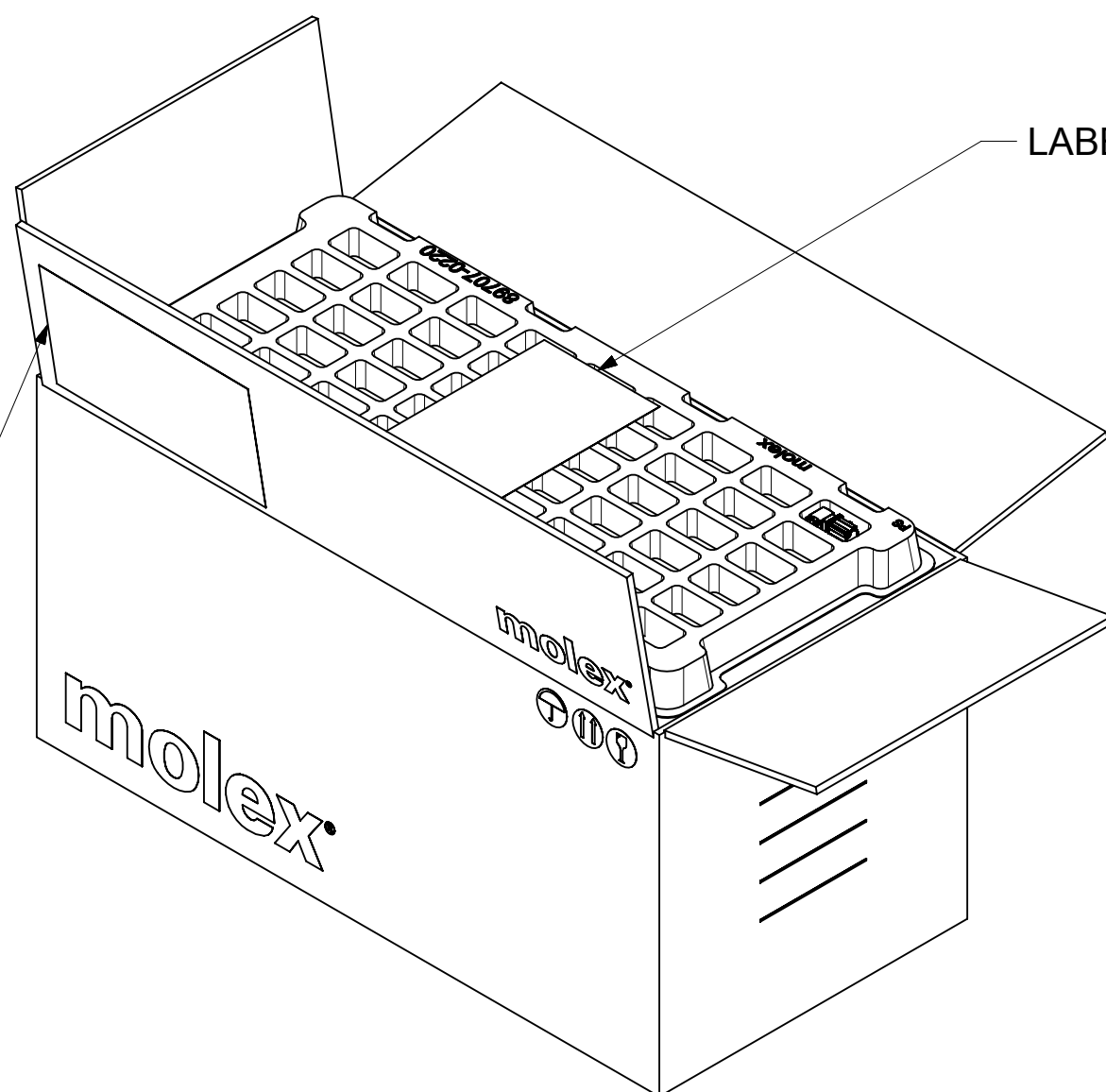
PN 73403-511X



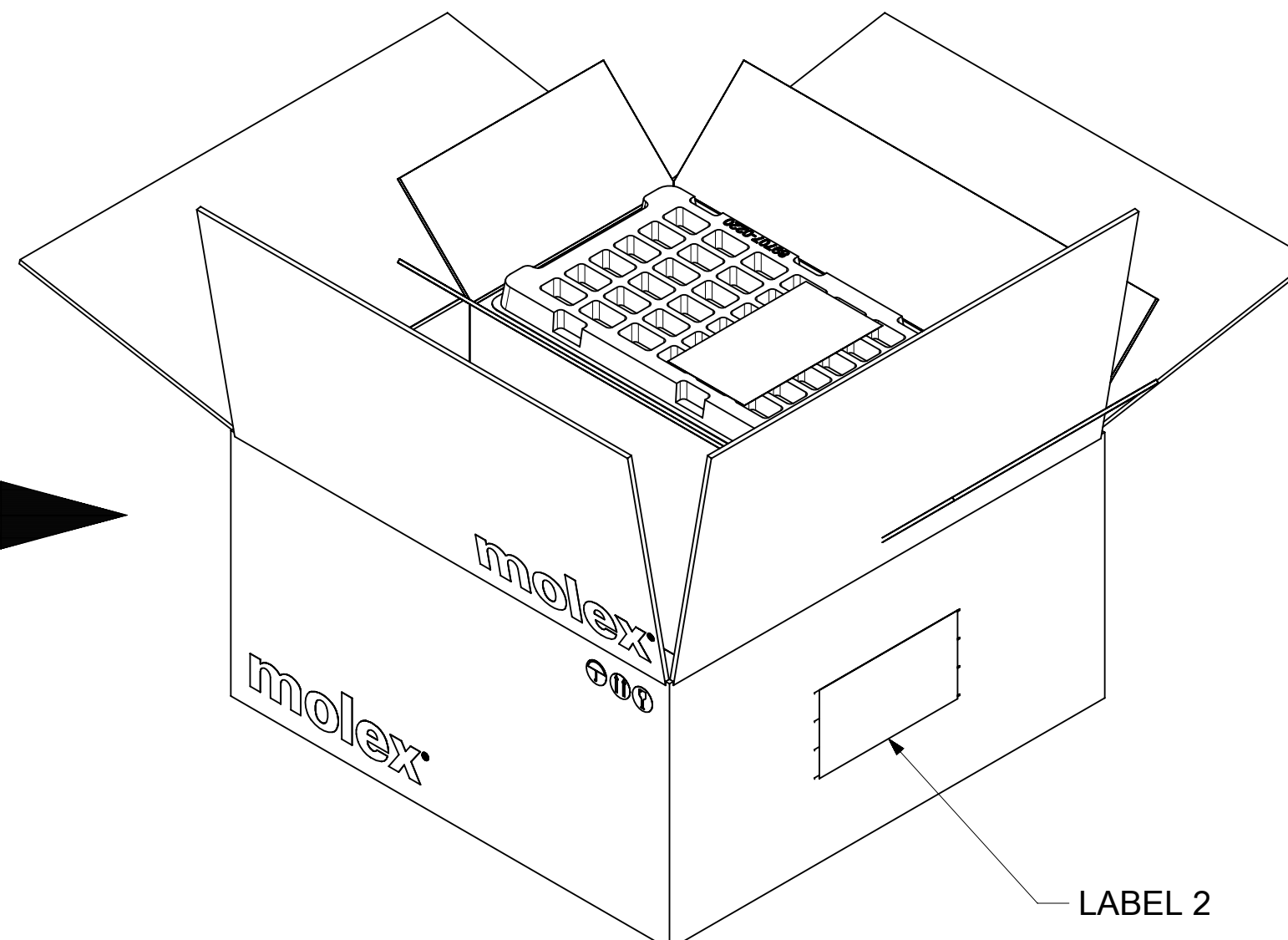
54 SET PER TRAY
TRAY P/N 89707-0220
(360mm*165mm)



540 SET PER INNER
CARTON BOX
P/N 96707-0001



1080 SET PER OUTER
CARTON BOX
P/N 96708-0005



LABEL 1

LABEL 1

LABEL 2

THIS DRAWING CONTAINS INFORMATION THAT IS PROPRIETARY TO MOLEX ELECTRONIC TECHNOLOGIES, LLC AND SHOULD NOT BE USED WITHOUT WRITTEN PERMISSION											
FUNCTIONAL SYMBOLS	DIMENSION UNITS	SCALE	CURRENT REV DESC:								
$\nabla_A = 0$	HYBRID	1:1	EWR # 14835-A ADDED LENGTH AND WIDTH OF TRAY ON DRAWING								
$\nabla_E = 0$	GENERAL TOLERANCES (UNLESS SPECIFIED)		EC NO: 683284								
$\nabla_P = 0$	ANGULAR TOL $\pm 2.0^\circ$		4 PLACES \pm			DRWN: JSU18			2021/10/29		
DIVISIONAL SYMBOLS	3 PLACES \pm		CHK'D: YCHENG			2021/10/29			PRODUCT CUSTOMER DRAWING		
	2 PLACES \pm		APPR: YCHENG			2021/10/29			DOCUMENT NUMBER		
	1 PLACE \pm		INITIAL REVISION:			DRWN: SCHOU			2009/05/12		
	0 PLACES \pm		APPR: MHUANG			2009/05/19			SD-73403-511-PKG		
DRAFT WHERE APPLICABLE MUST REMAIN WITHIN DIMENSIONS			THIRD ANGLE PROJECTION			DRAWING			SERIES		
			C-SIZE			73403			MATERIAL NUMBER		
			GENERAL MARKET			CUSTOMER			SHEET NUMBER		
			1 OF 2								

LABEL 1

(1P) PART NUMBER	XXXXXXXXXXXX	(9D) DATE CODE	YYWW
DESCRIPTION	SMB JACK FAKRA R/A PCB 50 OHM		
(Q) QUANTITY	540	 www.molex.com	
(4L) COUNTRY OF ORIGIN	Taiwan		
(12D) INV CTRL DATE	YYYY/MM/DD		
(1T) TRACEABILITY	XXXXXXXXXXXX		
RoHS Compliant with Exemption REACH SVHC information - see www.molex.com		Low-Halogen	
1 of 1	OPERATOR:	17.11.23	
MOLEX TAIWAN LTD. / DANSHUI, NEW TAIPEI CITY, TAIWAN 25144			

LABEL 2

(1P) PART NUMBER	XXXXXXXXXXXX	(9D) DATE CODE	YYWW
DESCRIPTION	SMB JACK FAKRA R/A PCB 50 OHM		
(Q) QUANTITY	1080	 www.molex.com	
(4L) COUNTRY OF ORIGIN	Taiwan		
(12D) INV CTRL DATE	YYYY/MM/DD		
(1T) TRACEABILITY	XXXXXXXXXXXX		
RoHS Compliant with Exemption REACH SVHC information - see www.molex.com		Low-Halogen	
1 of 1	OPERATOR:	17.11.23	
MOLEX TAIWAN LTD. / DANSHUI, NEW TAIPEI CITY, TAIWAN 25144			

FUNCTIONAL SYMBOLS	THIS DRAWING CONTAINS INFORMATION THAT IS PROPRIETARY TO MOLEX ELECTRONIC TECHNOLOGIES, LLC AND SHOULD NOT BE USED WITHOUT WRITTEN PERMISSION						
	DIMENSION UNITS	SCALE	CURRENT REV DESC:				 PACKAGING FOR 73403-511X
	HYBRID	1:1	EWR # 14835-A ADDED LENGTH AND WIDTH OF TRAY ON DRAWING				
	GENERAL TOLERANCES (UNLESS SPECIFIED)		EC NO: 683284				
	ANGULAR TOL	± 2.0°	DRWN: JSU18 2021/10/29				
DIVISIONAL SYMBOLS	4 PLACES	±	CHK'D: YCHENG 2021/10/29				
	3 PLACES	±	APPR: YCHENG 2021/10/29				
	2 PLACES	±	INITIAL REVISION:				
	1 PLACE	±	DRWN: SCHOU 2009/05/12				
	0 PLACES	±	APPR: MHUANG 2009/05/19				
DRAFT WHERE APPLICABLE MUST REMAIN WITHIN DIMENSIONS	THIRD ANGLE PROJECTION	DRAWING	SERIES	MATERIAL NUMBER	CUSTOMER	SHEET NUMBER	
		C-SIZE	73403	SD-73403-511-PKG	GENERAL MARKET	2 OF 2	

DOCUMENT NUMBER	DOC TYPE	DOC PART	REVISION
SD-73403-511-PKG	PSD	001	B1

MATERIALS AND FINISHES

BODY BRASS
PLATED NICKEL

HOUSING BRASS
PLATED TIN

CENTER CONTACT PHOSPHOR BRONZE/BRASS
PLATED GOLD

OUTER CASING HIGH TEMPERATURE PLASTIC
KEYING SEE TABLE
COLOR SEE TABLE

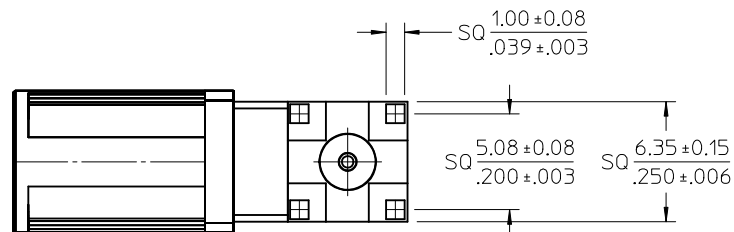
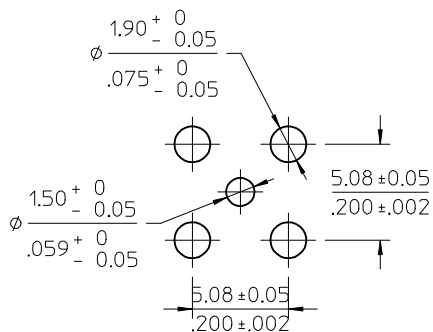
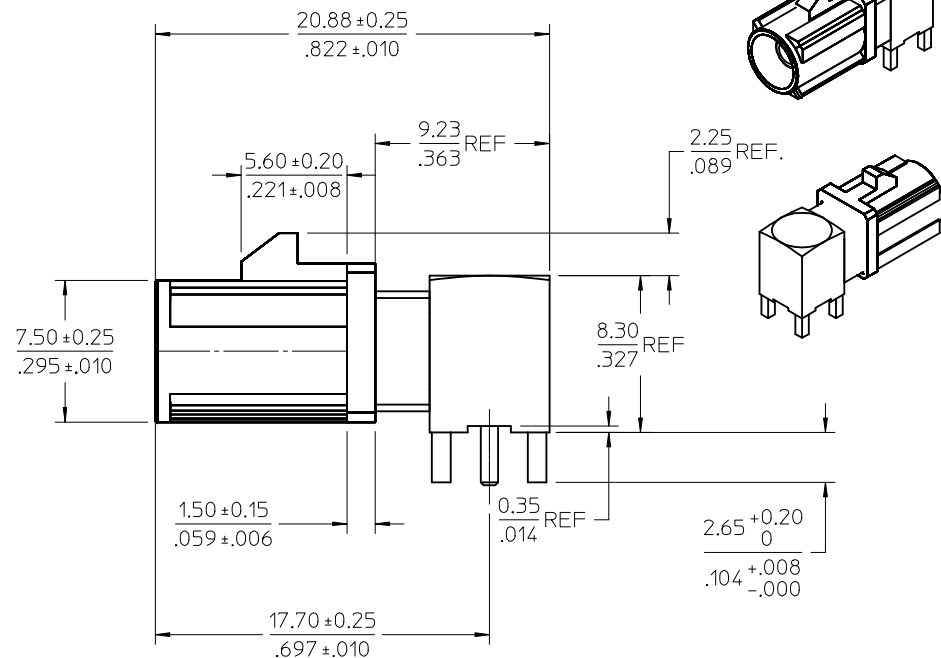
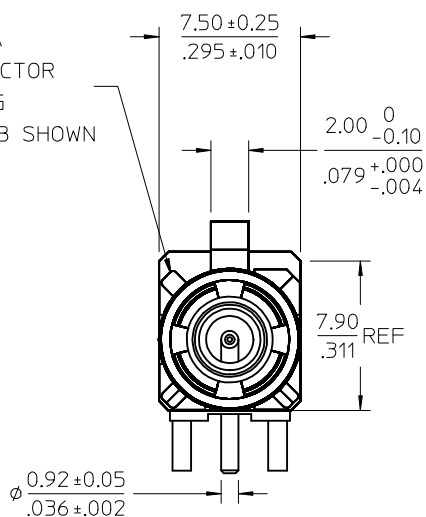
INSULATOR TEFLON

PACKAGING BY TAPE AND REEL

RETENTION SPECIFICATION

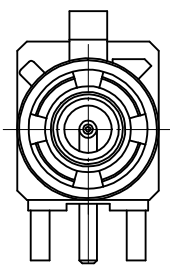
THE FAKRA CONNECTOR SHROUD WILL WITHSTAND
A LONGITUDINAL FORCE OF 110 N (24.75 LBS)

FAKRA
CONNECTOR
KEYING
CODE B SHOWN

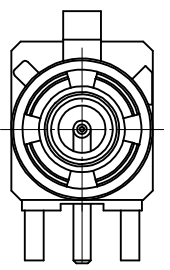


PS-89675-3310	PRODUCT SPECIFICATION
MIL-STD-348A, FIG. 311.1	INTERFACE SPECIFICATION
SPECIFICATION	DESCRIPTION

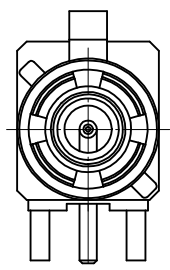
RTM PDR15092069 PDR13091433 EC NO: URF2016-0255 DRWNLIN 2013/09/24 CHKD: APPR: YCHENG 2015/10/13 DESCRIPTION	QUALITY SYMBOLS	GENERAL TOLERANCES (UNLESS SPECIFIED)	DIMENSION STYLE	SCALE	DESIGN UNITS	THIRD ANGLE PROJECTION
	∇=0 ∇=0 ∇=0	mm INCH 4 PLACES ± --- ± --- 3 PLACES ± --- ± --- 2 PLACES ± --- ± --- 1 PLACE ± --- ± --- 0 PLACE ± --- ± ---	MM/IN	1:1	METRIC	TITLE SMB JACK, FAKRA,R/A PCB 50 OHMS T&R SMB-J/PCB/RA molex
	DRAWN BY EL IN CHECKED BY JOANNE APPROVED BY YCHENG	DATE 2013/09/24 DATE 2013/09/24 DATE 2015/10/13	ANGULAR ± 2 ° DRAFT WHERE APPLICABLE MUST REMAIN WITHIN DIMENSIONS	MATERIAL NO. SEE SHEET 2	DOCUMENT NO. SD-73403-650	SHEET NO. 1 OF 5
	SIZE C THIS DRAWING CONTAINS INFORMATION THAT IS PROPRIETARY TO MOLEX INCORPORATED AND SHOULD NOT BE USED WITHOUT WRITTEN PERMISSION					



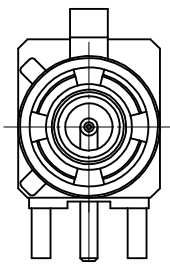
CODE-A



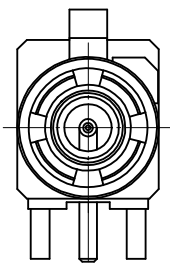
CODE-B



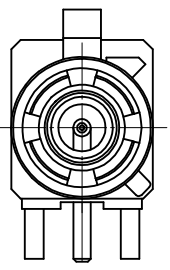
CODE-C



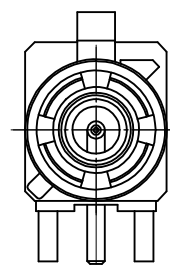
CODE-D



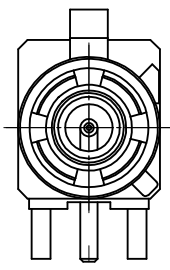
CODE-E



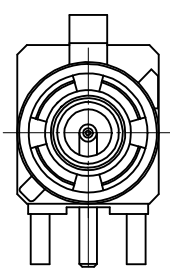
CODE-F



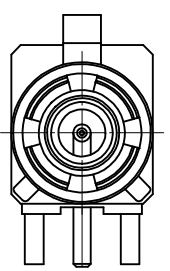
CODE-G



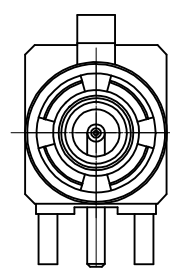
CODE-H



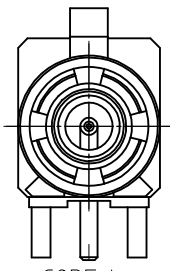
CODE-I



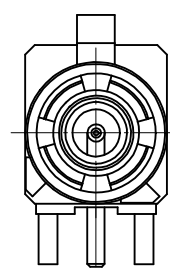
CODE-K



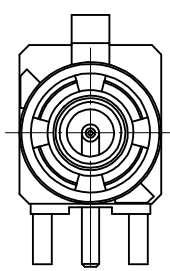
CODE-Z



CODE-L



CODE-M



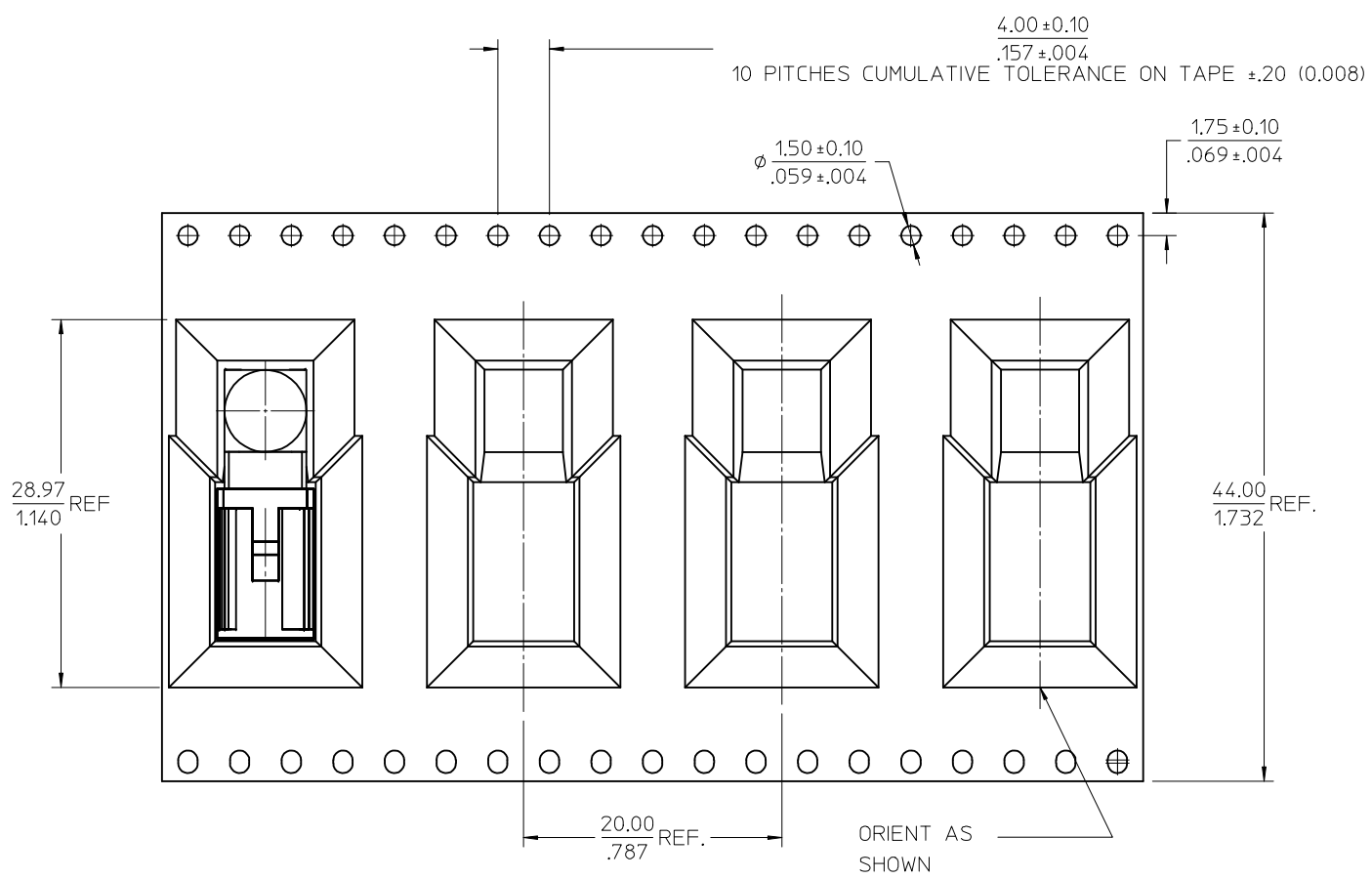
CODE-N

N	PASTEL GREEN	73403-6513
M	PASTEL ORANGE	73403-6512
L	CARMINE RED	73403-6511
Z	WATER BLUE	73403-6510
K	CURRY YELLOW	73403-6509
I	BEIGE	73403-6508
H	VIOLET	73403-6507
G	GRAY	73403-6506
F	BROWN	73403-6505
E	GREEN	73403-6504
D	BORDEAUXVIOLET	73403-6503
C	BLUE	73403-6502
B	NATURAL	73403-6501
A	BLACK	73403-6500
KEYING CODE	COLOR	PART NO.

SEE SHEET 1 EC NO: URF2016-0255 DRW:INLIN 2013/09/24 CHKD: APPR:YCHENG 2015/10/13	QUALITY SYMBOLS = 0 = 0 = 0	GENERAL TOLERANCES (UNLESS SPECIFIED) <table border="1"> <tr><th></th><th>mm</th><th>INCH</th></tr> <tr><td>4 PLACES</td><td>± .005</td><td>± .0004</td></tr> <tr><td>3 PLACES</td><td>± .005</td><td>± .0004</td></tr> <tr><td>2 PLACES</td><td>± .005</td><td>± .0004</td></tr> <tr><td>1 PLACE</td><td>± .005</td><td>± .0004</td></tr> <tr><td>0 PLACE</td><td>± .005</td><td>± .0004</td></tr> </table>		mm	INCH	4 PLACES	± .005	± .0004	3 PLACES	± .005	± .0004	2 PLACES	± .005	± .0004	1 PLACE	± .005	± .0004	0 PLACE	± .005	± .0004	DIMENSION STYLE MM/IN DRAWN BY DATE EL IN 2013/09/24 CHECKED BY DATE JOANNE 2013/09/24 APPROVED BY DATE YCHENG 2015/10/13	SCALE 1:1 DESIGN UNITS METRIC THIRD ANGLE PROJECTION	TITLE SMB JACK, FAKRA,R/A PCB 50 OHMS T&R SMB-J/PCB/RA molex	MATERIAL NO. SEE TABLE DOCUMENT NO. SD-73403-650	SHEET NO. 2 OF 5
		mm	INCH																						
	4 PLACES	± .005	± .0004																						
	3 PLACES	± .005	± .0004																						
2 PLACES	± .005	± .0004																							
1 PLACE	± .005	± .0004																							
0 PLACE	± .005	± .0004																							
ANGULAR ± 2°		DRAFT WHERE APPLICABLE MUST REMAIN WITHIN DIMENSIONS		THIS DRAWING CONTAINS INFORMATION THAT IS PROPRIETARY TO MOLEX INCORPORATED AND SHOULD NOT BE USED WITHOUT WRITTEN PERMISSION																					
REV A																									

13 12 11 10 9 8 7 6 5 4 3 2 1

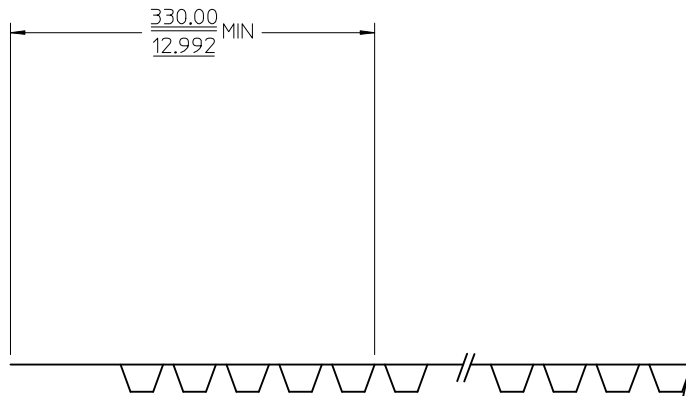
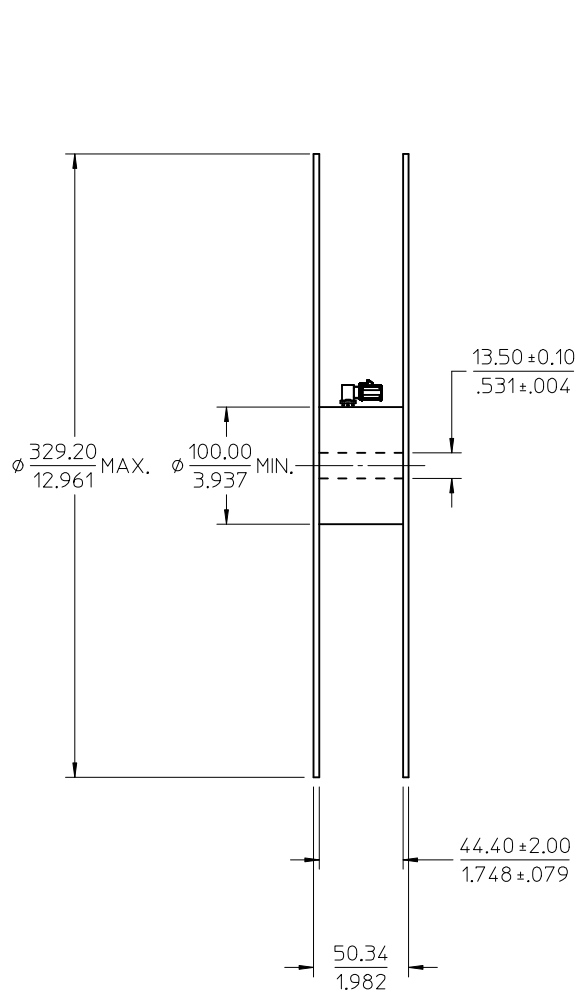
J
I
H
G
F
E
D
C
B
A



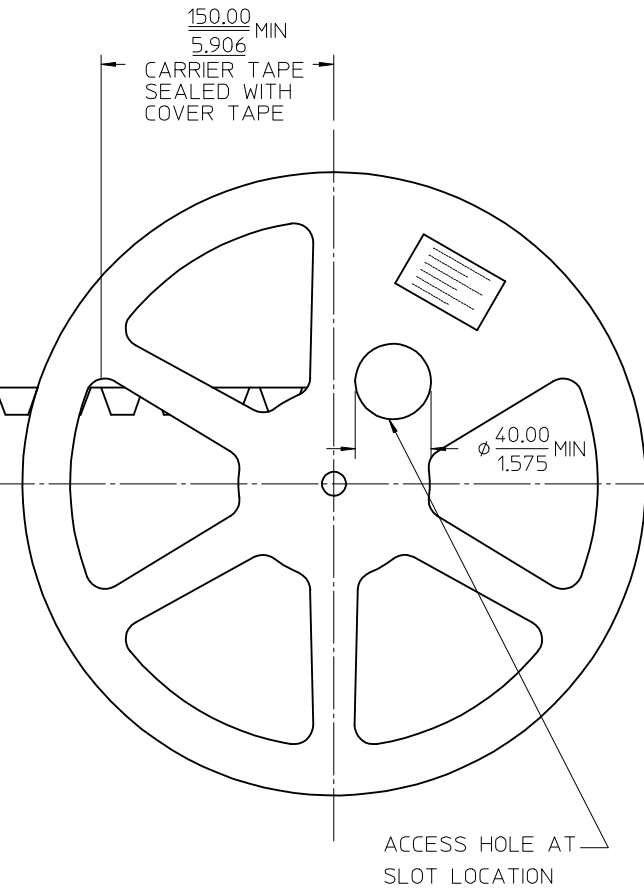
NOTES:
1. 250 CONNECTORS PER REEL ON 330.2 mm (13.0 IN) REEL

SEE SHEET 1 EC NO: URF2016-0255 DRAWN IN 2013/09/24 CHKD: APPR: YCHENG 2015/10/13	QUALITY SYMBOLS	GENERAL TOLERANCES (UNLESS SPECIFIED)	DIMENSION STYLE	SCALE	DESIGN UNITS	THIRD ANGLE PROJECTION
	▽=0 ▽=0 ▽=0	mm INCH	MM/IN	1:1	METRIC	
A	DESCRIPTION	4 PLACES ± --- ± ---	DRAWN BY DATE	TITLE	SMB JACK, FAKRA,R/A PCB 50 OHMS T&R SMB-J/PCB/RA molex	
	REV	3 PLACES ± --- ± ---	EL IN 2013/09/24			
		2 PLACES ± --- ± ---	CHECKED BY DATE		DOCUMENT NO. SD-73403-650 SHEET NO. 3 OF 5	
		1 PLACE ± --- ± ---	JOANNE 2013/09/24			
		0 PLACE ± --- ± ---	APPROVED BY DATE		THIS DRAWING CONTAINS INFORMATION THAT IS PROPRIETARY TO MOLEX INCORPORATED AND SHOULD NOT BE USED WITHOUT WRITTEN PERMISSION	
			YCHENG 2015/10/13			
		ANGULAR ± 2 °	MATERIAL NO.			
		DRAFT WHERE APPLICABLE MUST REMAIN WITHIN DIMENSIONS	SEE SHEET 2			

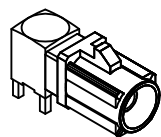
1b_frame_C_P_AM_T Rev. G 2012/01/11 12 11 10 9 8 7 6 5 4 3 2 1



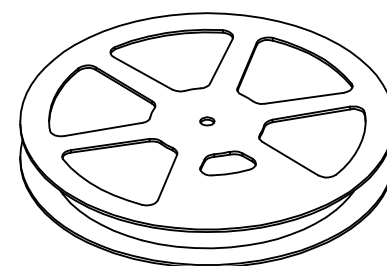
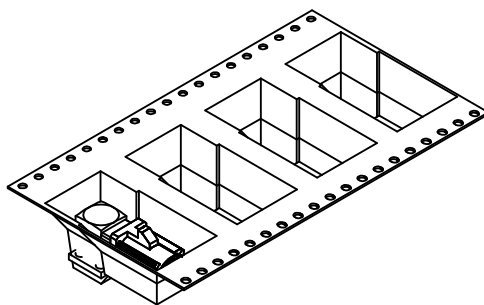
250mm MIN OF CARRIER AND /OR COVER TAPE.
PLUS 80mm MINIMUM OF CARRIER TAPE SEALED
WITH COVER TAPE



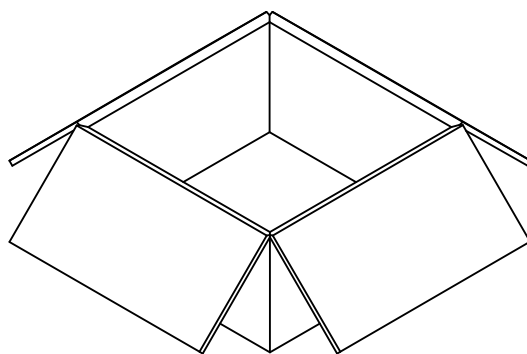
SEE SHEET 1 EC NO: URF2016-0255 DRW:ELIN 2013/09/24 CHKD: APPR:YCHENG 2015/10/13	QUALITY SYMBOLS	GENERAL TOLERANCES (UNLESS SPECIFIED)		DIMENSION STYLE	SCALE	DESIGN UNITS	THIRD ANGLE PROJECTION
	▽=0	mm	INCH	MM/IN	1:2	METRIC	
	▽=0	4 PLACES ± --- ± ---	3 PLACES ± --- ± ---	DRAWN BY DATE	TITLE		
	▽=0	2 PLACES ± --- ± ---	1 PLACE ± --- ± ---	EL IN 2013/09/24	SMB JACK, FAKRA,R/A PCB 50 OHMS T&R SMB-J/PCB/RA		
REV	DESCRIPTION	ANGULAR ± 2 °		CHECKED BY DATE	DOCUMENT NO.		
A		DRAFT WHERE APPLICABLE MUST REMAIN WITHIN DIMENSIONS		JOANNE 2013/09/24	SD-73403-650		
				APPROVED BY DATE	SHEET NO.		
				YCHENG 2015/10/13	4 OF 5		
				MATERIAL NO.	THIS DRAWING CONTAINS INFORMATION THAT IS PROPRIETARY TO MOLEX INCORPORATED AND SHOULD NOT BE USED WITHOUT WRITTEN PERMISSION		
				SEE SHEET 2			



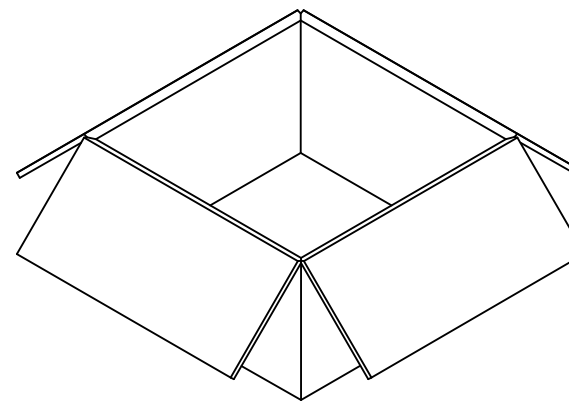
73403-650*



250 SET PER 13" REEL



1000 SET PER INNER
CARTON BOX
343 X 343 X 188 REF.



1000 SET PER OUTER
CARTON BOX
394 X 391 X 212 REF.

SEE SHEET 1 EC NO: URF-2016-0255 DRW: ELIN 2013/09/24 CHKD: DRW: ELIN APPR: YCHENG 2015/10/13	DESCRIPTION REV: A	QUALITY SYMBOLS	GENERAL TOLERANCES (UNLESS SPECIFIED)		DIMENSION STYLE	SCALE	DESIGN UNITS	THIRD ANGLE PROJECTION	
		▽=0	mm	INCH	MM/IN	1:1	METRIC		
		▽=0	4 PLACES ± --- ± ---	3 PLACES ± --- ± ---	2 PLACES ± --- ± ---	1 PLACE ± --- ± ---	0 PLACE ± --- ± ---	TITLE	
		▽=0	ANGULAR ± 2 °		DRAWN BY DATE		DATE		SMB JACK, FAKRA,R/A PCB 50 OHMS T&R SMB-J/PCB/RA
DRAFT WHERE APPLICABLE MUST REMAIN WITHIN DIMENSIONS		MATERIAL NO.		SEE SHEET 2		DOCUMENT NO.		SHEET NO.	
				SIZE C		SD-73403-650		5 OF 5	
THIS DRAWING CONTAINS INFORMATION THAT IS PROPRIETARY TO MOLEX INCORPORATED AND SHOULD NOT BE USED WITHOUT WRITTEN PERMISSION									