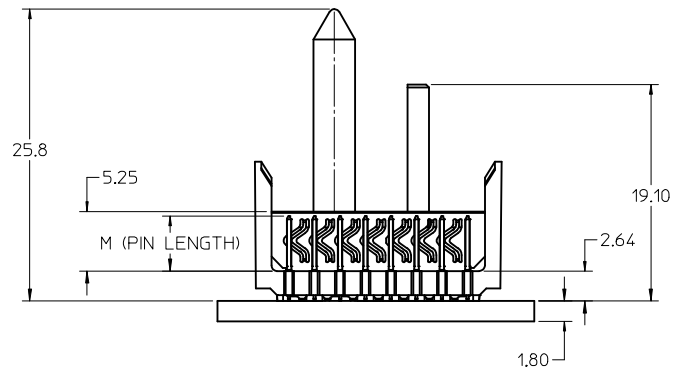
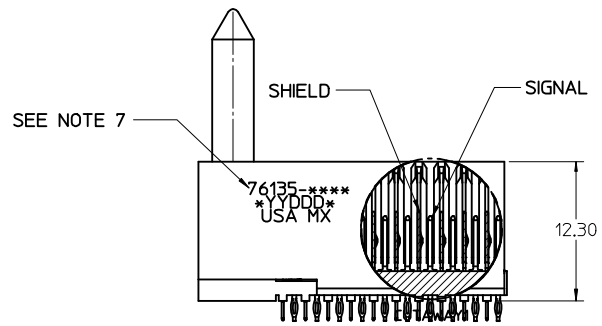
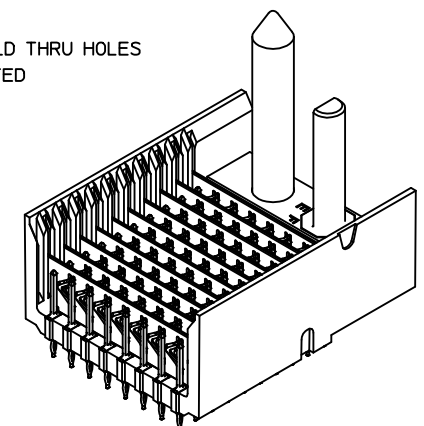


OUTER ROWS OF SHIELD THRU HOLES WILL NOT BE POPULATED



- NOTES:
1. MATERIALS:  
HOUSING - LIQUID CRYSTAL POLYMER (LCP)  
GLASS FILLED, UL94V-0, BLACK  
SIGNAL PIN AND SHIELD - COPPER ALLOY
  2. FINISHES:  
CONTACT AREA - SELECTIVE GOLD (Au)  
PCB TAILS - SELECTIVE MATTE TIN (Sn)
  3. THIS PART CONFORMS TO MOLEX PRODUCT SPECIFICATION PS-74031-999.
  4. FOR MIXED CONTACT LENGTH CONTACT MOLEX FOR AVAILABILITY.
  5. FOR SPECIFIC MATERIAL NUMBERS AND MATING INFORMATION REFER TO SHEET 2.
  6. PACKAGE PER PK-74061-003.
  7. ASSEMBLY WILL BE MARKED WITH P/N AND DATE CODE WITH LASER MARK ON SIDE OF HOUSING OR BY LABEL ON THE TUBE.
  8. MAPS (MOLEX ADVANCED PLATING SYSTEM).

THE PRIMARY CARTON WITH A LABEL STATING "ELV AND RoHS COMPLAINT" IS LEAD FREE. CARTONS WITHOUT THIS LABEL MAY CONTAIN LEAD.

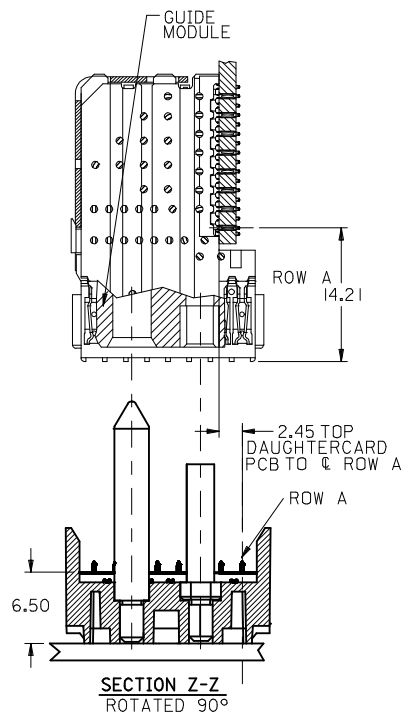
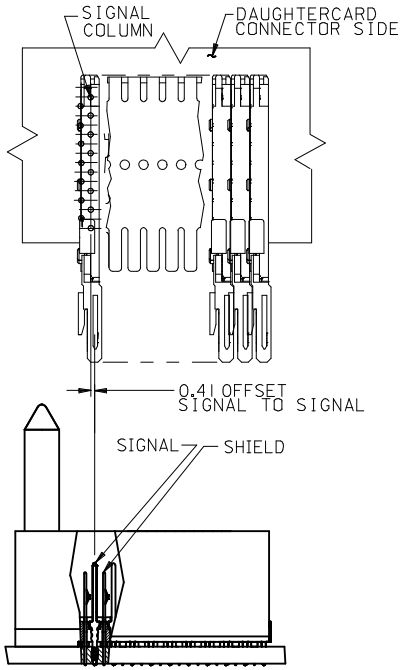
<b>LEAD FREE CONVERSION</b> EC NO: UCP2013-0687 DRWNS:DANIELLEY 2010/03/08 CHKD:J.MELTON 2010/03/08 APPR:SMILLER 2012/12/14	QUALITY SYMBOLS 	GENERAL TOLERANCES (UNLESS SPECIFIED) <table border="1"> <thead> <tr> <th></th> <th>mm</th> <th>INCH</th> </tr> </thead> <tbody> <tr> <td>4 PLACES</td> <td>± ---</td> <td>± ---</td> </tr> <tr> <td>3 PLACES</td> <td>± ---</td> <td>± ---</td> </tr> <tr> <td>2 PLACES</td> <td>± 0.15</td> <td>± ---</td> </tr> <tr> <td>1 PLACE</td> <td>± 0.25</td> <td>± ---</td> </tr> <tr> <td>0 PLACE</td> <td>± ---</td> <td>± ---</td> </tr> </tbody> </table>		mm	INCH	4 PLACES	± ---	± ---	3 PLACES	± ---	± ---	2 PLACES	± 0.15	± ---	1 PLACE	± 0.25	± ---	0 PLACE	± ---	± ---	DIMENSION STYLE <b>MM ONLY</b> DRAWN BY: J.JONIAK DATE: 2008/04/11 CHECKED BY: BINGHAM DATE: 2008/04/11 APPROVED BY: BINGHAM DATE: 2008/04/11	SCALE <b>3:1</b> DESIGN UNITS <b>METRIC</b> 	THIRD ANGLE PROJECTION <b>VHDM H-SERIES 8 ROW SIGNAL END BACKPLANE SALES DRAWING</b>  DOCUMENT NO. SD-76135-001 SHEET NO. 1 OF 2
		mm	INCH																				
	4 PLACES	± ---	± ---																				
	3 PLACES	± ---	± ---																				
	2 PLACES	± 0.15	± ---																				
1 PLACE	± 0.25	± ---																					
0 PLACE	± ---	± ---																					
DESCRIPTION <b>B</b>	DRAFT WHERE APPLICABLE MUST REMAIN WITHIN DIMENSIONS	MATERIAL NO. <b>SEE SHT.2</b>	THIS DRAWING CONTAINS INFORMATION THAT IS PROPRIETARY TO MOLEX INCORPORATED AND SHOULD NOT BE USED WITHOUT WRITTEN PERMISSION																				
REV:	ANGLAR ±1/2°	SIZE <b>C</b>																					

M/N 76135-( )	-**0*	-**1*	-**2*	-**3*	-**4*	-**5*	-**6*	-**7*	-**8*
KEYING PIN ORIENTATION									

76135 - \* \* \* \*

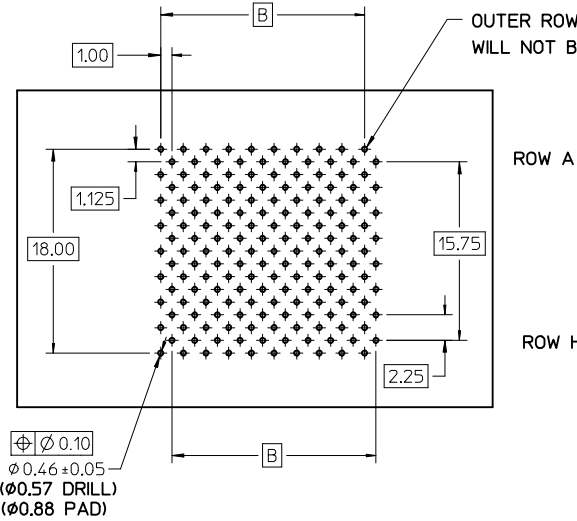
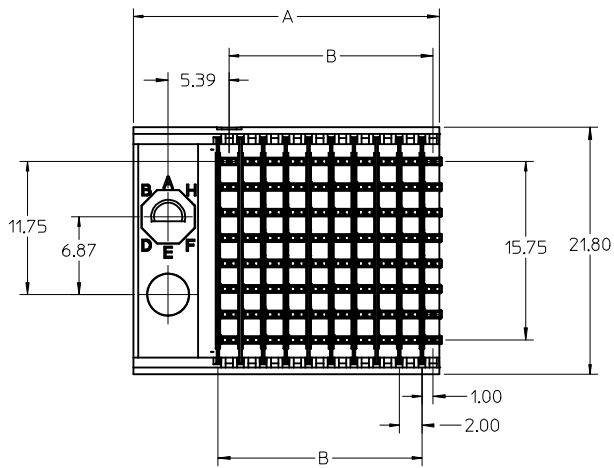
CONTACT LOAD  
(PIN HEIGHT)  
1 & 6 = 4.75  
2 & 7 = 6.25  
3 & 8 = 4.25  
4 & 9 = 5.15

NUMBER OF COLUMNS/PLATING  
10 = 10 COLUMN MATTE TIN (FORMERLY TIN/LEAD)  
25 = 25 COLUMN MATTE TIN (FORMERLY TIN/LEAD)  
60 = 10 COLUMN MATTE TIN  
75 = 25 COLUMN MATTE TIN  
90 = 10 COLUMN MATTE TIN  
85 = 25 COLUMN MATTE TIN

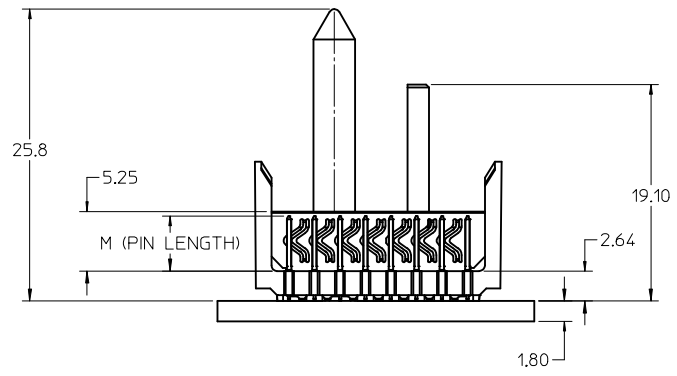
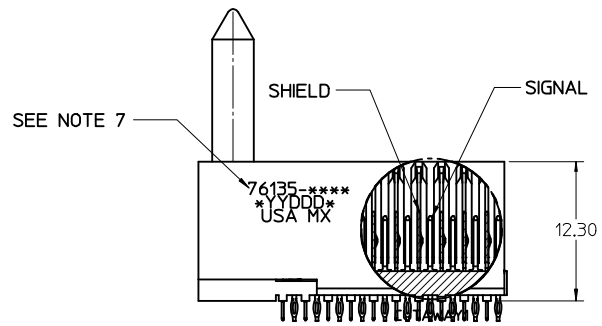
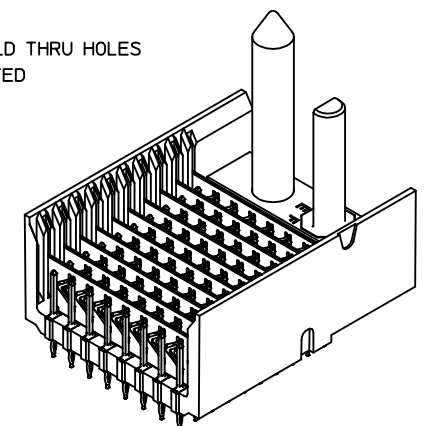


PART NUMBER	COLUMN	NUMBER OF SIGNAL PIN	NUMBER OF SHIELD	A	B	M	GOLD THICKNESS MICROMETER	TIN THICKNESS MICROMETER
<b>76135-60*1</b>	10	80	10	27.00	18.00	4.75	0.25 MAPS	0.76-1.52
76135-*0*1							0.76	
76135-*0*6							1.27	
<b>76135-75*1</b>	25	200	25	57.00	48.00	6.25	0.25 MAPS	0.76-1.52
76135-*5*1							0.76	
76135-*5*6							1.27	
<b>76135-60*2</b>	10	80	10	27.00	18.00	4.25	0.25 MAPS	0.76-1.52
76135-*0*2							0.76	
76135-*0*7							1.27	
<b>76135-75*2</b>	25	200	25	57.00	48.00	6.25	0.25 MAPS	0.76-1.52
76135-*5*2							0.76	
76135-*5*7							1.27	
<b>76135-60*3</b>	10	80	10	27.00	18.00	5.15	0.25 MAPS	0.76-1.52
76135-*0*3							0.76	
76135-*0*8							1.27	
<b>76135-75*3</b>	25	200	25	57.00	48.00	6.25	0.25 MAPS	0.76-1.52
76135-*5*3							0.76	
76135-*5*8							1.27	
<b>76135-60*4</b>	10	80	10	27.00	18.00	4.75	0.25 MAPS	0.76-1.52
76135-*0*4							0.76	
76135-*0*9							1.27	
<b>76135-75*4</b>	25	200	25	57.00	48.00	6.25	0.25 MAPS	0.76-1.52
76135-*5*4							0.76	
76135-*5*9							1.27	

SEE SHEET 1 EC NO: UCP2013-0687 DRWNS:DANNELLEY 2010/03/08 CHKD:JMELTON 2010/03/08 APPR:SMILLER	QUALITY SYMBOLS	GENERAL TOLERANCES (UNLESS SPECIFIED)	DIMENSION STYLE	SCALE	DESIGN UNITS	THIRD ANGLE PROJECTION
	▽=0	mm INCH	MM ONLY	3:1	METRIC	
	▽=0	4 PLACES ± --- ± ---	DRAWN BY DATE			
	▽=0	3 PLACES ± --- ± ---	JJONIAK 2008/04/11			
	2 PLACES ± 0.15 ± ---	CHECKED BY DATE				VHDM H-SERIES 8 ROW SIGNAL END BACKPLANE SALES DRAWING <b>molex</b>
	1 PLACE ± 0.25 ± ---	BINGHAM 2008/04/11				
	0 PLACE ± --- ± ---	APPROVED BY DATE				SD-76135-001 SHEET NO. 2 OF 2
		BINGHAM 2008/04/11				
		ANGULAR ±1/2°	MATERIAL NO.	DOCUMENT NO.		
		DRAFT WHERE APPLICABLE MUST REMAIN WITHIN DIMENSIONS	SEE TABLE			
			SIZE C	THIS DRAWING CONTAINS INFORMATION THAT IS PROPRIETARY TO MOLEX INCORPORATED AND SHOULD NOT BE USED WITHOUT WRITTEN PERMISSION		



OUTER ROWS OF SHIELD THRU HOLES WILL NOT BE POPULATED



- NOTES:
1. MATERIALS:  
HOUSING - LIQUID CRYSTAL POLYMER (LCP)  
GLASS FILLED, UL94V-0, BLACK  
SIGNAL PIN AND SHIELD - COPPER ALLOY
  2. FINISHES:  
CONTACT AREA - SELECTIVE GOLD (Au)  
PCB TAILS - SELECTIVE MATTE TIN (Sn)
  3. THIS PART CONFORMS TO MOLEX PRODUCT SPECIFICATION PS-74031-999.
  4. FOR MIXED CONTACT LENGTH CONTACT MOLEX FOR AVAILABILITY.
  5. FOR SPECIFIC MATERIAL NUMBERS AND MATING INFORMATION REFER TO SHEET 2.
  6. PACKAGE PER PK-74061-003.
  7. ASSEMBLY WILL BE MARKED WITH P/N AND DATE CODE WITH LASER MARK ON SIDE OF HOUSING OR BY LABEL ON THE TUBE.
  8. MAPS (MOLEX ADVANCED PLATING SYSTEM).

THE PRIMARY CARTON WITH A LABEL STATING "ELV AND RoHS COMPLAINT" IS LEAD FREE. CARTONS WITHOUT THIS LABEL MAY CONTAIN LEAD.

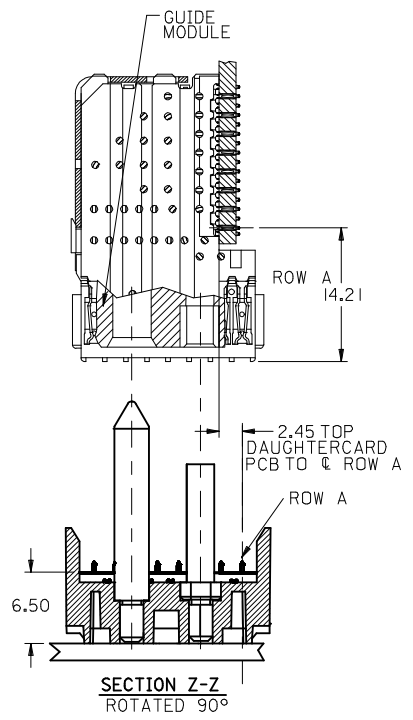
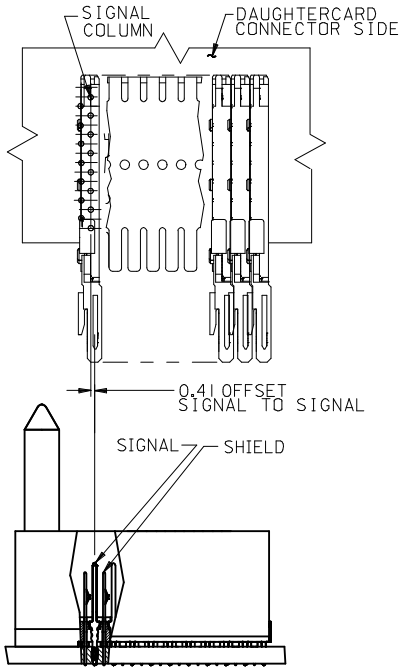
<b>LEAD FREE CONVERSION</b> EC NO: UCP2013-0687 DRWNS: DANIELLE 2010/03/08 CHKD: J. MELTON 2010/03/08 APPR: SMILLER 2012/12/14	QUALITY SYMBOLS 	GENERAL TOLERANCES (UNLESS SPECIFIED)		DIMENSION STYLE <b>MM ONLY</b>	SCALE <b>3:1</b>	DESIGN UNITS <b>METRIC</b>	THIRD ANGLE PROJECTION	
		mm	INCH	DRAWN BY J JONIAK	DATE 2008/04/11	<b>VHDM H-SERIES 8 ROW          SIGNAL END BACKPLANE          SALES DRAWING</b>   DOCUMENT NO. <b>SD-76135-001</b>		
		4 PLACES ± --- ± ---		CHECKED BY BINGHAM	DATE 2008/04/11			
		3 PLACES ± --- ± ---		APPROVED BY BINGHAM	DATE 2008/04/11			
		2 PLACES ± 0.15 ± ---		MATERIAL NO. <b>SEE SHT.2</b>				
1 PLACE ± 0.25 ± ---		SHEET NO. <b>1 OF 2</b>						
0 PLACE ± --- ± ---		DRAFT WHERE APPLICABLE MUST REMAIN WITHIN DIMENSIONS		THIS DRAWING CONTAINS INFORMATION THAT IS PROPRIETARY TO MOLEX INCORPORATED AND SHOULD NOT BE USED WITHOUT WRITTEN PERMISSION				

M/N 76135-( )	-**0*	-**1*	-**2*	-**3*	-**4*	-**5*	-**6*	-**7*	-**8*
KEYING PIN ORIENTATION									

76135 - \* \* \* \*

CONTACT LOAD  
(PIN HEIGHT)  
1 & 6 = 4.75  
2 & 7 = 6.25  
3 & 8 = 4.25  
4 & 9 = 5.15

NUMBER OF COLUMNS/PLATING  
10 = 10 COLUMN MATTE TIN (FORMERLY TIN/LEAD)  
25 = 25 COLUMN MATTE TIN (FORMERLY TIN/LEAD)  
60 = 10 COLUMN MATTE TIN  
75 = 25 COLUMN MATTE TIN  
90 = 10 COLUMN MATTE TIN  
85 = 25 COLUMN MATTE TIN



PART NUMBER	COLUMN	NUMBER OF SIGNAL PIN	NUMBER OF SHIELD	A	B	M	GOLD THICKNESS MICROMETER	TIN THICKNESS MICROMETER
<b>76135-60*1</b>	10	80	10	27.00	18.00	4.75	0.25 MAPS	0.76-1.52
76135-0*1							0.76	
76135-0*6							1.27	
<b>76135-75*1</b>	25	200	25	57.00	48.00	6.25	0.25 MAPS	
76135-5*1							0.76	
76135-5*6							1.27	
<b>76135-60*2</b>	10	80	10	27.00	18.00	4.25	0.25 MAPS	
76135-0*2							0.76	
76135-0*7							1.27	
<b>76135-75*2</b>	25	200	25	57.00	48.00	6.25	0.25 MAPS	
76135-5*2							0.76	
76135-5*7							1.27	
<b>76135-60*3</b>	10	80	10	27.00	18.00	5.15	0.25 MAPS	
76135-0*3							0.76	
76135-0*8							1.27	
<b>76135-75*3</b>	25	200	25	57.00	48.00	6.25	0.25 MAPS	
76135-5*3							0.76	
76135-5*8							1.27	
<b>76135-60*4</b>	10	80	10	27.00	18.00	4.75	0.25 MAPS	
76135-0*4							0.76	
76135-0*9							1.27	
<b>76135-75*4</b>	25	200	25	57.00	48.00	6.25	0.25 MAPS	
76135-5*4							0.76	
76135-5*9							1.27	

SEE SHEET 1 EC NO: UCP2013-0687 DRWNS:DANNELLEY 2010/03/08 CHKD:JMELTON 2010/03/08 APPR:SMILLER	QUALITY SYMBOLS	GENERAL TOLERANCES (UNLESS SPECIFIED)	DIMENSION STYLE	SCALE	DESIGN UNITS	THIRD ANGLE PROJECTION
	▽=0	mm INCH	MM ONLY	3:1	METRIC	
	▽=0	4 PLACES ± --- ± ---	DRAWN BY DATE	TITLE		
	▽=0	3 PLACES ± --- ± ---	JJONIAK 2008/04/11	VHDM H-SERIES 8 ROW SIGNAL END BACKPLANE SALES DRAWING		
	▽=0	2 PLACES ± 0.15 ± ---	CHECKED BY DATE			
	1 PLACE ± 0.25 ± ---	BINGHAM 2008/04/11				
	0 PLACE ± --- ± ---	APPROVED BY DATE	MATERIAL NO.	DOCUMENT NO.	SHEET NO.	
		BINGHAM 2008/04/11	SEE TABLE	SD-76135-001	2 OF 2	
			ANGULAR ±1/2°	THIS DRAWING CONTAINS INFORMATION THAT IS PROPRIETARY TO MOLEX INCORPORATED AND SHOULD NOT BE USED WITHOUT WRITTEN PERMISSION		