

6

5

4

3

2

1

D

D

C

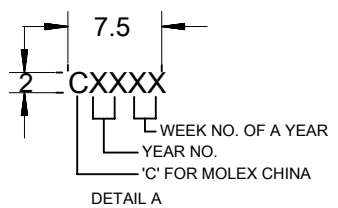
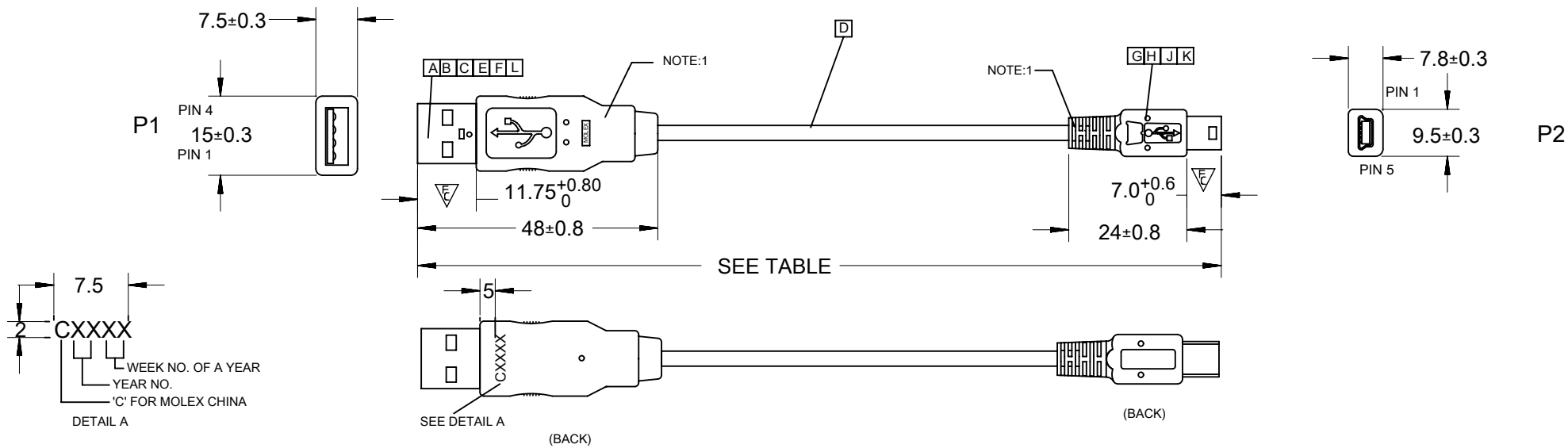
C

B

B

A

A



ITEM	DESCRIPTION	L	QTY.
L	COPPER FOIL 887801083		1
K	COPPER FOIL 887801114		1
J	USB SERIES MINI-B PLG COVER SHIELD 675460000		1
H	USB SERIES MINI-B PLG SHIELD CASE 675450000		1
G	MINI-B PLG HSG&TERMINAL SUB-ASS'Y 675420008		1
F	TERMINAL (AWG24) (SEE TABLE)		2
E	TERMINAL (AWG28) (SEE TABLE)		2
D	USB2.0 #28/#24 ; CABLE(SEE TABLE)		
C	REAR SHELL 887809084		1
B	FRONT SHELL 887809083		1
A	CRIMP HOUSING 887809086		1

SHELL	SHELL	SHIELDING	BRAID WIRE
4	5	GROUND	BLACK
3	3	+DATA	GREEN
2	2	-DATA	WHITE
1	1	VCC	RED
P 1	P 2	SIGNAL NAME	WIRE COLOR

WIRE DIAGRAM

FUNCTIONAL SYMBOLS	THIS DRAWING CONTAINS INFORMATION THAT IS PROPRIETARY TO MOLEX ELECTRONIC TECHNOLOGIES, LLC AND SHOULD NOT BE USED WITHOUT WRITTEN PERMISSION				
$\nabla/A = 0$ $\nabla/E = 2$ $\nabla/F = 0$	DIMENSION UNITS	SCALE	CURRENT REV DESC: OBSOLETE PART NUMBER AS PER PCN#509451		
	mm	NTS	EC NO: 686785 DRWN: SUGEEB 2021/09/23 CHK'D: GGA 2022/02/28 APPR: GGA 2022/02/28		
	GENERAL TOLERANCES (UNLESS SPECIFIED)				
DIVISIONAL SYMBOLS		MM	INCH	INITIAL REVISION: DRWN: JFZHENG 2006/01/07 APPR: DQLUO 2006/01/07	
	4 PLACES	±	±		
	3 PLACES	±	±		
	2 PLACES	±	±		
	1 PLACE	±	±		
0 PLACES	±	±			
	ANGULAR TOL	± 0.5 °			
DRAFT WHERE APPLICABLE MUST REMAIN WITHIN DIMENSIONS			THIRD ANGLE PROJECTION	DRAWING	SERIES
				A4-SIZE	88732

USB2.0, A TO MINIB CABLE ASSY

PRODUCT CUSTOMER DRAWING

DOCUMENT NUMBER	DOC TYPE	DOC PART	REVISION
SD-887328500	PSD	001	C1
MATERIAL NUMBER	CUSTOMER	SHEET NUMBER	
887-328X-0X	GENERAL MARKET	1 OF 2	

DOCUMENT STATUS	P1	RELEASE DATE	2022/02/28	11:53:58
-----------------	----	--------------	------------	----------

6

5

4

3

2

1

## NOTE:

## 1. MOLDED PVC RESIN.CABLE P/N &amp; COLOR AS TABLE

WHITE	887800043	887808233	WHITE
BEIGE	887800059	887808244	BEIGE
BLACK	887800019	887808563	BLACK
BLACK	887800019	887808236	BLACK
BLACK	887800019	887808248	BLACK
FROST WITHE	887800043	887808243	FROST WITHE
RESIN COLOR	RESIN P/N	CABLE P/N	CABLE COLOR

## 2. STICK UL LABEL ON EACH CARTON.

## ELECTRICAL PERFORMANCE:

ALL TEST DUABILITY:0.01 SEC.

1. DIELECTRONIC STRENGTH:500V DC
2. INSULATION RESISTANCE:100M OHMS MIN.
3. CONDUCTIVE RESISTANCE: 3 OHMS MAX.

## 3. PUT COC AND INSPECTION REPORT IN EVERY CARTON ( ONLY APPLY FOR 887328705)

## 4.ALL COMPONENTS MUST MEET RoHS COMPLIANCE

## TABLE

88732-8902	2000±30	USB_A TO MINI_B 2.0 VER	88780-8248	88780-9091	88780-9090
88732-8802	1800±30	USB_A TO MINI_B 2.0 VER	88780-8248	88780-9091	88780-9090
88732-8702	1500±30	USB_A TO MINI_B 2.0 VER	88780-8248	88780-9091	88780-9090
88732-8602	1000±30	USB_A TO MINI_B 2.0 VER	88780-8248	88794-1218	88794-1217
MX P/N	CABLE LENGTH	DESCRIPTION	CABLE P/N	TERM. E P/N	TERM. F P/N

FUNCTIONAL SYMBOLS	THIS DRAWING CONTAINS INFORMATION THAT IS PROPRIETARY TO MOLEX ELECTRONIC TECHNOLOGIES, LLC AND SHOULD NOT BE USED WITHOUT WRITTEN PERMISSION					
	DIMENSION UNITS	SCALE		CURRENT REV DESC: OBSOLETE PART NUMBER AS PER PCN#509451		
$\nabla_A = 0$	mm	NTS		GENERAL TOLERANCES (UNLESS SPECIFIED)		
$\nabla_E = 1$		MM	INCH			
$\nabla_F = 0$	4 PLACES	±	±	EC NO: 686785		
DIVISIONAL SYMBOLS	3 PLACES	±	±	DRWN: SUGEEB 2021/09/23		
	2 PLACES	±	±	CHK'D: GGA 2022/02/28		
	1 PLACE	±	±	APPR: GGA 2022/02/28		
	0 PLACES	±	±	INITIAL REVISION:		
	ANGULAR TOL	±	0.5 °	DRWN: JFZHENG 2006/01/07		
	DRAFT WHERE APPLICABLE MUST REMAIN WITHIN DIMENSIONS	THIRD ANGLE PROJECTION		DRAWING	SERIES	
				A4-SIZE	88732	
				MATERIAL NUMBER	CUSTOMER	
				SD-887328500	GENERAL MARKET	
				DOCUMENT NUMBER	DOC TYPE	
				PSD	DOC PART	
				001	REVISION	
				C1	SHEET NUMBER	
				2 OF 2		

DOCUMENT STATUS P1 RELEASE DATE 2022/02/28 11:53:58

6

5

4

3

2

1

D

D

C

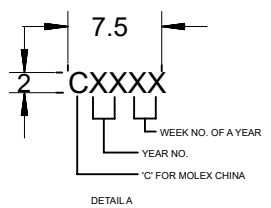
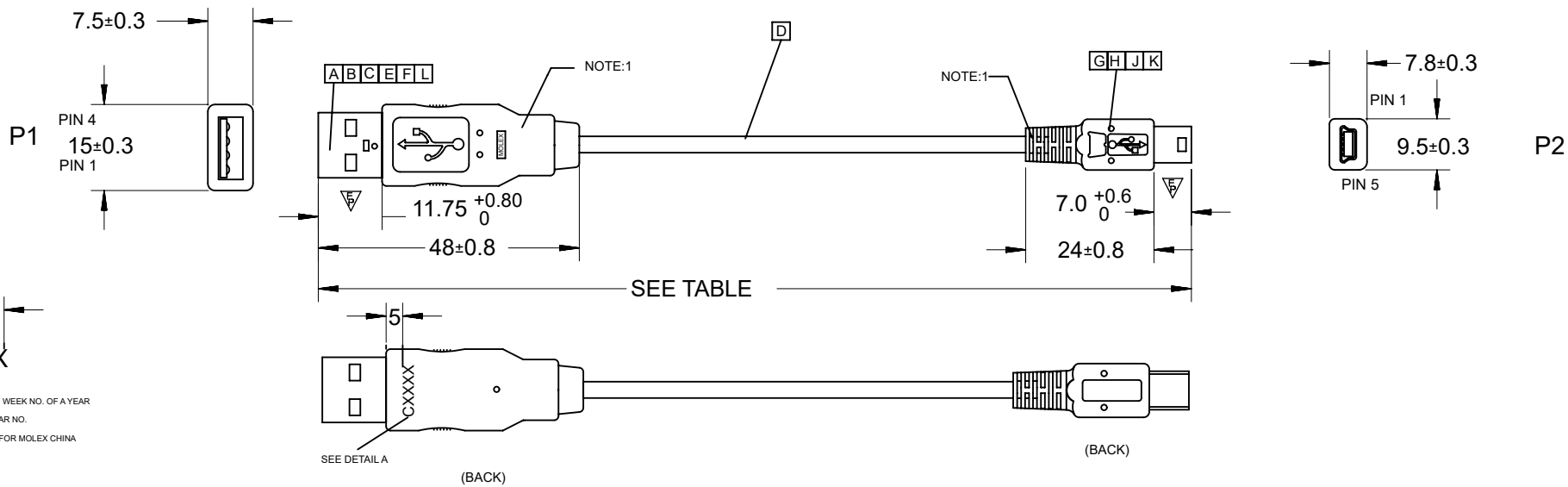
C

B

B

A

A



SHELL	SHELL	SHIELDING	BRAID WIRE
4	5	GROUND	BLACK
3	3	+DATA	GREEN
2	2	-DATA	WHITE
1	1	VCC	RED
P 1	P 2	SIGNAL NAME	WIRE COLOR

ITEM	DESCRIPTION	L	QTY.
L	COPPER FOIL 887801083		1
K	COPPER FOIL 887801114		1
J	USB SERIES MINI-B PLG COVER SHIELD 675460000		1
H	USB SERIES MINI-B PLG SHIELD CASE 675450000		1
G	MINI-B PLG HSG&TERMINAL SUB-ASS'Y 675420008		1
F	TERMINAL (AWG24) (SEE TABLE)		2
E	TERMINAL (AWG28) (SEE TABLE)		2
D	USB2.0 #28/#24 ; CABLE(SEE TABLE)		
C	REAR SHELL 887809084		1
B	FRONT SHELL 887809083		1
A	CRIMP HOUSING 887809086		1

THIS DRAWING CONTAINS INFORMATION THAT IS PROPRIETARY TO MOLEX ELECTRONIC TECHNOLOGIES, LLC AND SHOULD NOT BE USED WITHOUT WRITTEN PERMISSION AS PER PCN#509451

FUNCTIONAL SYMBOLS:  $\nabla/A = 0$ ,  $\nabla/E = 0$ ,  $\nabla/F = 2$

DIMENSION UNITS: mm, NTS

SCALE: NTS

GENERAL TOLERANCES (UNLESS SPECIFIED):

	MM	INCH
4 PLACES	±	±
3 PLACES	±	±
2 PLACES	±	±
1 PLACE	±	±
0 PLACES	±	±
ANGULAR TOL	± 0.5 °	

DRAFT WHERE APPLICABLE MUST REMAIN WITHIN DIMENSIONS

THIRD ANGLE PROJECTION

DRAWING: A4-SIZE

SERIES: 88732

CURRENT REV DESC: OBSOLETE PART NUMBER

EC NO: 686785

DRWN: SUGEEB 2021/09/23

CHK'D: GGA 2022/02/28

APPR: GGA 2022/02/28

INITIAL REVISION:

DRWN: JFZHENG 2006/01/07

APPR: DQLUO 2006/01/07

DOCUMENT NUMBER: SD-887328900

DOC TYPE: PSD

DOC PART: 001

REVISION: A1

MATERIAL NUMBER: 887-328X-0X

CUSTOMER: GENERAL MARKET

SHEET NUMBER: 1 OF 2

DOCUMENT STATUS	P1	RELEASE DATE	2022/02/28	11:53:59
-----------------	----	--------------	------------	----------

6

5

4

3

2

1

NOTE:

1. MOLDED PVC RESIN.CABLE.P/N & COLOR AS TABLE

WHITE	887800043	887808233	WHITE
BEIGE	887800059	887808244	BEIGE
BLACK	887800019	887808563	BLACK
BLACK	887800019	887808236	BLACK
BLACK	887800019	887808248	BLACK
FROST WITHE	887800043	887808243	FROST WITHE
RESIN COLOR	RESIN P/N	CABLE P/N	CABLE COLOR

2. STICK UL LABEL ON EACH CARTON.

 ELECTRICAL PERFORMANCE:


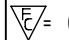

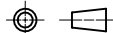
ALL TEST DUABILITY:0.01 SEC.

1. DIELECTRONIC STRENGTH:500V DC
2. INSULATION RESISTANCE:100M OHMS MIN.
3. CONDUCTIVE RESISTANCE: 3 OHMS MAX.

3. PUT COC AND INSPECTION REPORT IN EVERY CARTON ( ONLY APPLY FOR 887328705)
4. ALL COMPONENTS MUST MEET RoHS COMPLIANCE

TABLE

88732-8902	2000±30	USB_A TO MINI_B 2.0 VER	88780-8248	88780-9091	88780-9090
88732-8802	1800±30	USB_A TO MINI_B 2.0 VER	88780-8248	88780-9091	88780-9090
88732-8702	1500±30	USB_A TO MINI_B 2.0 VER	88780-8248	88780-9091	88780-9090
88732-8602	1000±30	USB_A TO MINI_B 2.0 VER	88780-8248	88794-1218	88794-1217
MX P/N	CABLE LENGTH	DESCRIPTION	CABLE P/N	TERM. E P/N	TERM. F P/N

FUNCTIONAL SYMBOLS	THIS DRAWING CONTAINS INFORMATION THAT IS PROPRIETARY TO MOLEX ELECTRONIC TECHNOLOGIES, LLC AND SHOULD NOT BE USED WITHOUT WRITTEN PERMISSION						
	DIMENSION UNITS	SCALE		CURRENT REV DESC: OBSOLETE PART NUMBER AS PER PCN#509451			
 = 0	mm	NTS		<b>molex</b>  USB2.0, A TO MINIB CABLE ASSY  PRODUCT CUSTOMER DRAWING			
 = 0	GENERAL TOLERANCES (UNLESS SPECIFIED)					EC NO: 686785	
		MM	INCH			DRWN: SUGEEB 2021/09/23	
 = 1	4 PLACES	±	±			2022/02/28	
DIVISIONAL SYMBOLS	3 PLACES	±	±	2022/02/28			
	2 PLACES	±	±	2022/02/28			
	1 PLACE	±	±	INITIAL REVISION:			
	0 PLACES	±	±	DRWN: JFZHENG 2006/01/07			
	ANGULAR TOL	±	0.5 °	APPR: GGA 2022/02/28			
	DRAFT WHERE APPLICABLE MUST REMAIN WITHIN DIMENSIONS		THIRD ANGLE PROJECTION	DRAWING	SERIES		
				A4-SIZE	88732		
	DOCUMENT NUMBER	DOC TYPE	DOC PART	REVISION			
	SD-887328900	PSD	001	A1			
	MATERIAL NUMBER	CUSTOMER		SHEET NUMBER			
	887-328X-0X	GENERAL MARKET		2 OF 2			

DOCUMENT STATUS	P1	RELEASE DATE	2022/02/28	11:53:59
-----------------	----	--------------	------------	----------