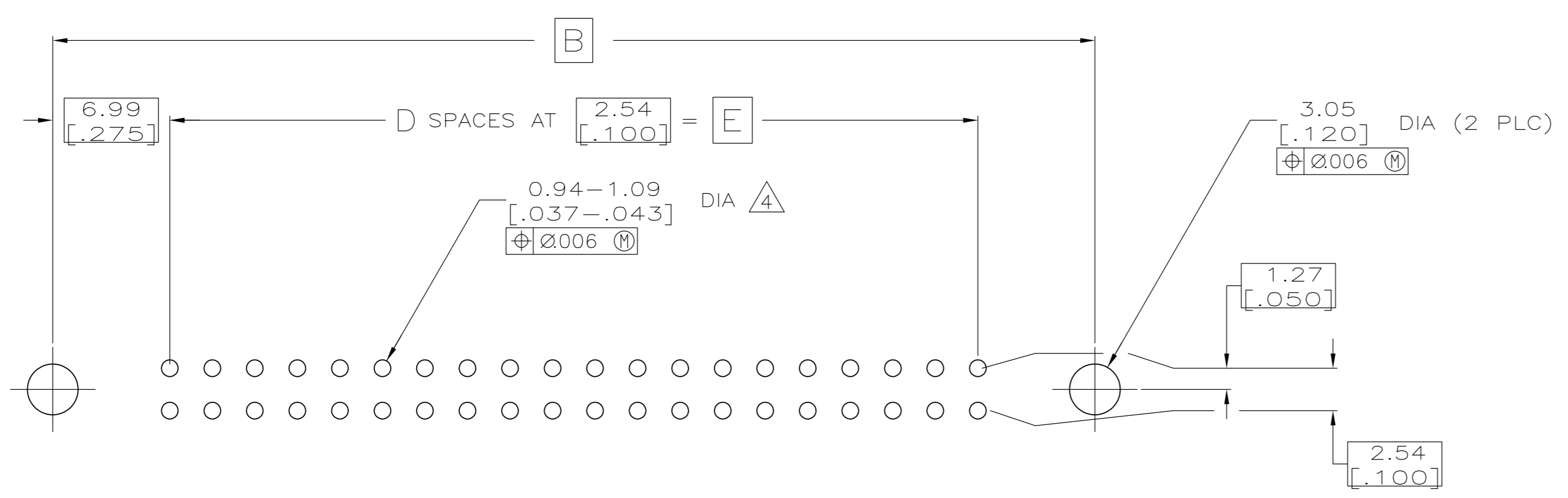
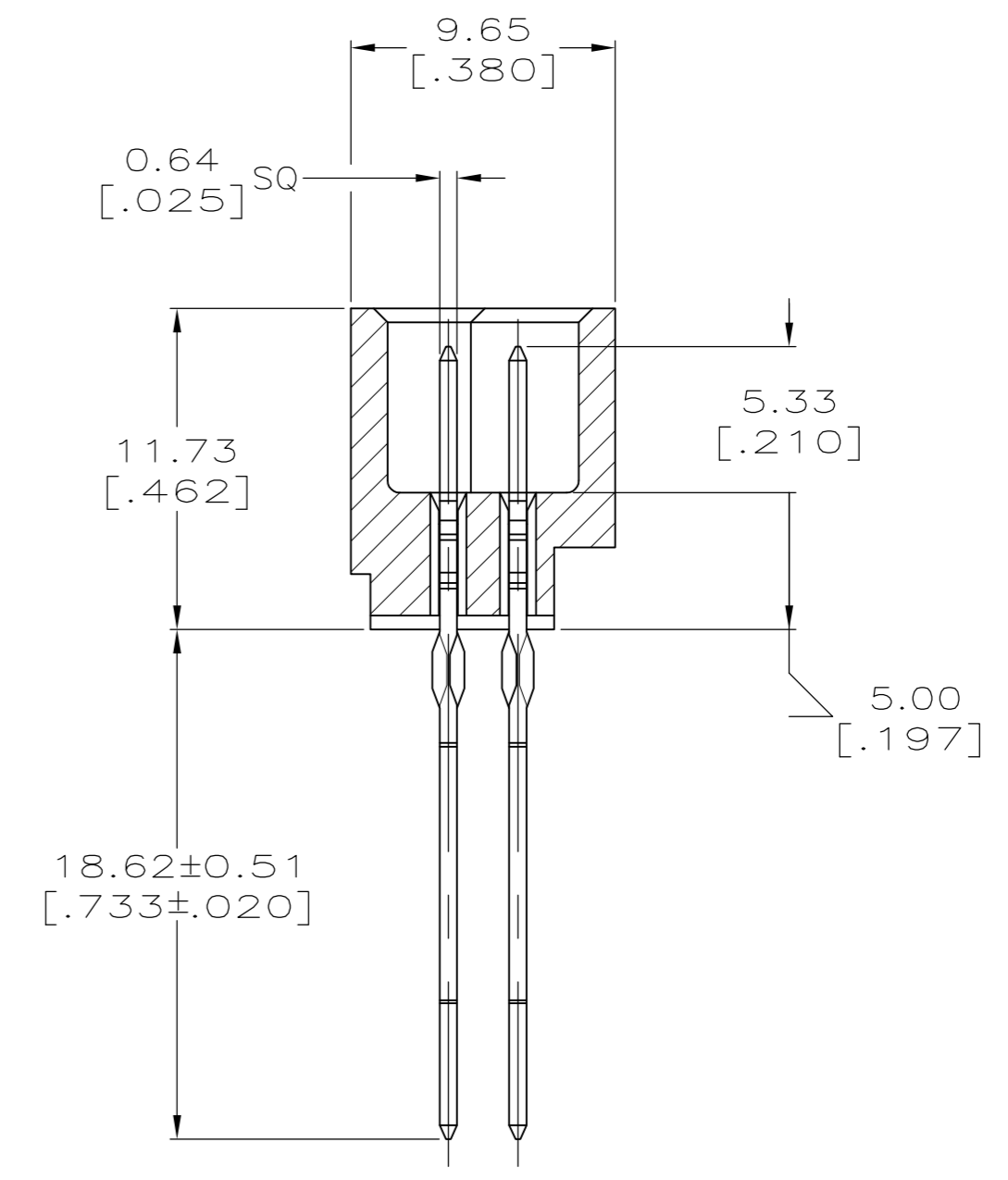
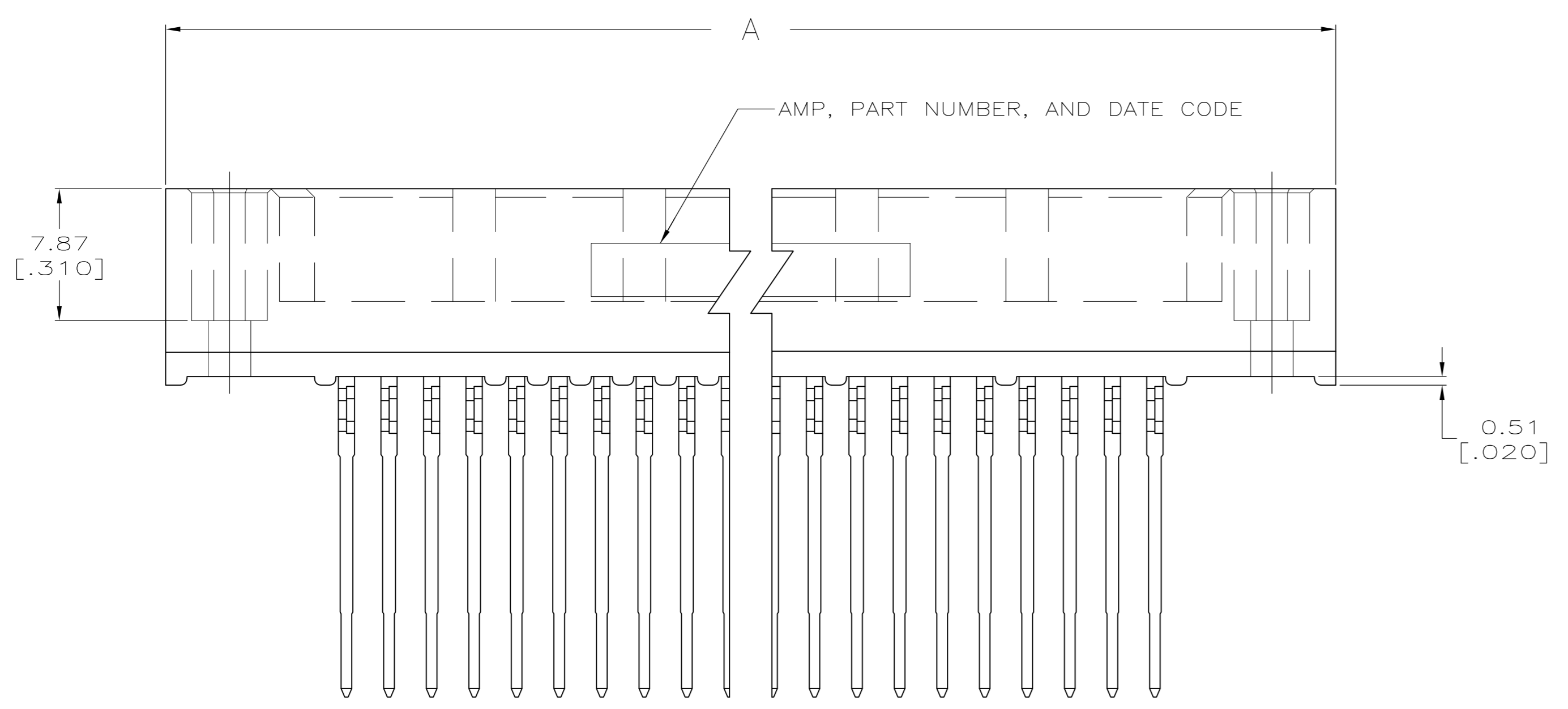
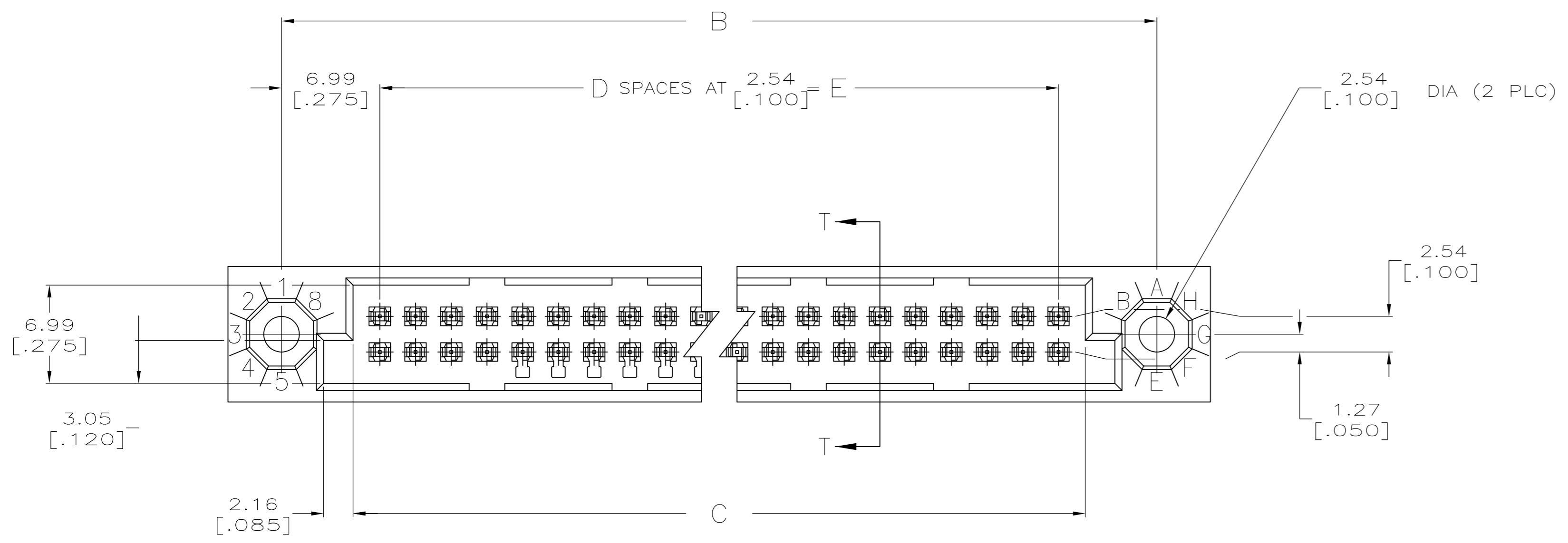


REVISIONS					
P	LTR	DESCRIPTION	DATE	DWN	APVD
J		REVISED PER ECO-15-015252	11NOV2015	BJ	FY
J1		REVISED PER ECO-16-003656	10MAR2016	B.J	S.Y



RECOMMENDED P.C. BOARD LAYOUT

THIS DRAWING IS A CONTROLLED DOCUMENT.		DWN: R.K. SEIFRIED 03/23/90	TE Connectivity
DIMENSIONS: INCHES		CHK: F. KIBLER 8-17-92	
TOLERANCES UNLESS OTHERWISE SPECIFIED:		APVD: DAVE HOFFMAN 8-17-92	NAME: HDI, 2 ROW, PIN ASSEMBLY, 18.62 [.733] LONG ACTION PINS
0 PLC ± -	1 PLC ± -	2 PLC ± -	3 PLC ± 0.13 [.005]
4 PLC ± -	ANGLES ± -	APPLICATION SPEC	
MATERIAL:	FINISH:	SIZE: A1	CAGE CODE: 00779
CUSTOMER DRAWING		SCALE: 4:1	SHEET 1 OF 2

REVISIONS					
P	LTR	DESCRIPTION	DATE	DMN	APVO
-		SEE SHEET 1	-	-	-

- ① HOUSING MATERIAL: THERMOPLASTIC, COLOR-NATURAL.
- ② CONTACT MATERIAL: PHOSPHOR BRONZE.
- ③ FINISH:
MATING AREA: MEETS THE PERFORMANCE REQUIREMENTS OF PRODUCT SPECIFICATION 108-9063; BASED ON TELCORDIA DR-1217-CORE APPLICATIONS IN UNCONTROLLED ENVIRONMENTS.
TIN-LEAD PLATED POSTS.
- ④ ACTION PIN POSTS REQUIRE 2.36 [.093] MIN THICK P.C. BOARD. RECOMMENDED P.C. BOARD HOLES ARE 1.151 [.0453] DIA PLATED THRU WITH 0.025-0.076 [.001-.003] COPPER, WITH 0.0076 [.0003] MIN TIN-LEAD PLATING; FINISHED HOLE AFTER PLATING 0.94-1.09 [.037-.043] DIA.
- 5. DIMENSIONS IN BRACKETS ARE IN INCHES.
- ⑥ PART NUMBER IS OBSOLETE.

⑥	---	---	---	---	---	---	1-532429-9
⑥	---	---	---	---	---	---	1-532429-8
⑥	---	---	---	---	---	---	1-532429-7
⑥	---	---	---	---	---	---	1-532429-6
⑥	---	---	---	---	---	---	1-532429-5
	187.96 [7.400]	74	191.77 [7.550]	201.93 [7.950]	209.55 [8.250]	150	1-532429-4
⑥	175.26 [6.900]	69	179.07 [7.050]	189.23 [7.450]	196.85 [7.750]	140	1-532429-3
⑥	---	---	---	---	---	---	1-532429-2
⑥	---	---	---	---	---	---	1-532429-1
⑥	---	---	---	---	---	---	1-532429-0
⑥	---	---	---	---	---	---	532429-9
⑥	---	---	---	---	---	---	532429-8
⑥	---	---	---	---	---	---	532429-7
⑥	86.36 [3.400]	34	90.17 [3.550]	100.33 [3.950]	107.95 [4.250]	70	532429-6
	73.66 [2.900]	29	77.47 [3.050]	87.63 [3.450]	95.25 [3.750]	60	532429-5
⑥	---	---	---	---	---	---	532429-4
⑥	---	---	---	---	---	---	532429-3
⑥	---	---	---	---	---	---	532429-2
⑥	---	---	---	---	---	---	532429-1
	E	D	C	B	A	POSN	PART NUMBER

THIS DRAWING IS A CONTROLLED DOCUMENT.

DIMENSIONS: INCHES 0 PLC ± - 1 PLC ± - 2 PLC ± - 3 PLC ± 0.13 [.005] 4 PLC ± - ANGLES ± -	TOLERANCES UNLESS OTHERWISE SPECIFIED: 0 PLC ± - 1 PLC ± - 2 PLC ± - 3 PLC ± 0.13 [.005] 4 PLC ± - ANGLES ± -	DWG: R. K. SEIFRIED 8-17-92 CHK: F. KIBLER 8-17-92 APVO: DAVE HOFFMAN 8-17-92 PRODUCT SPEC APPLICATION SPEC	NAME: HDI, 2 ROW, PIN ASSEMBLY, 18.62 [.733] LONG ACTION PINS SIZE: A1 CAGE CODE: 00779 DRAWING NO: 532429 RESTRICTED TO: -
--	---	---	---

MATERIAL: ② FINISH: ③ WEIGHT: 0 SCALE: 4:1 SHEET 2 OF 2 REV J1