

SAC-8P- 2,0-680/M12FR FDP - Sensor/actuator cable



1095880

<https://www.phoenixcontact.com/us/products/1095880>

Please be informed that the data shown in this PDF document is generated from our Online Catalog. Please find the complete data in the user documentation. Our General Terms of Use for Downloads are valid.



Sensor/actuator cable, 8-position, PVC, gray, shielded, free cable end, on Socket angled M12, coding: A, cable length: 2 m, Foil shielding plus drain wire

Commercial Data

Item number	1095880
Packing unit	1 pc
Note	Made to Order (non-returnable)
Sales Key	BF13
Product Key	BF1IED
GTIN	4055626928319
Weight per Piece (including packing)	22.22 g
Weight per Piece (excluding packing)	22.22 g
Country of origin	US

Technical Data

Product properties

Product type	Sensor/actuator cable
Number of positions	8
Application	Standard, U.S. cables
No. of cable outlets	1
Shielded	yes
Coding	A

Insulation characteristics

Overvoltage category	II
Degree of pollution	3

Material specifications

Flammability rating according to UL 94	HB
Seal material	NBR
Material of grip body	TPU, hardly inflammable, self-extinguishing
Contact material	CuZn
Contact surface material	Ni/Au
Contact carrier material	TPU GF
Material for screw connection	Zinc die-cast, nickel-plated

Electrical properties

Contact resistance	$\leq 5 \text{ m}\Omega$
Insulation resistance	$\geq 100 \text{ M}\Omega$
Nominal voltage U_N	30 V AC
	30 V DC
Nominal current I_N	2 A
Protective circuit	unwired

Mechanical properties

Mechanical data

Insertion/withdrawal cycles	≥ 100
-----------------------------	------------

Signaling

Status display	No
Status display present	No

Connection data

Conductor connection

Tightening torque	0.4 Nm (M12 connector)
-------------------	------------------------

SAC-8P- 2,0-680/M12FR FDP - Sensor/actuator cable



1095880

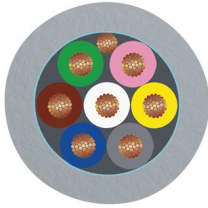
<https://www.phoenixcontact.com/us/products/1095880>

Connector

Connection 2

Coding type	A
-------------	---

Cable/line

Cable length	2 m
Dimensional drawing	
Cable weight	40.55 kg/km
UL AWM Style	2517 (105 °C / 300 V)
Number of positions	7
Shielded	yes
AWG signal line	24
Wire diameter incl. insulation	1.12 mm ±0.03 mm
External cable diameter	5.11 mm ±0.2 mm
Outer sheath, material	PVC
External sheath, color	gray
Conductor material	Tin-plated Cu litz wires
Material wire insulation	PVC (Signal line)
Single wire, color	white, brown, green, yellow, gray, pink, blue
Type of pair shielding	Plastic-coated aluminum foil, aluminum side inside
Overall twist	Conductors, fillers, and drain wire are twisted with left-hand lay
Max. conductor resistance	max. 80.2 Ω/km (20 °C)
Insulation resistance	≥ (550 M Ohms/m @ 500V)
Nominal voltage, cable	300 V
Minimum bending radius, flexible installation	8 x D
Flame resistance	FT4
Other resistance	UV resistant
Ambient temperature (operation)	-30 °C ... 105 °C (cable, fixed installation)

Environmental and real-life conditions

Ambient conditions

Degree of protection	IP65
	IP67
	IP68
-25 °C ... 90 °C (Plug / socket)	

SAC-8P- 2,0-680/M12FR FDP - Sensor/actuator cable



1095880

<https://www.phoenixcontact.com/us/products/1095880>

Ambient temperature (operation)	-40 °C ... 80 °C (cable, fixed installation)
	-5 °C ... 80 °C (Cable, flexible installation)

Standards and regulations

Standards/specifications	IEC 61076-2-101
--------------------------	-----------------

SAC-8P- 2,0-680/M12FR FDP - Sensor/actuator cable

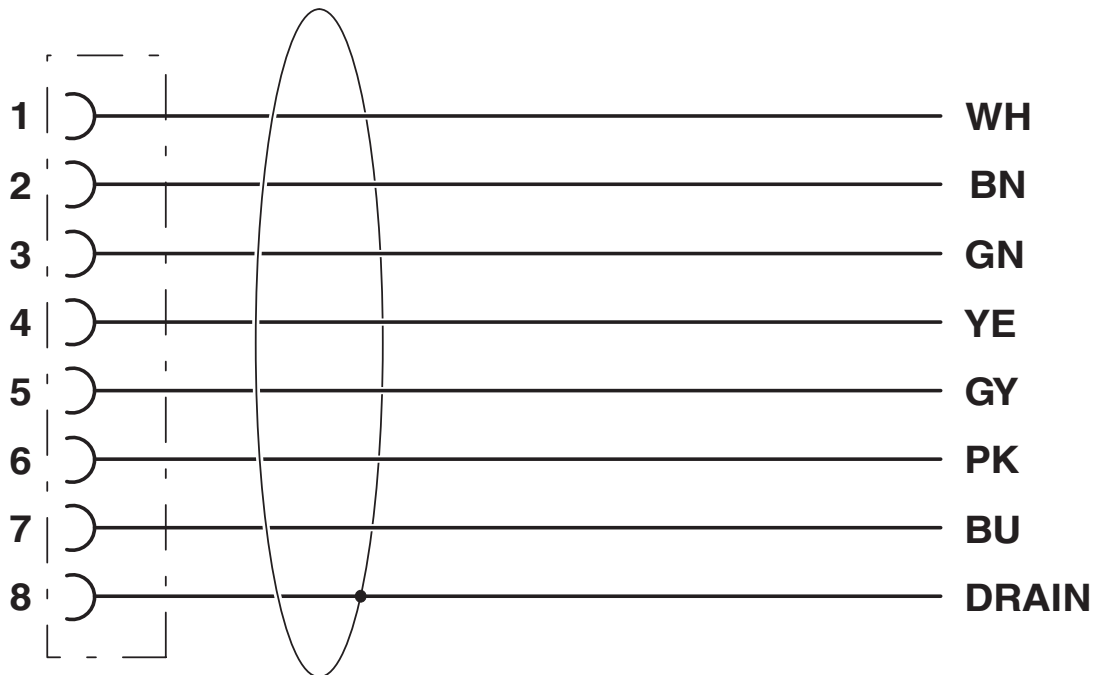


1095880

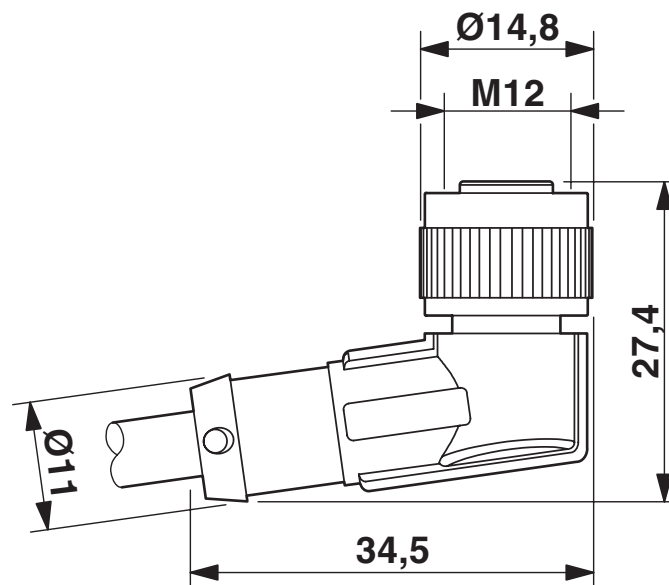
<https://www.phoenixcontact.com/us/products/1095880>

Drawings

Circuit diagram



Dimensional drawing



M12 x 1 socket, angled

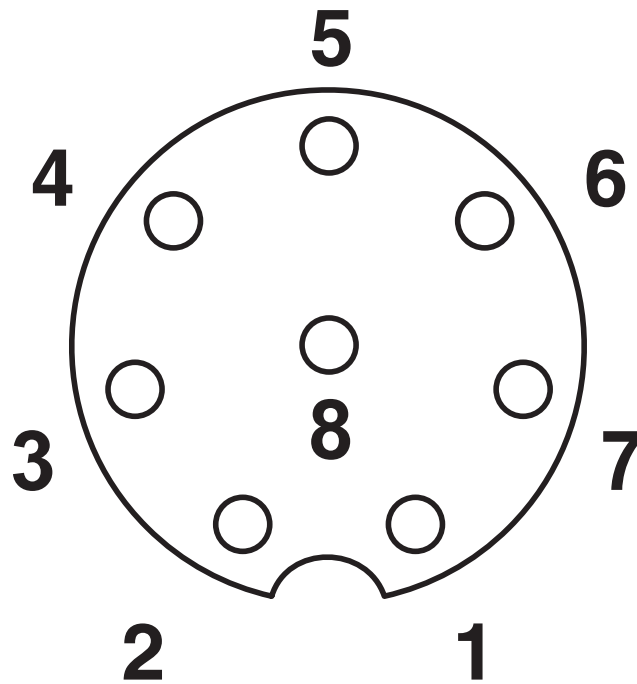
SAC-8P- 2,0-680/M12FR FDP - Sensor/actuator cable



1095880

<https://www.phoenixcontact.com/us/products/1095880>

Schematic diagram



Pin assignment M12 socket, 8-pos., A-coded, view female side

SAC-8P- 2,0-680/M12FR FDP - Sensor/actuator cable




1095880

<https://www.phoenixcontact.com/us/products/1095880>

Approvals

 UL Listed Approval ID: FILE E 221474				
	Nominal Voltage U_N	Nominal Current I_N	Cross Section AWG	Cross Section mm^2
	30 V	2 A	-	-

 cUL Listed Approval ID: FILE E 221474				
	Nominal Voltage U_N	Nominal Current I_N	Cross Section AWG	Cross Section mm^2
	30 V	2 A	-	-

SAC-8P- 2,0-680/M12FR FDP - Sensor/actuator cable



1095880

<https://www.phoenixcontact.com/us/products/1095880>

Classifications

ECLASS

ECLASS-11.0	27060311
ECLASS-12.0	27060311
ECLASS-13.0	27060311

UNSPSC

UNSPSC 21.0	31251501
-------------	----------

SAC-8P- 2,0-680/M12FR FDP - Sensor/actuator cable



1095880

<https://www.phoenixcontact.com/us/products/1095880>

Environmental Product Compliance

REACH SVHC	Lead 7439-92-1
China RoHS	Environmentally Friendly Use Period = 50 years
	For information on hazardous substances, refer to the manufacturer's declaration available under "Downloads"

SAC-8P- 2,0-680/M12FR FDP - Sensor/actuator cable



1095880

<https://www.phoenixcontact.com/us/products/1095880>

Accessories

PROT-M12 FS-PA-CHAIN - Sealing cap

1430873

<https://www.phoenixcontact.com/us/products/1430873>

M12 sealing cap made of plastic with fixing band, for sensor cables, for free M12 plugs



SAC-M12-EXCLIP-M - Locking clip

1558988

<https://www.phoenixcontact.com/us/products/1558988>

Locking clip for the pin side of sensor/actuator cables with M12 connector and M12 connectors for assembly, for knurl diameter: 15 mm or for Allen key with a wrench size of 14 mm, prevents the disconnection of plug-in connections without tools



SAC-8P- 2,0-680/M12FR FDP - Sensor/actuator cable



1095880

<https://www.phoenixcontact.com/us/products/1095880>

PABA WH/23 - Insert label

1013779

<https://www.phoenixcontact.com/us/products/1013779>

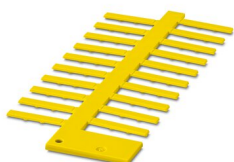


Insert label, Strip, white, unlabeled, can be labeled with: CMS-P1-PLOTTER, mounting type: slide-on, cable diameter range: 1.5 ... 35 mm, lettering field size: 23 x 4 mm, Number of individual labels: 20

PABA YE/23 - Insert label

1013782

<https://www.phoenixcontact.com/us/products/1013782>



Insert label, Strip, yellow, unlabeled, can be labeled with: CMS-P1-PLOTTER, mounting type: slide-on, cable diameter range: 1.5 ... 35 mm, lettering field size: 23 x 4 mm, Number of individual labels: 20

SAC-8P- 2,0-680/M12FR FDP - Sensor/actuator cable

1095880

<https://www.phoenixcontact.com/us/products/1095880>



B-STIFT - Marker pen

1051993

<https://www.phoenixcontact.com/us/products/1051993>



Marker pen, for manual labeling of unprinted Zack strips, smear-proof and waterproof, line thickness 0.5 mm

PROT-M12 MS-PA-CHAIN - Screw plug

1430899

<https://www.phoenixcontact.com/us/products/1430899>

M12 sealing cap with fixing band, for sensor cables, for free M12 sockets



SAC-8P- 2,0-680/M12FR FDP - Sensor/actuator cable



1095880

<https://www.phoenixcontact.com/us/products/1095880>

SAC-M12-EXCLIP-F - Locking clip

1558991

<https://www.phoenixcontact.com/us/products/1558991>



Locking clip for the socket side of sensor/actuator cables with M12 connector and M12 connectors for assembly, for knurl diameter: 15 mm or for Allen key with a wrench size of 14 mm, prevents the disconnection of plug-in connections without tools

TSD 04 SAC - Torque screwdriver

1208429

<https://www.phoenixcontact.com/us/products/1208429>



Torque screwdriver, with preset torque of 0.4 Nm and 4 mm hexagonal drive for M12 connectors

SAC-8P- 2,0-680/M12FR FDP - Sensor/actuator cable



1095880

<https://www.phoenixcontact.com/us/products/1095880>

TSD-M 1,2NM - Torque screwdriver

1212224

<https://www.phoenixcontact.com/us/products/1212224>



Torque screw driver, accuracy as per EN ISO 6789 standard, adjustable from 0.3 - 1.2 Nm

TSD-M SAC-BIT ADAPTER - Adapter insert

1212600

<https://www.phoenixcontact.com/us/products/1212600>



Adapter bit for TSD-M...torque tools, E6.3-1/4" drive with 4 mm hexagon to accommodate SAC bits

SAC-8P- 2,0-680/M12FR FDP - Sensor/actuator cable



1095880

<https://www.phoenixcontact.com/us/products/1095880>

SAC BIT M12-D15 - Tool

1208432

<https://www.phoenixcontact.com/us/products/1208432>



Nut for assembling sensor/actuator cables with M12 connector and M12 connectors for assembly, with a knurl diameter of 15 mm, for 4 mm hexagonal drive

Phoenix Contact 2023 © - all rights reserved

<https://www.phoenixcontact.com>

Phoenix Contact USA
586 Fulling Mill Road
Middletown, PA 17057, United States
(+717) 944-1300
info@phoenixcon.com